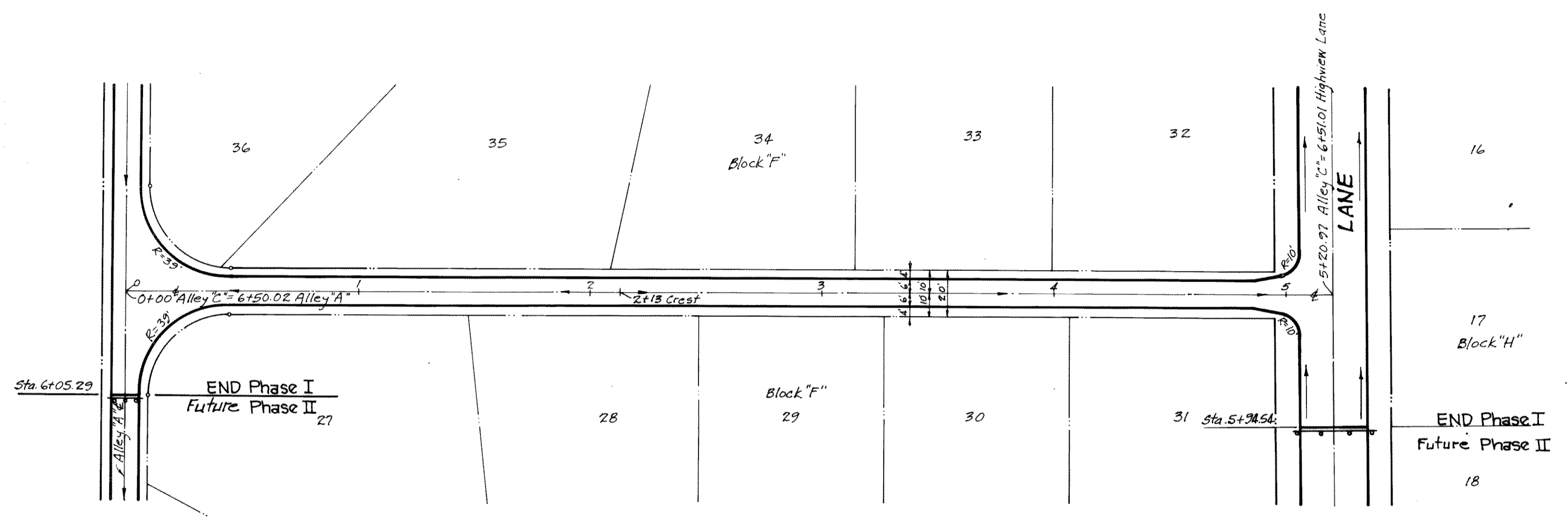


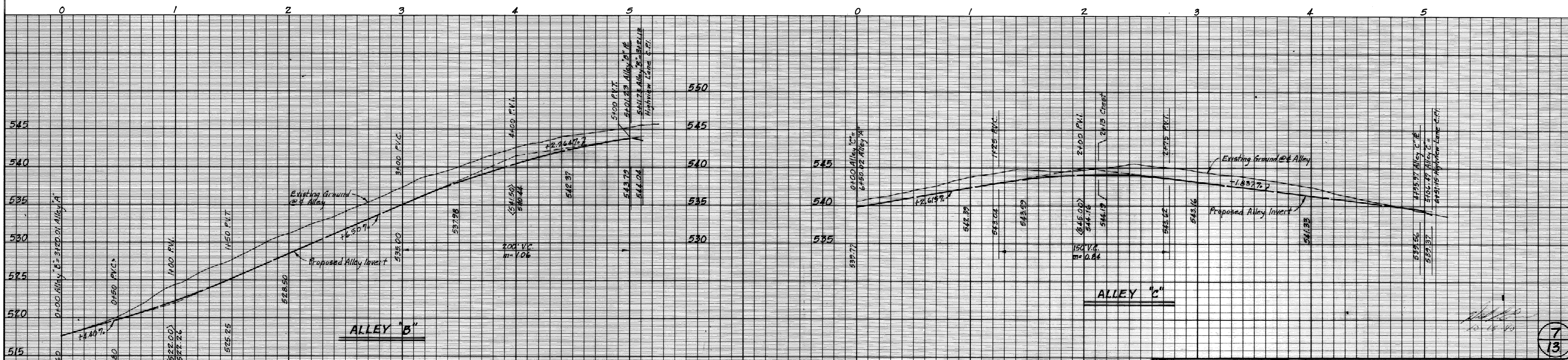
ALLEY "B"
PHASE II



ALLEY "C"
PHASE I



BENCHMARK:
Top-of-Curb at the Northwest corner of the
existing paving on Highway Lane
Elevation 521.21



HAROLD L. EVANS
CONSULTING ENGINEER
2331 GUS THOMASSON RD. SUITE 102
DALLAS, TEXAS 75228
PHONE (214) 328-8133

PAVING PLAN
THE PINNACLE
CITY OF ROCKWALL, ROCKWALL COUNTY, TEXAS
ALLEYS "B" & "C"

SCALE 1"=40' 1"=6' DATE 10-29-90 JOB NO. 90115
Rev. 3-13-91