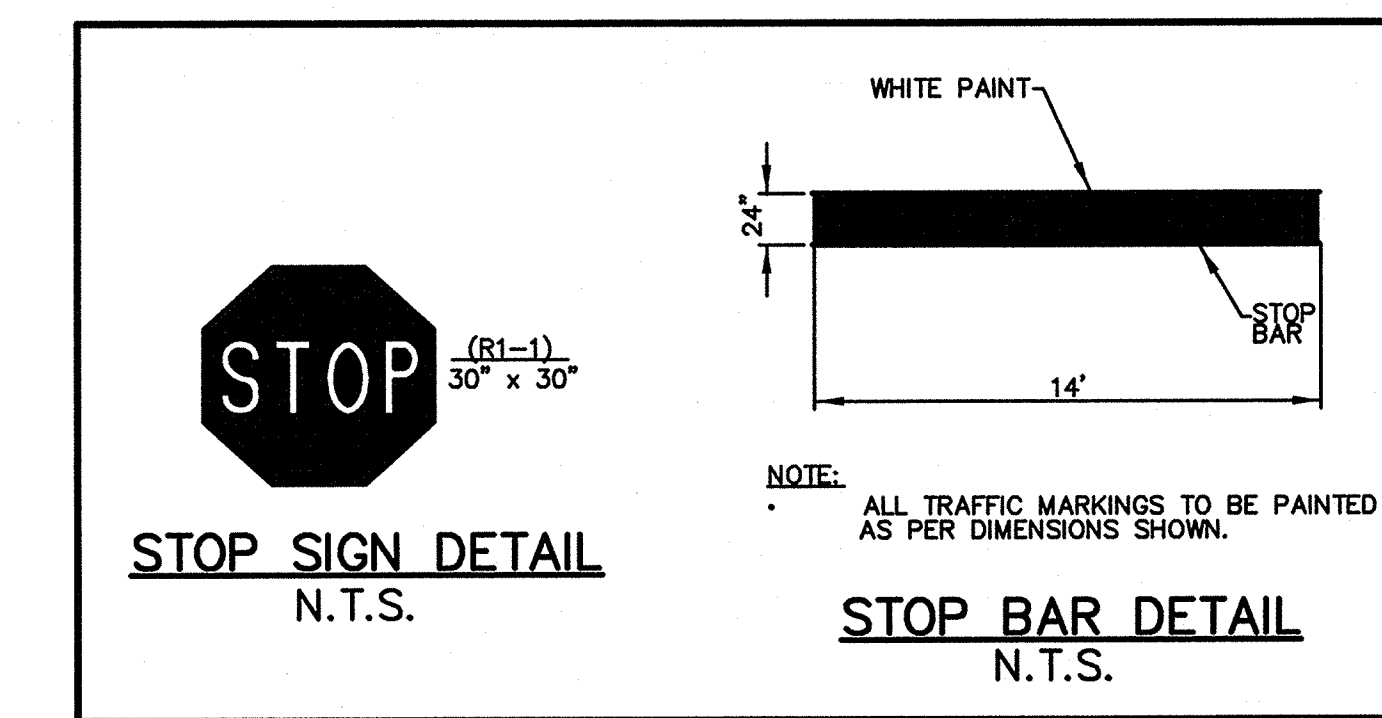
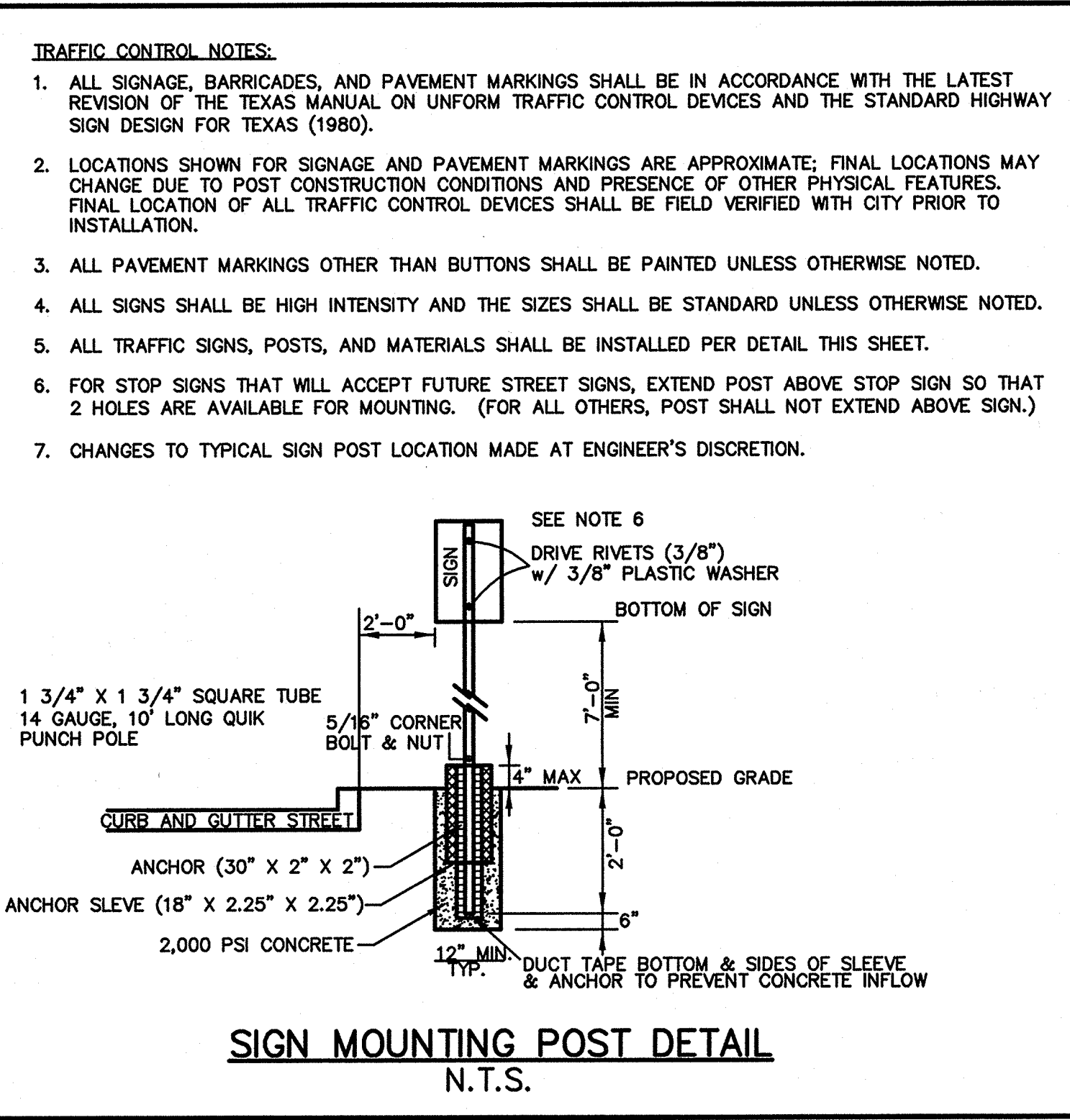
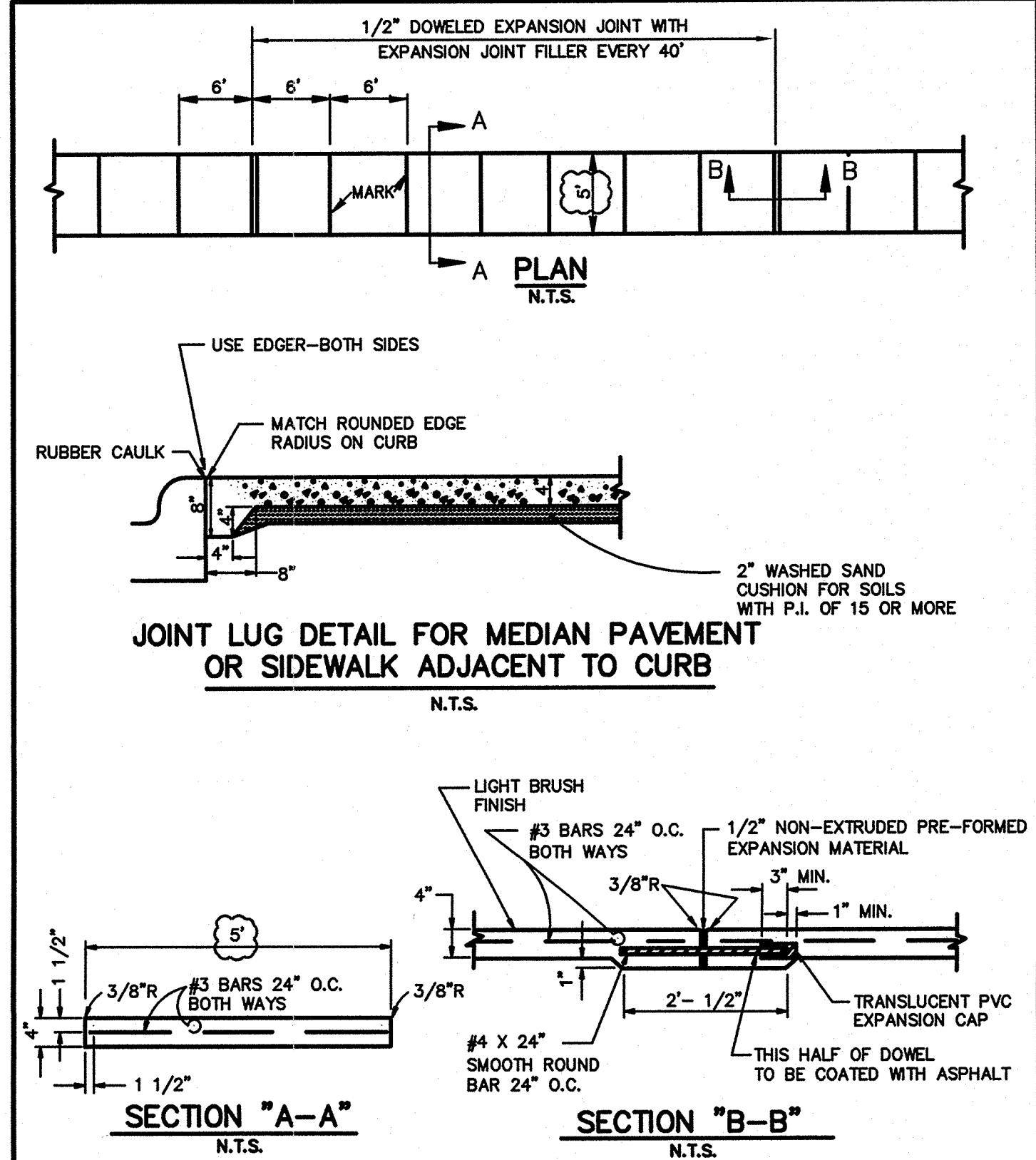


- ① RAMP COLORING AND GROOVING PER CITY OF ROCKWALL STANDARD CONSTRUCTION DETAILS AND SPECIFICATIONS.
- ② 6" TAPERED CURB & GUTTER SECTION (0" CURB TO 6" CURB). MAINTAIN GUTTER FLOWLINE AS REQ'D.
- ③ 4" THICK CONCRETE RAMP, MAXIMUM RUNNING SLOPE 1" PER LF (12:1), #3 REBARS @ 24" O.C.E.W.
- ④ ADJOINING PAVEMENT OR WALK. REF. PAVING PLAN.
- ⑤ MAINTAIN 2% CROSS SLOPE TOWARDS STREET

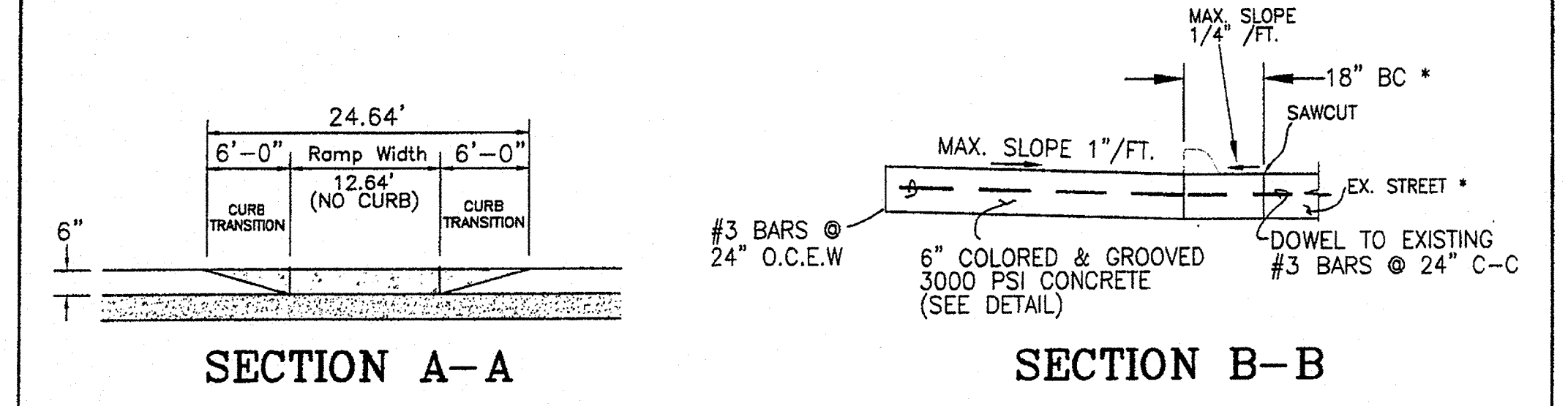
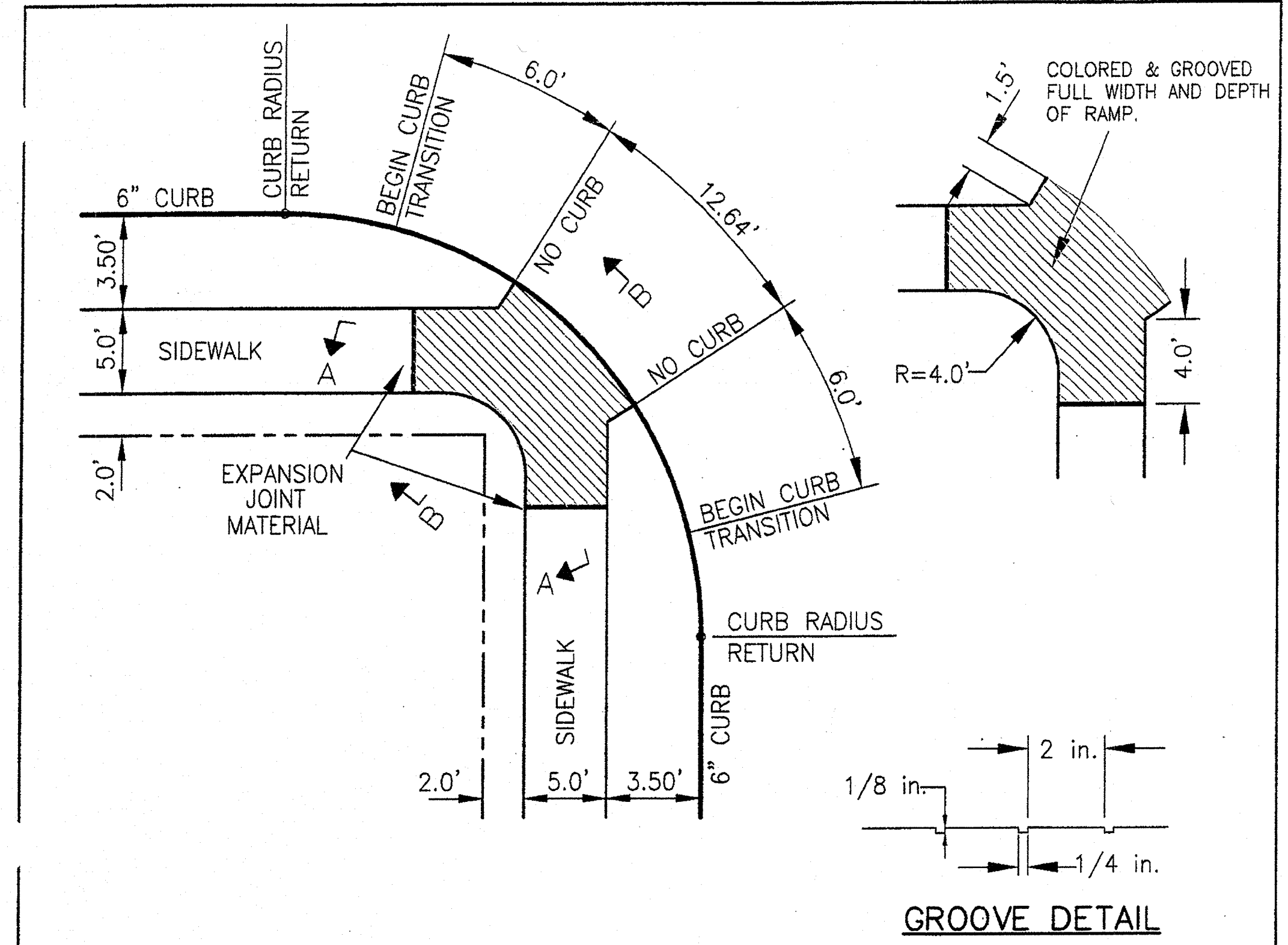
NOTE: ELEVATIONS SHOWN IN THIS DETAIL ARE RELATIVE AND FOR INFORMATIONAL PURPOSES ONLY. ACTUAL ELEVATIONS WILL VARY BASED ON THE SLOPE OF THE ADJACENT ROADWAY



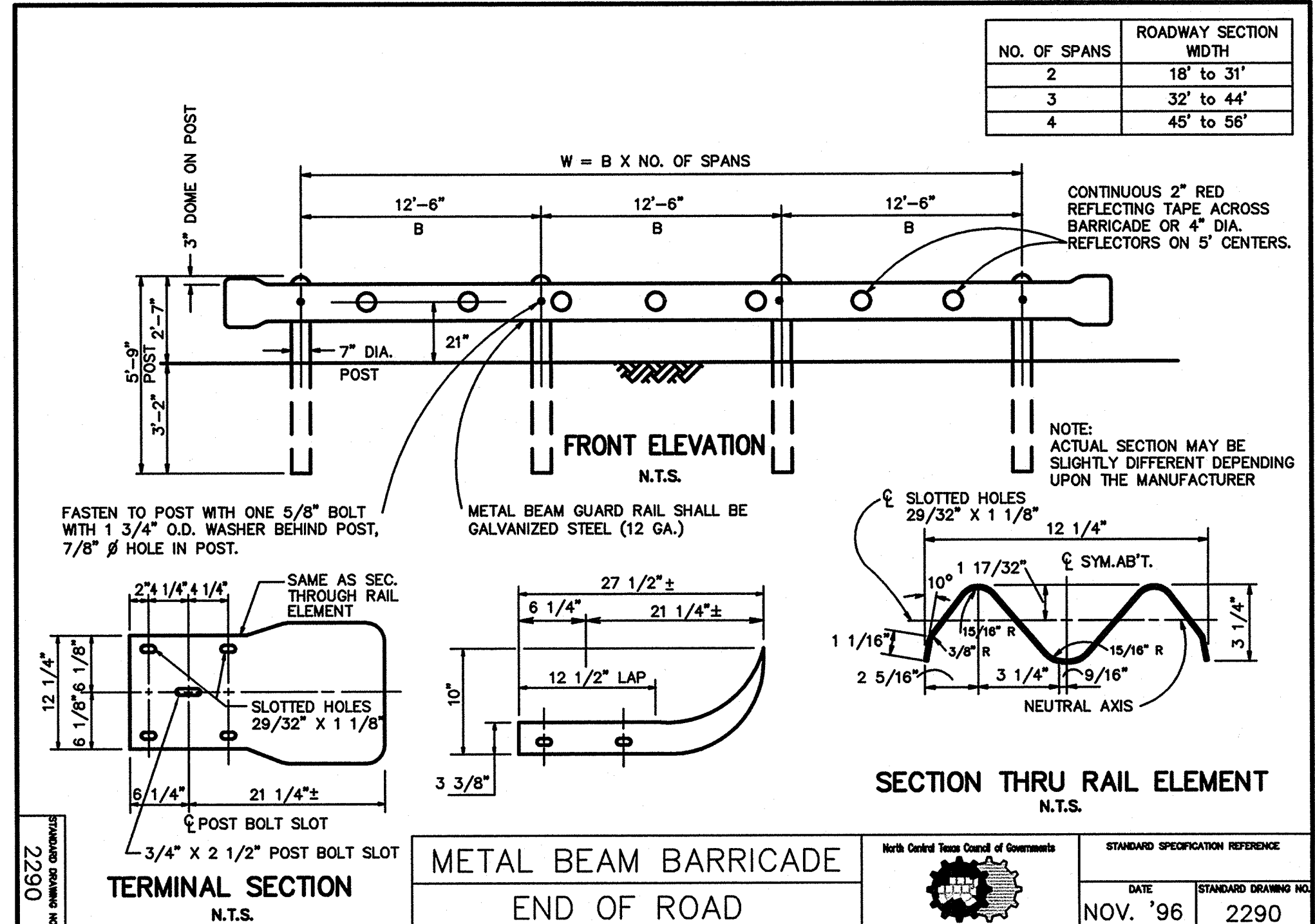
RECORD DRAWING
THIS RECORD DRAWING HEREIN REFLECTS TO THE BEST OF THE DESIGN ENGINEER'S KNOWLEDGE, THE APPROXIMATE LOCATION OF THE CONSTRUCTED WORK, USING INFORMATION AS PROVIDED BY THE CONTRACTORS AND SURVEYED GRADES.



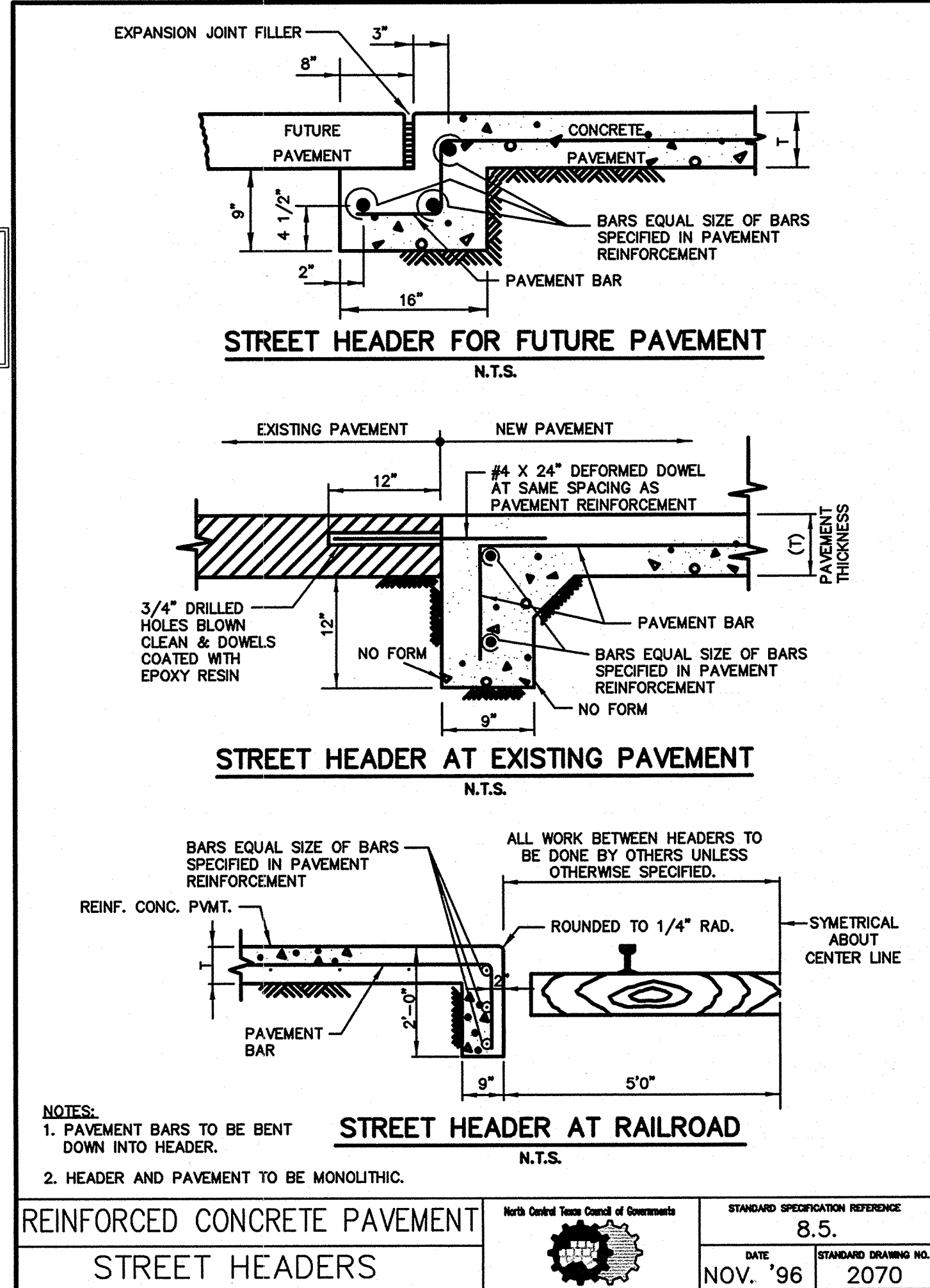
STANDARD SPECIFICATION REFERENCE	DATE	STANDARD DRAWING NO.
8.5	NOV. '96	2170



BARRIER FREE RAMP FOR 5.0' WIDE SIDEWALK RESIDENTIAL STREETS (20' RADIUS)	CITY OF ROCKWALL "THE NEW HORIZON"	SCALE	NONE
		DATE	AUG. '03
		DRAWING NAME	HANDICAP_2



STANDARD SPECIFICATION REFERENCE	DATE	STANDARD DRAWING NO.
8.5	NOV. '96	2290



STANDARD SPECIFICATION REFERENCE	DATE	STANDARD DRAWING NO.
8.5	NOV. '96	2070

Kimley-Horn and Associates, Inc.
Tel. No. (972) 335-3860
Fax No. (972) 335-3779

Pecan Valley Drive and Quail Run Road
City of Rockwall, Texas

PAVING DETAILS

Scale: AS NOTED
Designed by: T.B.B.
Drawn by: J.J.D./B.B.P.
Checked by: P.D.K.
Date: Feb. 27, 2008
Project No. 068237002

SHEET
C-7
OF 47