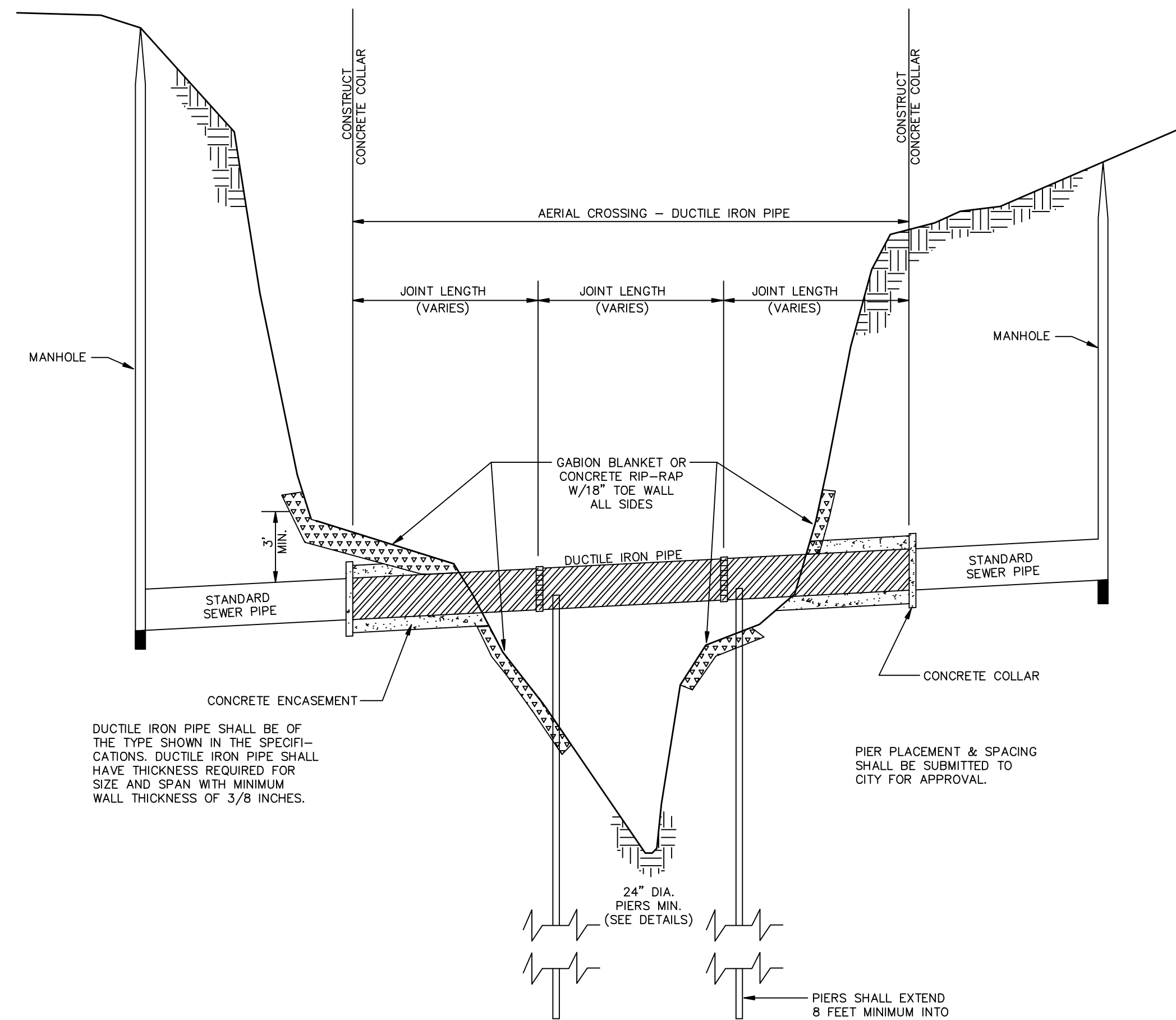


REVISED TO CONFORM TO CONSTRUCTION RECORDS.

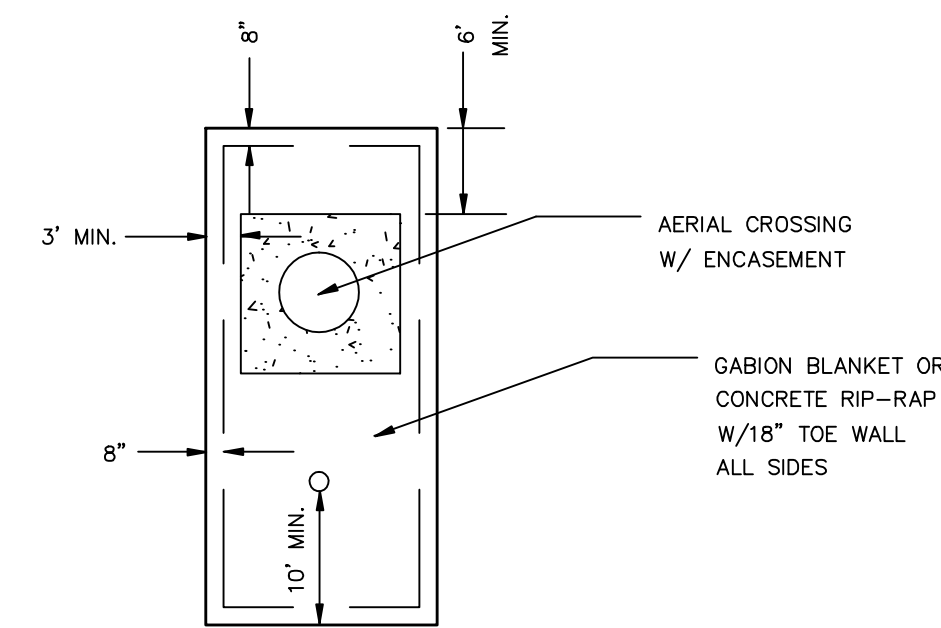
*W. J. Allen* DATE: **MAY 19, 2014**



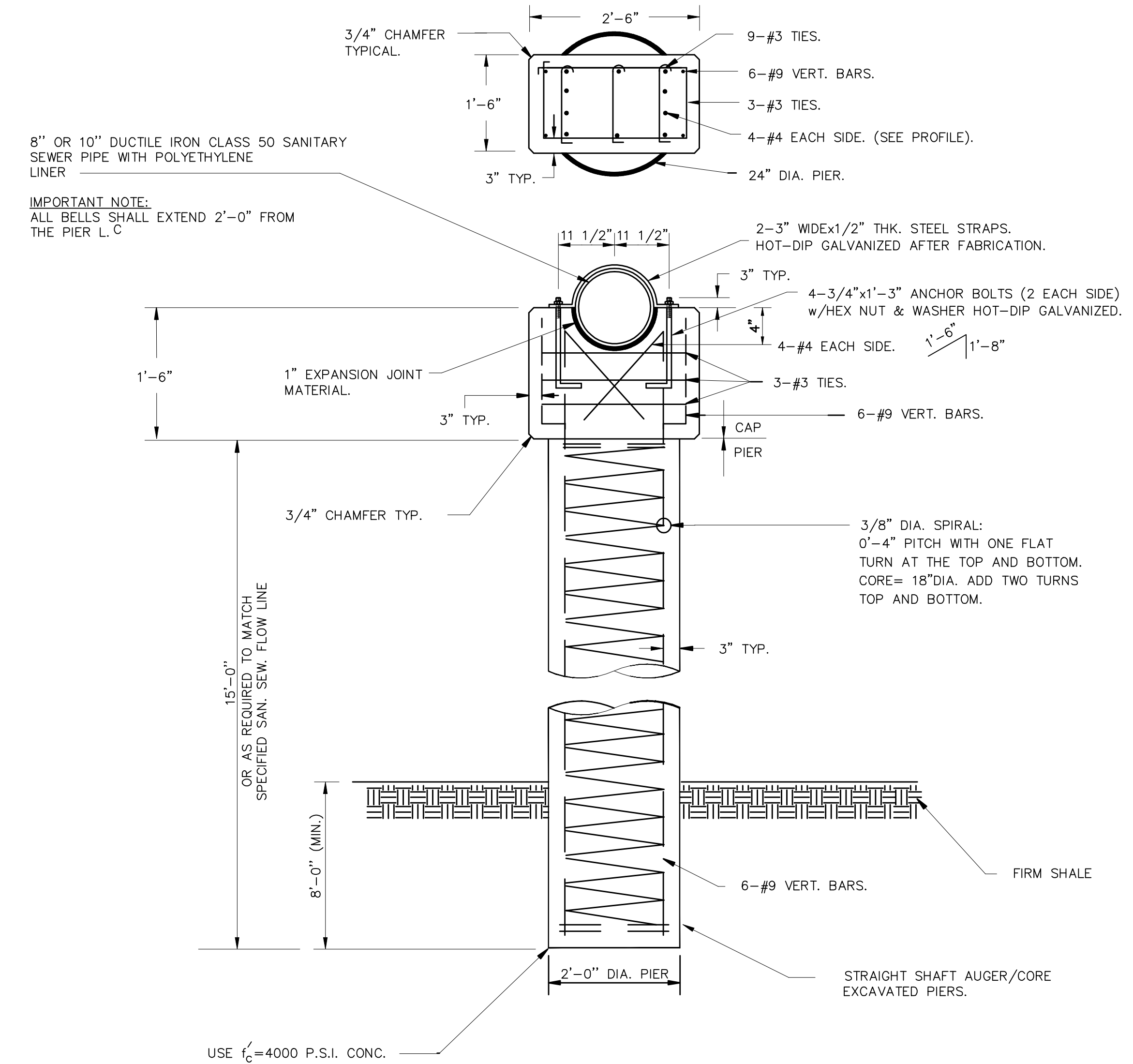
**AERIAL CROSSING DETAIL**  
N.T.S.

MATERIALS SHALL CONFORM TO THE SPECIAL PROVISIONS AND/OR THE STANDARD SPECIFICATIONS.

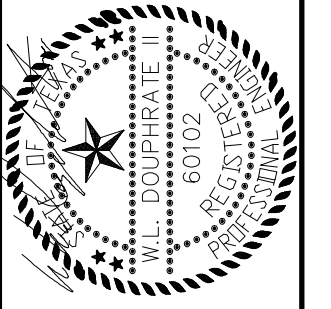
PIPE COUPLINGS SHALL BE PLACED A MAXIMUM OF 5 FEET FROM CENTERLINE OF PIPES.



**BANK PROTECTION (TYP)**  
N.T.S.



**TYPICAL 24" DIAMETER PIER DETAIL FOR AERIAL SANITARY SEWER CREEK CROSSING**  
N.T.S.



THE SEAL APPEARING ON THIS DOCUMENT WAS AUTHORIZED BY THE BOARD OF PROFESSIONAL ENGINEERS, STATE OF TEXAS, LICENSE NO. 60102, F-686, ON DATE, MAY 19, 2014.

**DOUPHRAE & ASSOCIATES, INC.**  
ENGINEERING • PROJECT MANAGEMENT • SURVEYING  
2235 RIDGE RD. # 200 ROCKWALL, TEXAS 75087  
PHONE: (972)771-9004 FAX: (972)771-9005

**AERIAL CROSSING DETAILS**  
**LOT 1, BLOCK A**  
**PEAR PEDI MEDICAL OFFICE**  
**J.M. ALLEN SURVEY, ABST. 2**  
**CITY OF ROCKWALL**  
**ROCKWALL COUNTY, TEXAS**

CITY REVIEW 6-12-14  
REVISION

WLD.

CHECKED

DAC.

DRAWN

SCALE  
1" = 8'  
1" = 4'

MAY 19, 2014

DATE

13029

PROJECT

10A OF 10