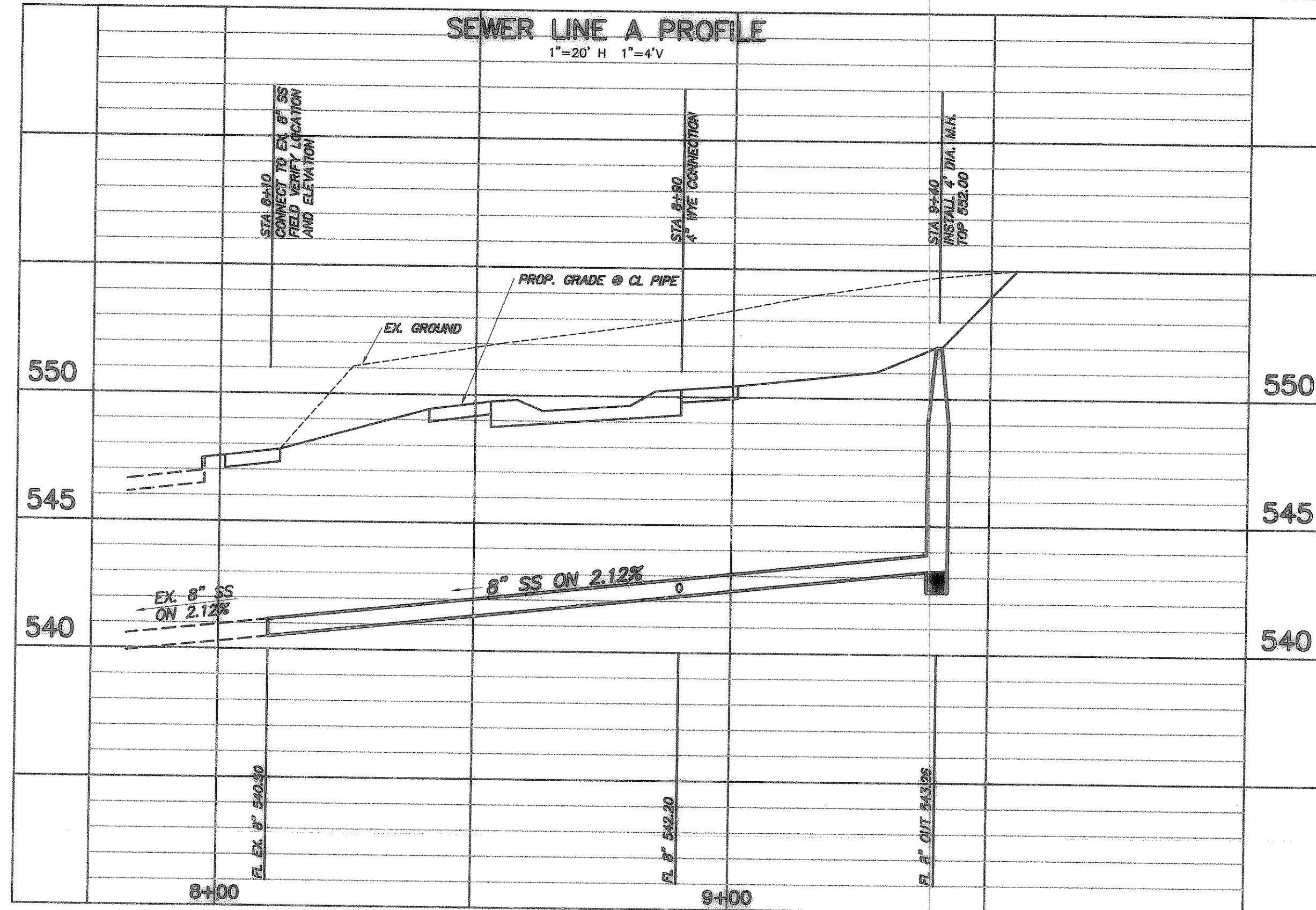


X:\S\Land Projects\2004\295-10.dwg\01C08\UTILITY.dwg 4/3/2008 10:21:10 AM CDT



UTILITY NOTES

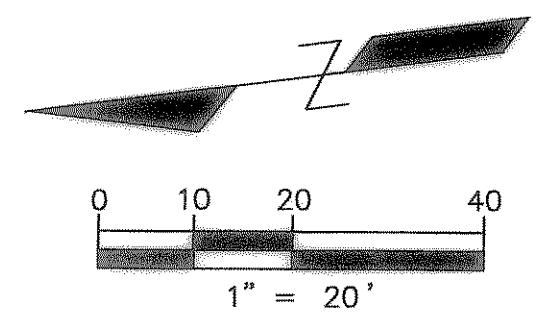
- Contractor shall comply with the requirements of the City and shall coordinate with same when connecting to their systems.
- Existing storm sewer and utility data is provided for information only from the best available plan records. Contractor shall verify their location and elevation prior to construction.
- For all construction projects in which trench excavation will exceed five feet (5') the Contractor shall provide detailed plans and specifications for adequate safety systems that meet OSHA standards.
- If there is less than 2' of clearance between the storm and sanitary sewer services, the sanitary sewer services will need to be concrete encased.
- Contractor shall coordinate installation of utilities in such a manner as to avoid conflicts and to assure proper depths are achieved.
- The Contractor shall, on all utilities, coordinate inspection and testing with the appropriate authorities prior to backfilling trenches.
- Notify all utility companies at least 48 hours in advance of any site construction.
- Coordinate with other Contractors installing gas, electric and telephone services.
- Install Blue EMS disks on the waterline at every change in direction, service and valves.
- Install Green EMS disks on the sanitary sewer line at every manhole, cleanout, and service.
- Waterline shall be class 200 PVC.

BENCHMARK

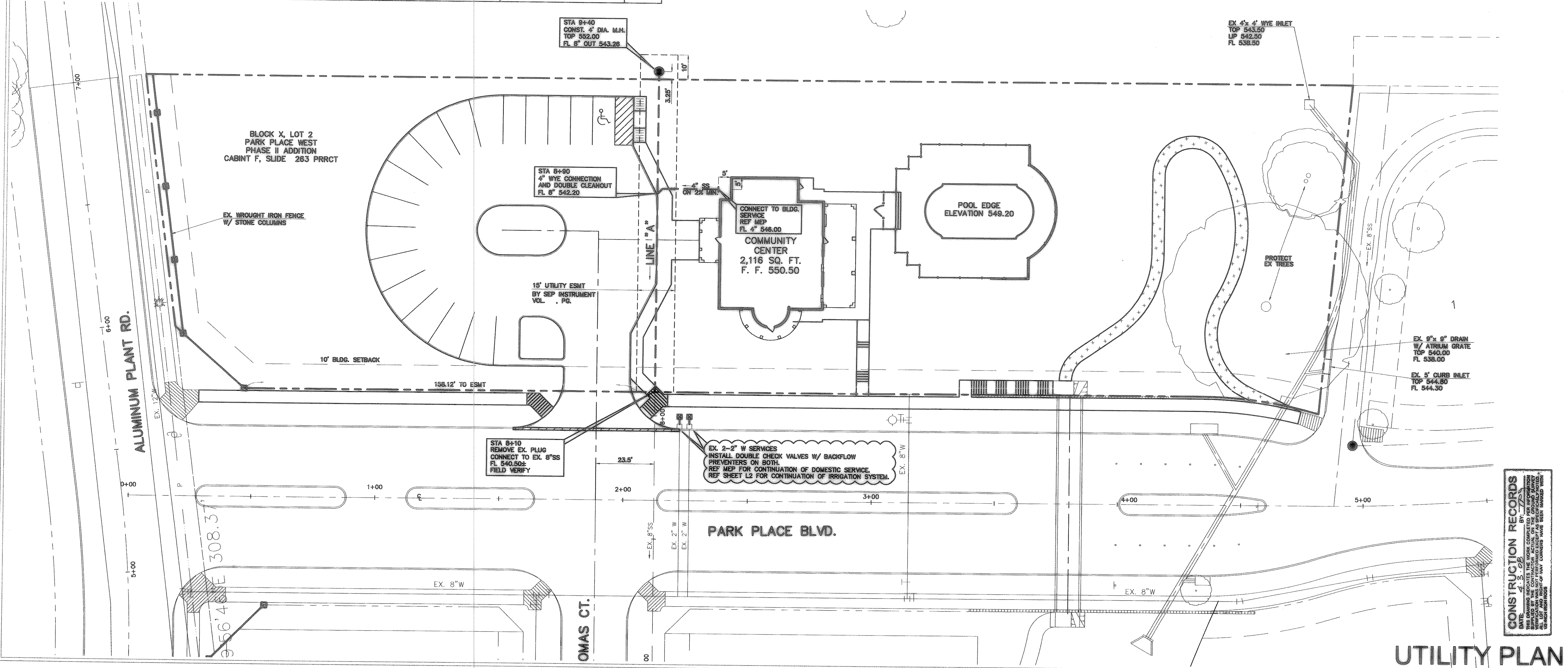
TBM on the south edge of pavement of Washington Street at the intersection of Aluminum Plant Road. Elevation 542.91
 TBM on the east edge of pavement of Renfro Street approximately 340' south of the intersection on Hartman. Elevation 535.43

DRAINAGE NOTES

- Contractor shall comply with the requirements of the City and shall coordinate with same when connecting to their systems.
- Existing storm sewer and utility data is provided for information only from the best available plan records. Contractor shall verify their location and elevation prior to construction.
- Contractor is responsible for any repairs required to existing utilities due to his activities.
- Contractor shall comply with Texas House Bill 1569 and provide his own Trench Safety System design.
- All storm sewer pipe shall be as follows:
 Diameter < 15" PVC SCH-40 or HDPE
 Diameter < 60" RCP ASTM C-76, Class III
- Concrete pipe joints to be sealed with Ramneck or equal.
- All connections shall be watertight. Grout connections at structures.
- Drain structures by NDS or Equal.
- Adjust all appurtenances (inlets, manholes, cleanouts, etc.) to final grade.



EXISTING		LEGEND		PROPOSED	
	WATER SERVICE		SEWER SERVICE		WATER LINE W/ F.H., TEE & VALVE
	8"W		SAN. SEW. LINE W/ M.H.		8"SS
	STM. SEW. W/ CURB INLET				



CONSTRUCTION RECORDS
 DATE: 4/3/08 BY: [Signature]
 THIS DRAWING INDICATES THE WORK COMPLETED FOR INFORMATION PURPOSES ONLY. IT DOES NOT REPRESENT THE AS-BUILT CONDITIONS OF THE PROJECT. CONTRACTOR SHALL VERIFY ALL CONDITIONS PRIOR TO CONSTRUCTION.

Park Place Community Center
 PARK PLACE BLVD
 ROCKWALL TEXAS

DATE
 JANUARY 18, 2006
 PROJECT
 0105
C3

RAMSAY IVY COMPANY, LC
 1250 E. WASHINGTON
 ROCKWALL, TEXAS 75087
 PH: 972.771.1030

