

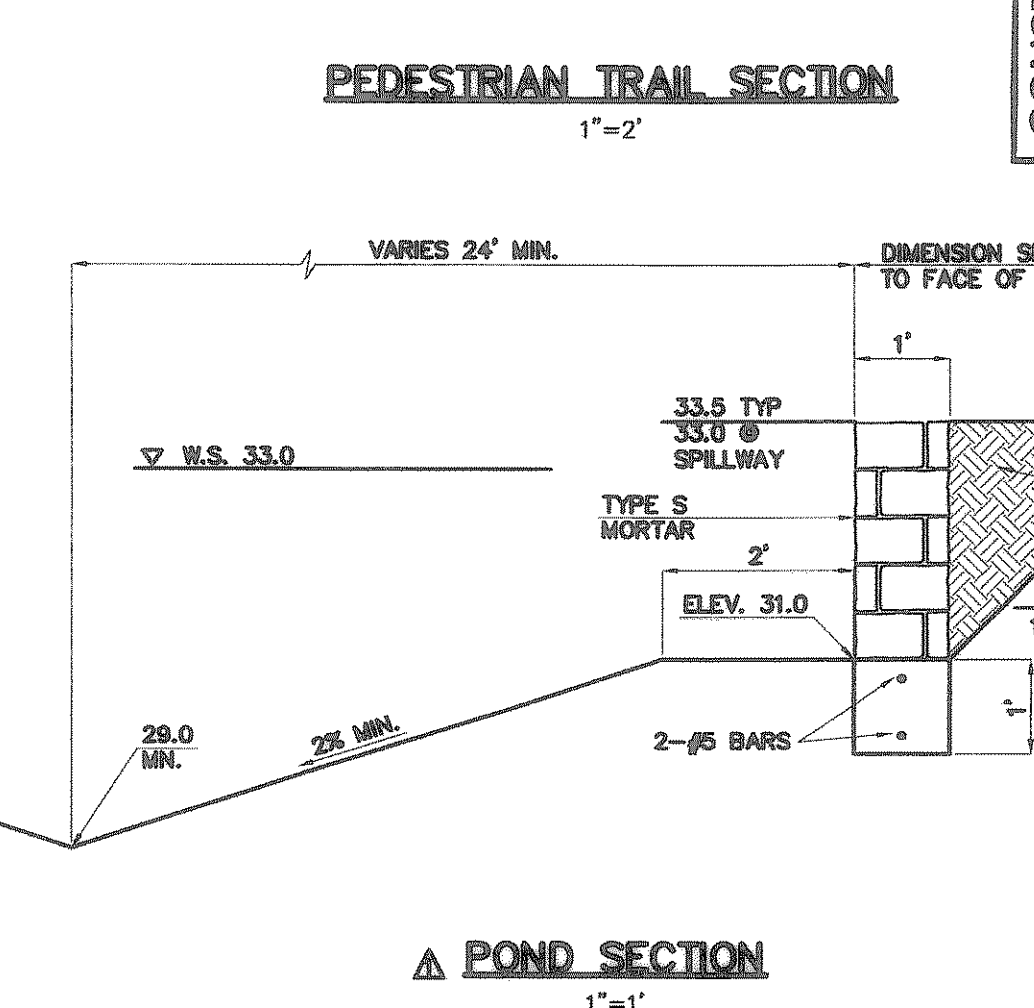
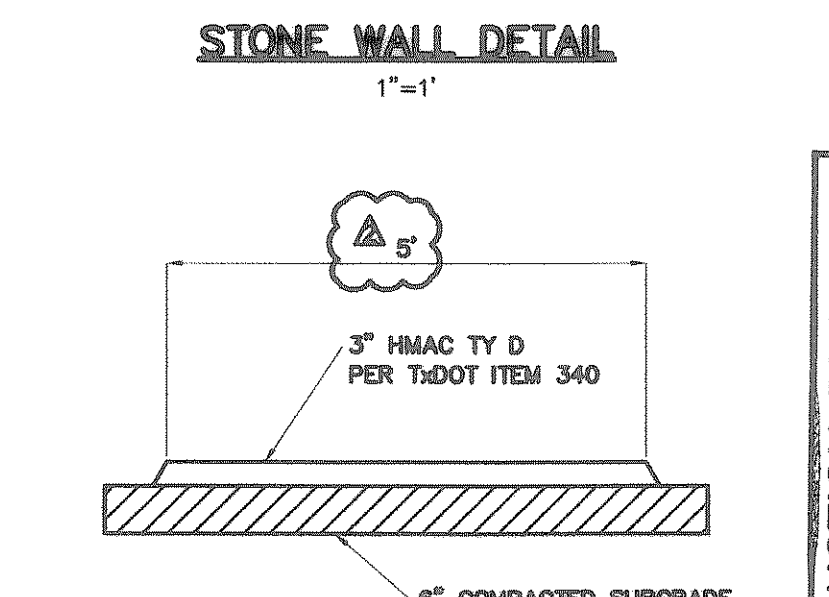
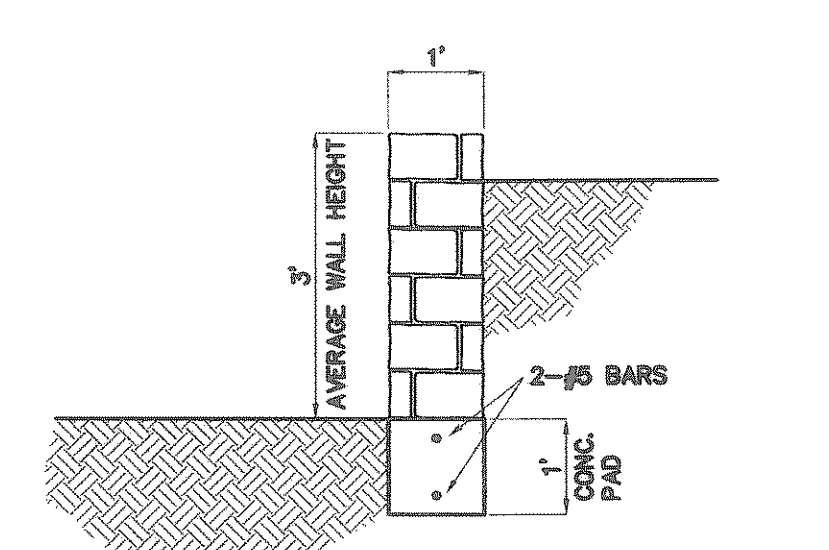
T:\SV Land Projects 2004\293-07.dwg; 01/23/06 11:51:01 AM CST



LEGEND	
EXISTING	PROPOSED
---	---
---	---
---	---
---	---
---	---
---	---
---	---
---	---
---	---
---	---

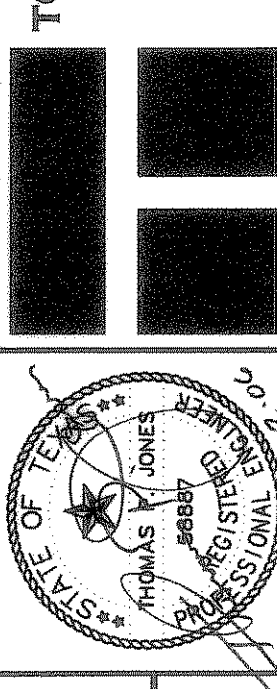
BENCHMARK
 TBM on the south edge of pavement of Washington Street at the intersection of Aluminum Plant Road. Elevation 542.91
 TBM on the east edge of pavement of Renfro Street approximately 340' south of the intersection of Hartman. Elevation 535.43

- NOTES**
- See sheet 1 for General Notes and Grading Notes.
 - See sheet 10 for enlarged view of Detention Area.
 - See sheet 26 for enlarged view of open channel area.
 - See sheet 27-28 for Erosion Control details and notes.
 - See sheets L1-3 for Tree Removal and Protection.
 - Cut and fill slopes shall be 4:1 typical unless otherwise shown.
 - Lot grading shall be limited to the plans shown. Excess excavation may be placed on-site only at the direction of the owner.
 - Grading Plan shall be submitted with the Building Permit for each lot and approved by the Engineer.
 - See this sheet for Stone Wall detail.
 - Engineer shall submit Pre-fab Pedestrian Bridge for City approval prior to installation.



No.	Date	Revisions	App.
1	03/22/06	REVISED PATHWAY WIDTH	T.P.J.
2	01/23/06	ADDED WALL FOR POND	T.P.J.

TOMDEN ENGINEERING, L.L.P.
 12655 N. Central Expwy., Suite 1016
 Dallas, Texas 75243
 Ph: 972.386.6446 Fax: 972.386.6409
 mail@tomden.com



PARK PLACE - WEST PHASE II
 OWNER:
 COLUMBIA EXTRUSION CORP.
 13000 W. Loop West
 Rockwall, TX 75087
 972.771-7109

GRADING PLAN AREA I

Scale: 1" = 40'
 Designed by T.P.J.
 Drawn by: R.W.A.
 Checked by: T.P.J.
 /dwg/293-02/01/01/PAVING.dwg
 Date: 10/16/06 11:51