

N:\BC13054 (Columbia - Bricker)\05A CAD Files\Phase 3\13054B-C-STM.dwg - TxDOT Details Plotted May 30, 2018 at 3:56pm by fitzgerald

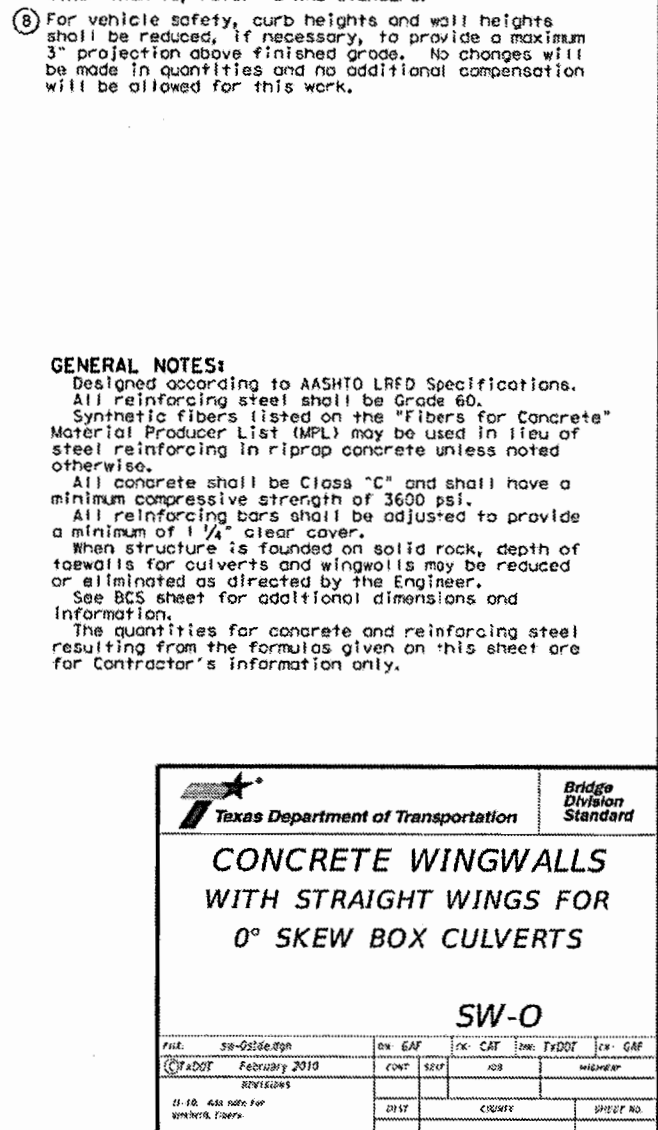
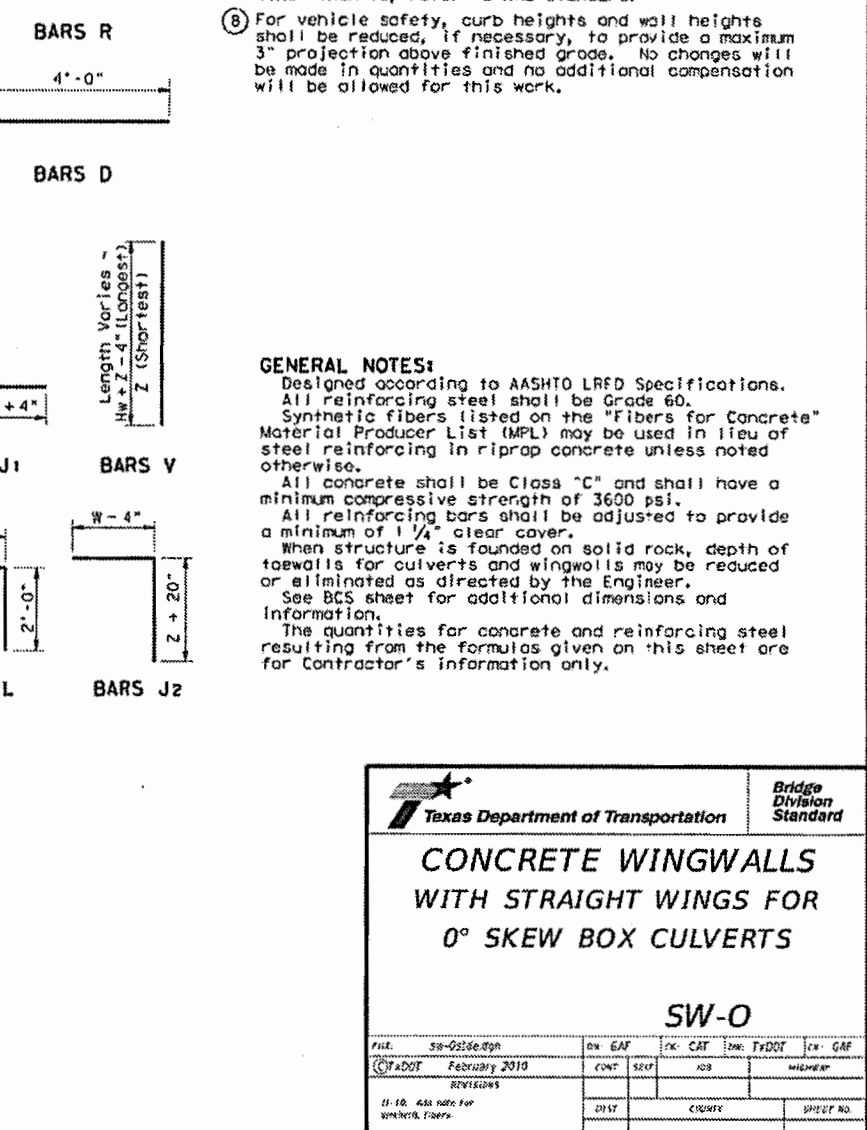
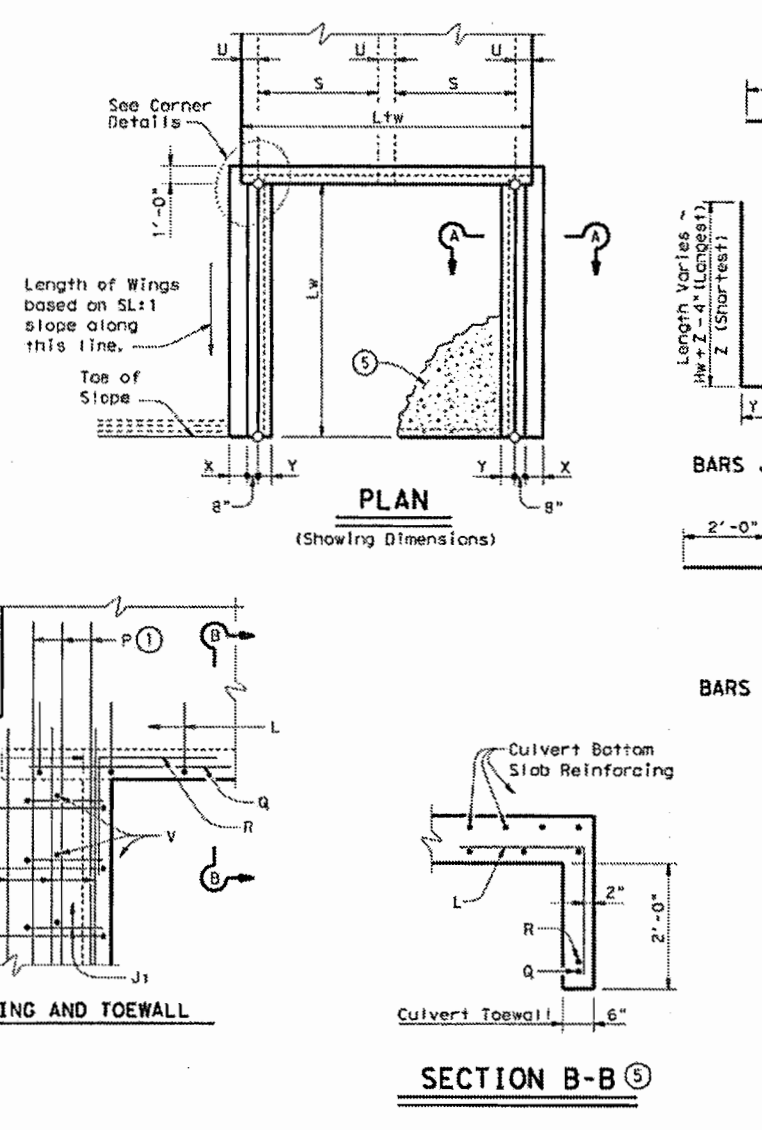
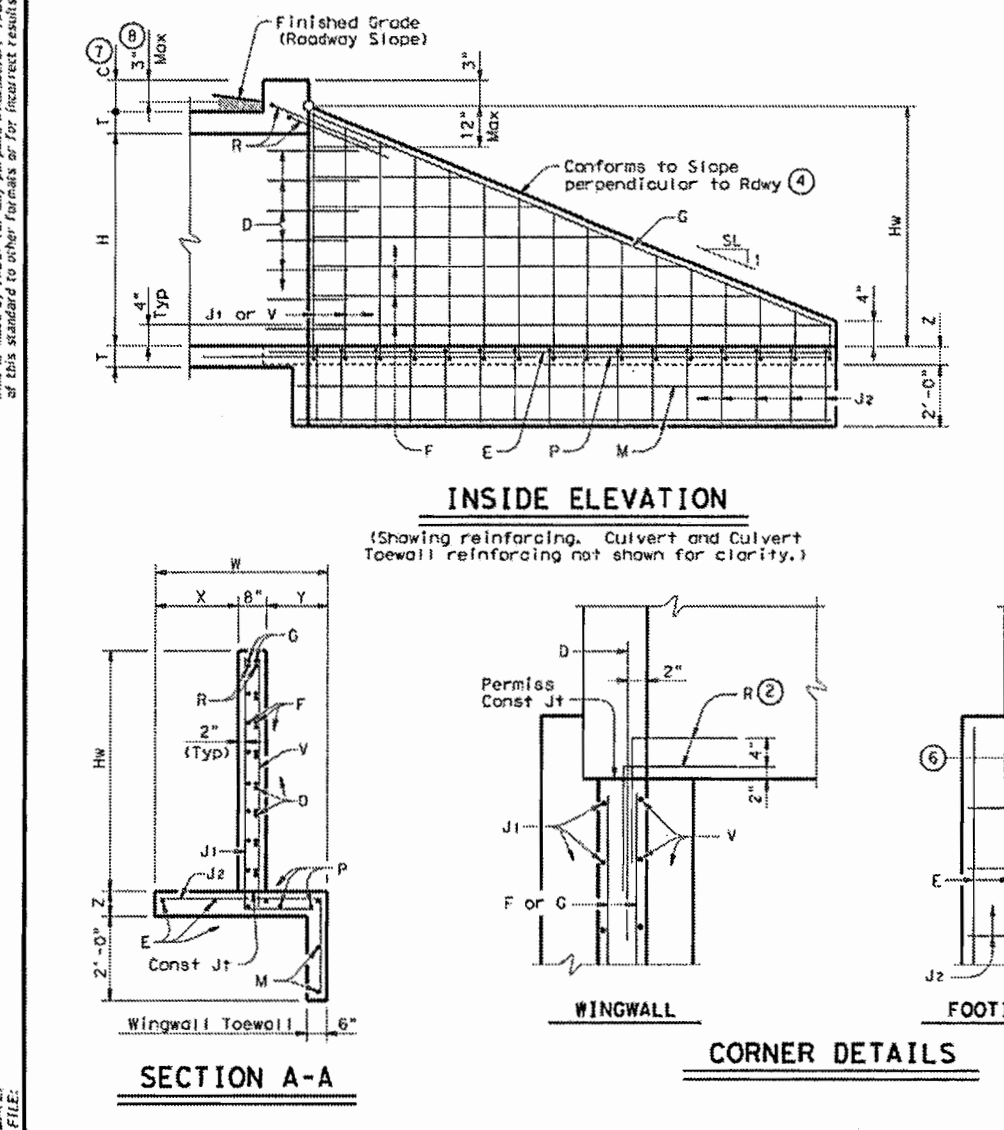
TABLE OF DIMENSIONS & REINFORCING STEEL (Wings for One Structure End)

TABLE OF WING WALL REINFORCING (Wings)

TABLE OF ESTIMATED CURVE TOE WALL QUANTITIES

TABLE OF ESTIMATED ANCHOR TOWELL QUANTITIES

WING DIMENSION CALCULATIONS: Formulas (all values are in feet) H = W + C - 0.25D... Lw = (W + C) * 0.333 (S3)



SW-O Concrete Wingwalls with Straight Wings for 0° Skew Box Culverts

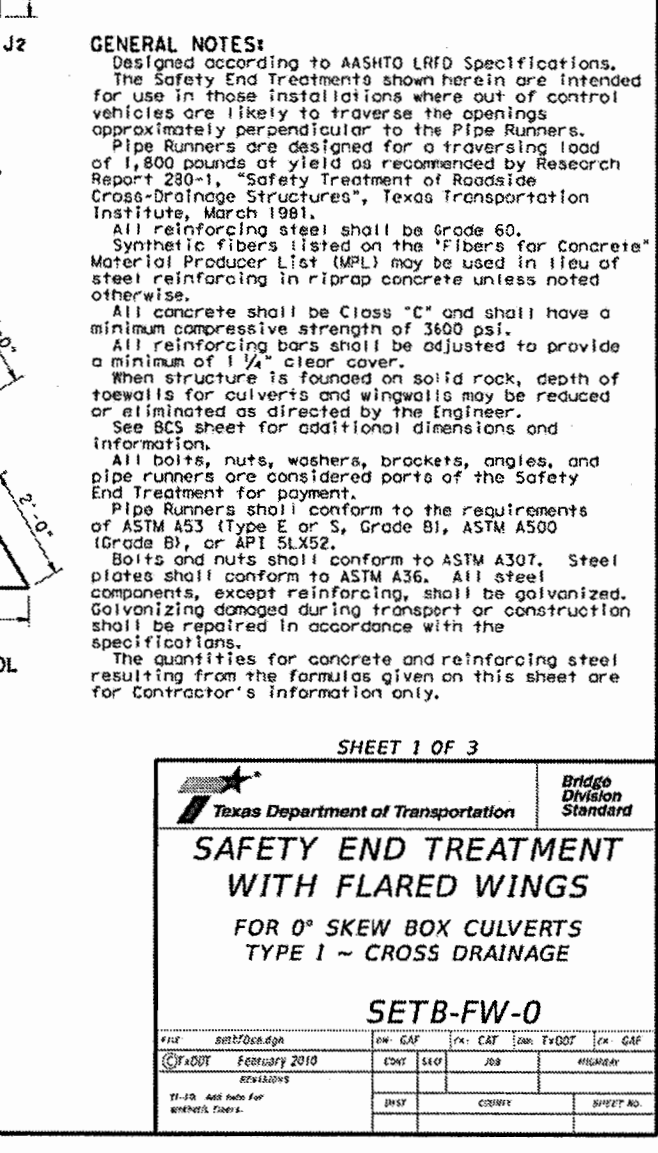
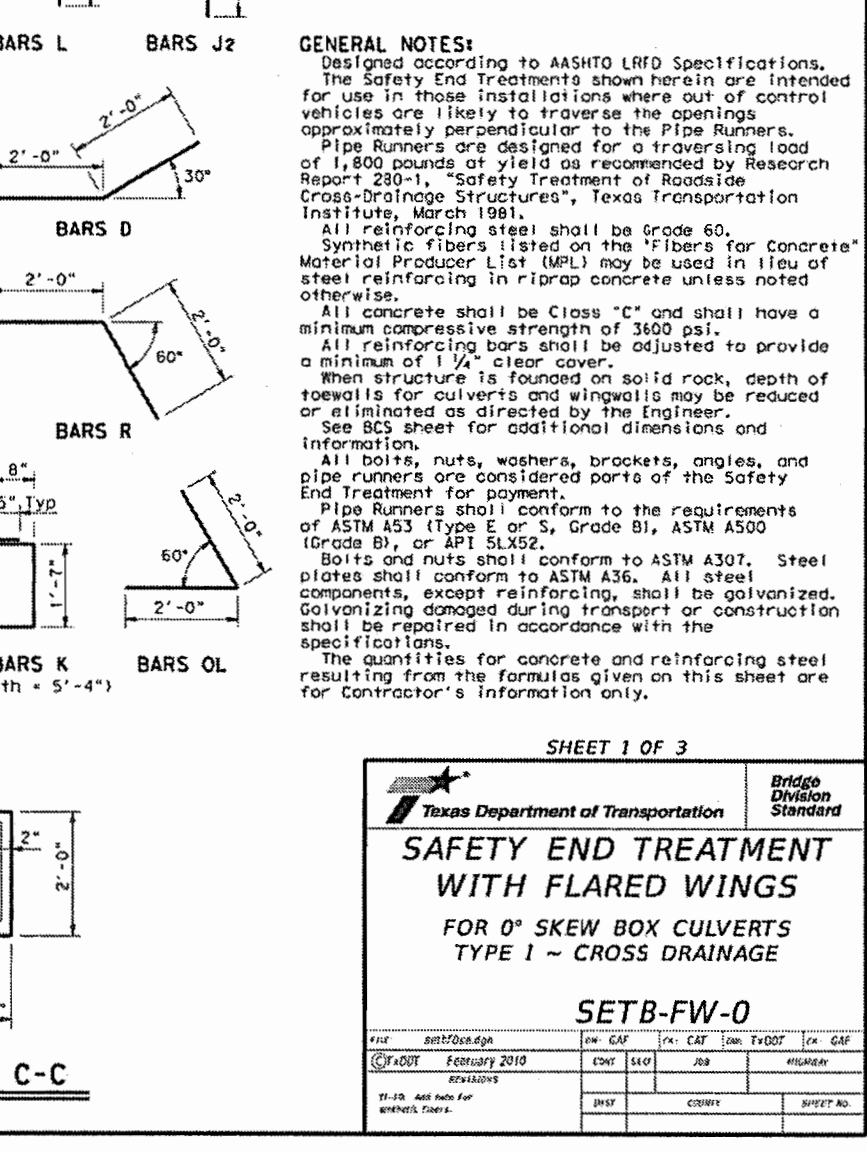
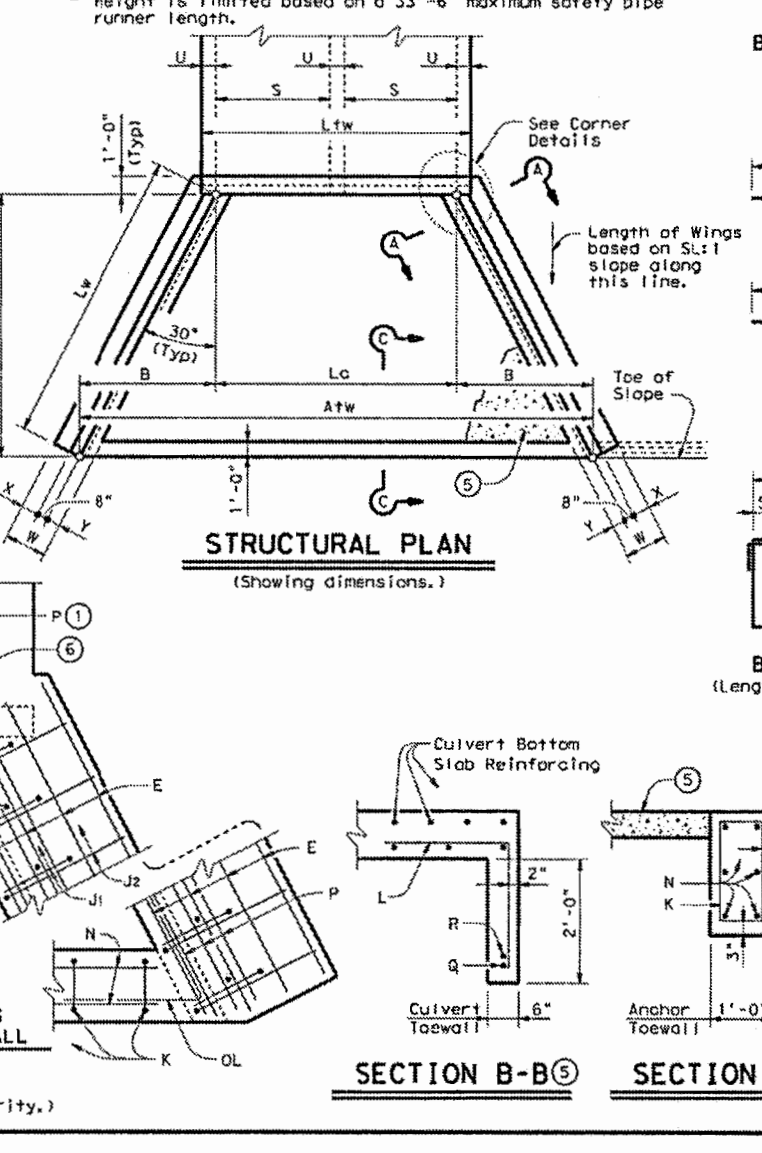
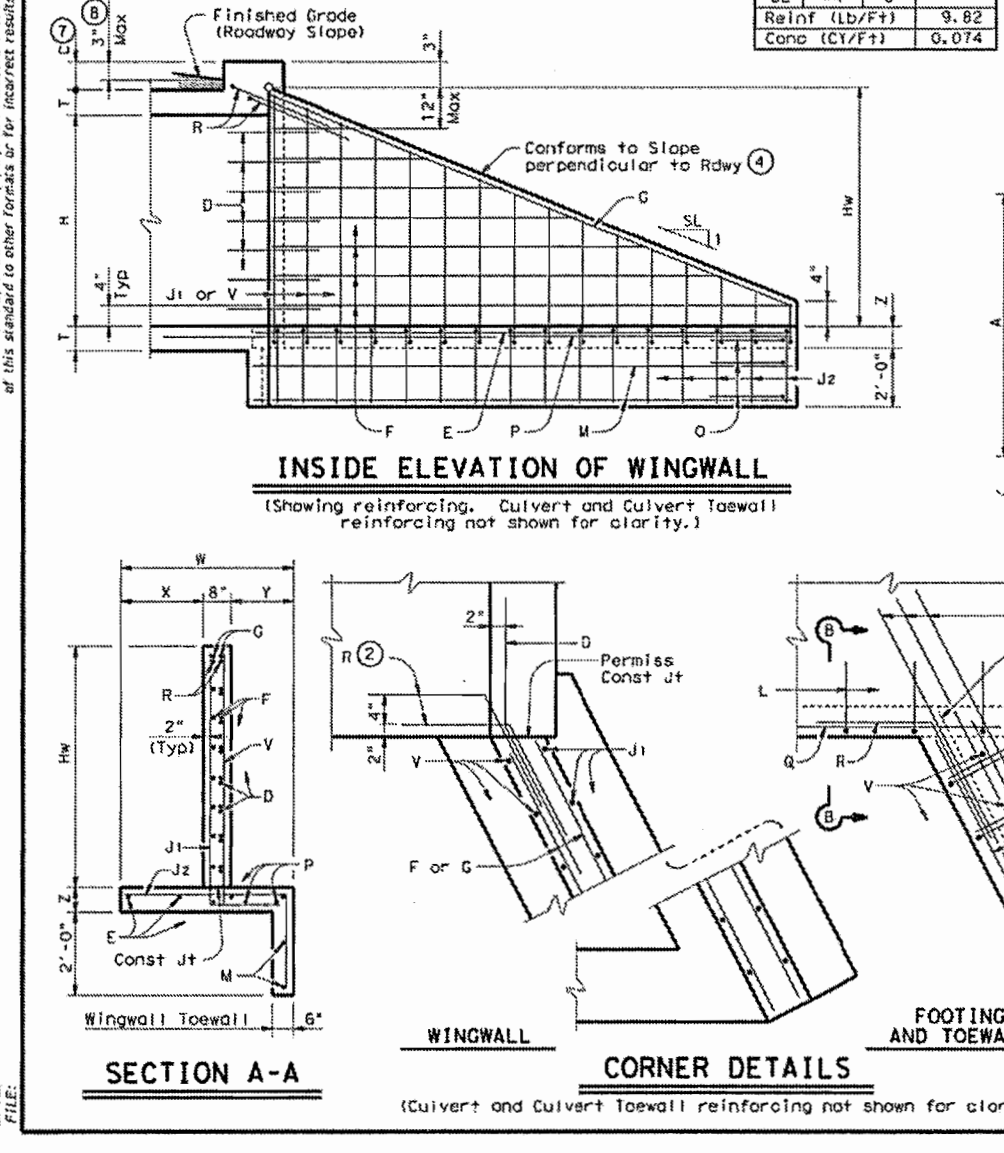
TABLE OF DIMENSIONS & REINFORCING STEEL (Wings for One Structure End)

TABLE OF WING WALL REINFORCING (Wings)

TABLE OF ESTIMATED CURVE TOE WALL QUANTITIES

TABLE OF ESTIMATED ANCHOR TOWELL QUANTITIES

WING DIMENSION CALCULATIONS: Formulas (all values are in feet) H = W + C - 0.25D... Lw = (W + C) * 0.333 (S3)



SETB-FW-0 Safety End Treatment with Flared Wings for 0° Skew Box Culverts Type I - Cross Drainage

TABLE OF VARIABLE DIMENSIONS AND QUANTITIES FOR ONE HEADWALL

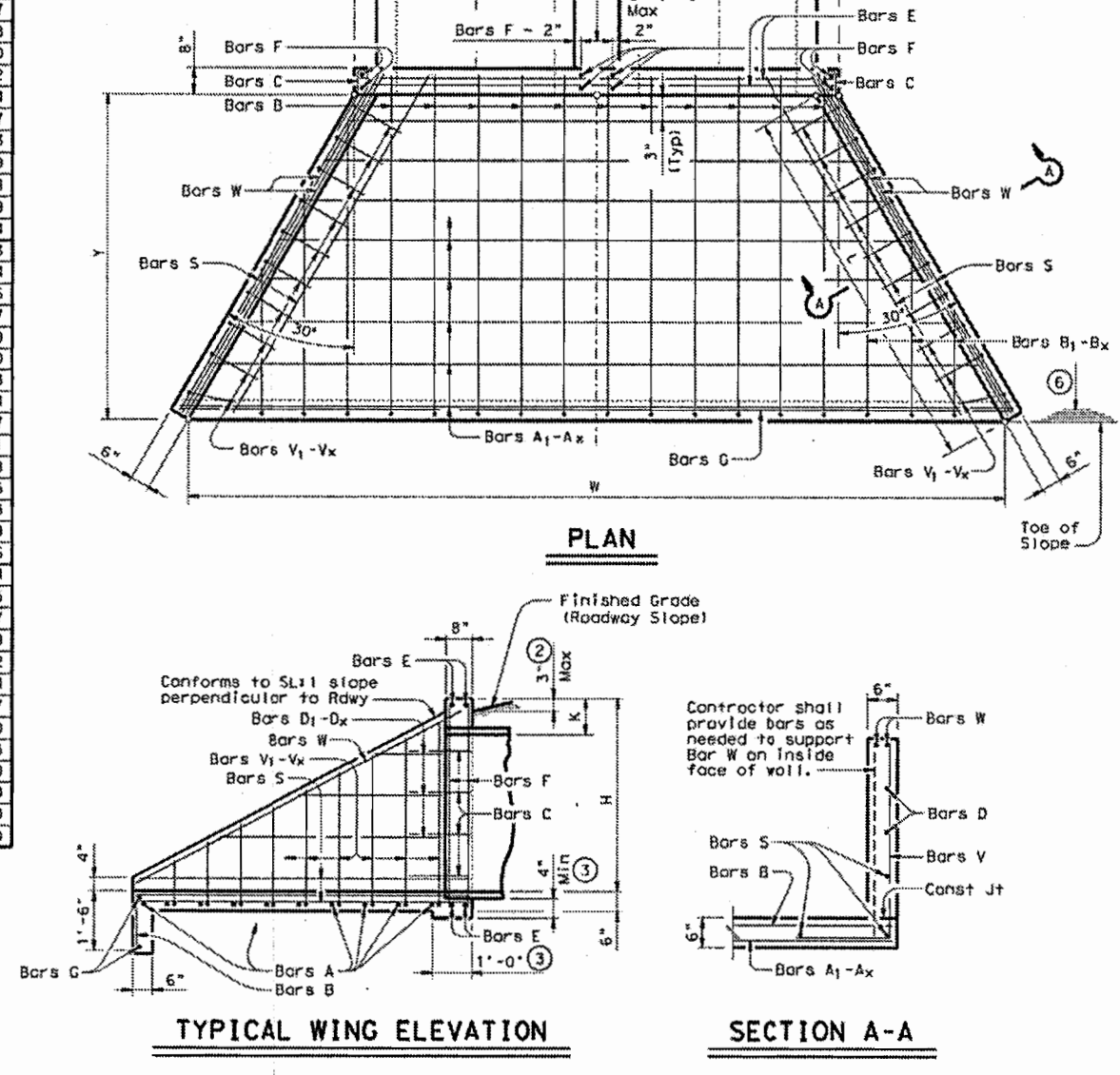
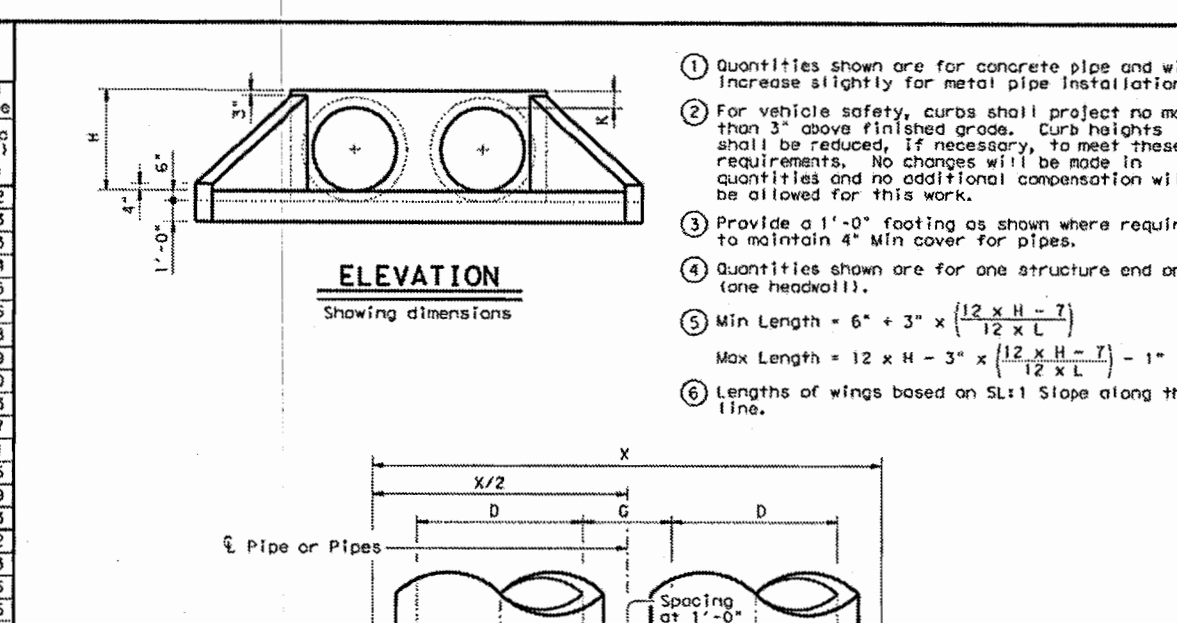


TABLE OF REINFORCING STEEL CONSTANT DIMENSIONS

CH-FW-0 Concrete Headwalls with Flared Wings for 0° Skew Pipe Culverts

CONSTRUCTION RECORDS: Date 10.10.2019, Tomden Engineering, L.L.P.