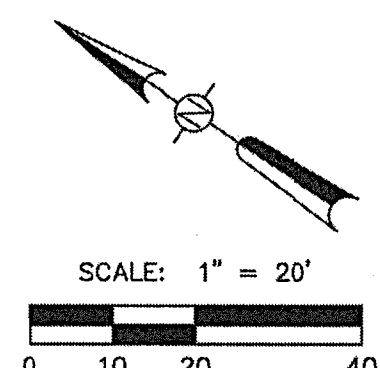
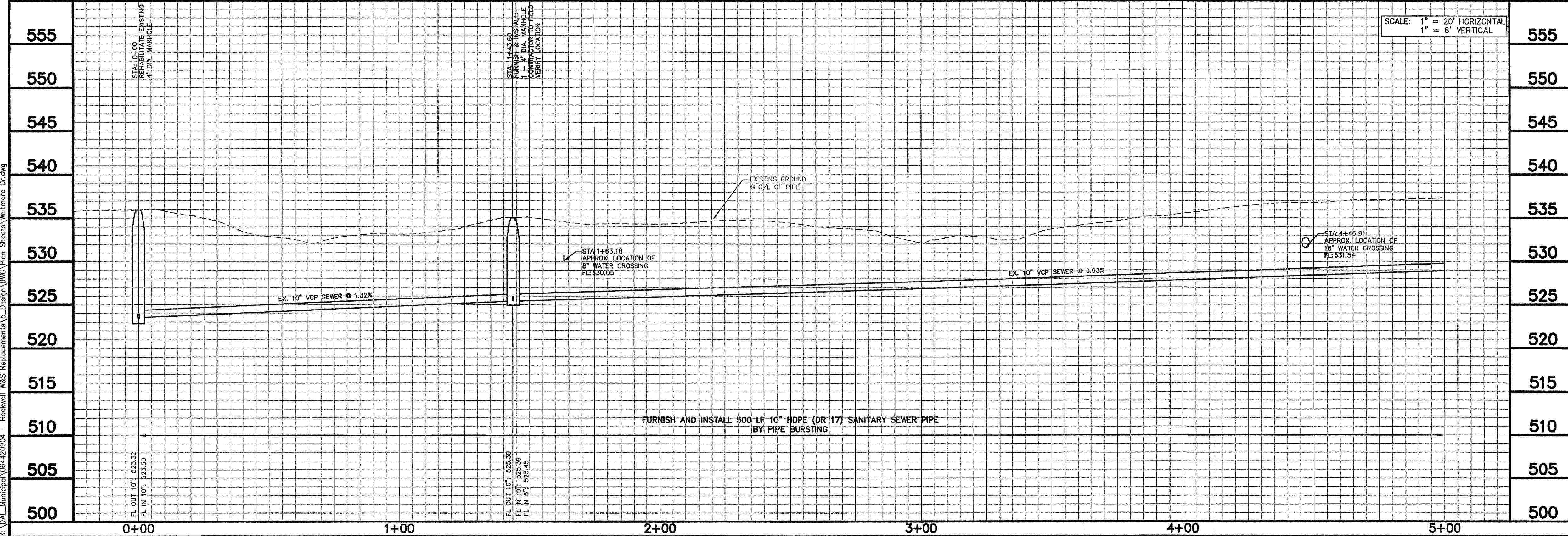


N:\BCI3054 (Columbo - Brierley)\054 CAD Files\Phase 3\13054BC-WSS-PRO.dwg-Existing 10" Sewer Plotted May 30, 2018 at 3:52pm by jltzgerd | Last Saved by: jltzgerd



"RECORD DRAWING"  
THIS DRAWING HAS BEEN REVISED TO SHOW THOSE CHANGES DURING THE CONSTRUCTION PROCESS REPORTED BY THE CONTRACTOR TO KIMLEY-HORN AND ASSOCIATES, INC. AND CONSIDERED TO BE SIGNIFICANT. THIS DRAWING IS NOT GUARANTEED TO BE "AS BUILT" BUT IS BASED ON THE INFORMATION MADE AVAILABLE.  
DATE: 6/3/2014 BY: PAC

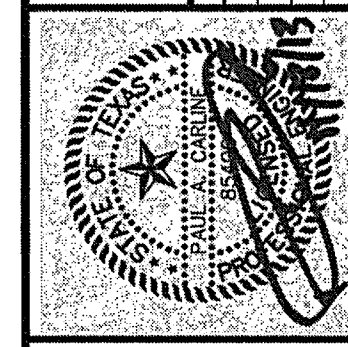


SCALE: 1" = 20' HORIZONTAL  
1" = 6' VERTICAL

K:\DAL Municipal\06420904 - Rockwell W&S Replacement\5. Design\DWG\Plan Sheet\Whitmore Dr.dwg

**Kimley-Horn and Associates, Inc.**  
Professional Engineer, State of Missouri, License No. 000000000  
Professional Engineer, State of Texas, License No. 100000000

No.	Revision	By	Date



**City of Rockwall  
Trenchless Sewer  
Rehabilitation**

**WHITMORE DRIVE TO  
RENFRO STREET  
SEWER  
PLAN & PROFILE**

DATE: NOVEMBER 2013	DESIGN: PAC
DRAWN: JAS	CHECKED: MSP
KHA NO.: 064420904	
SHEET	
<b>9</b>	

REF1  
FOR REFERENCE ONLY