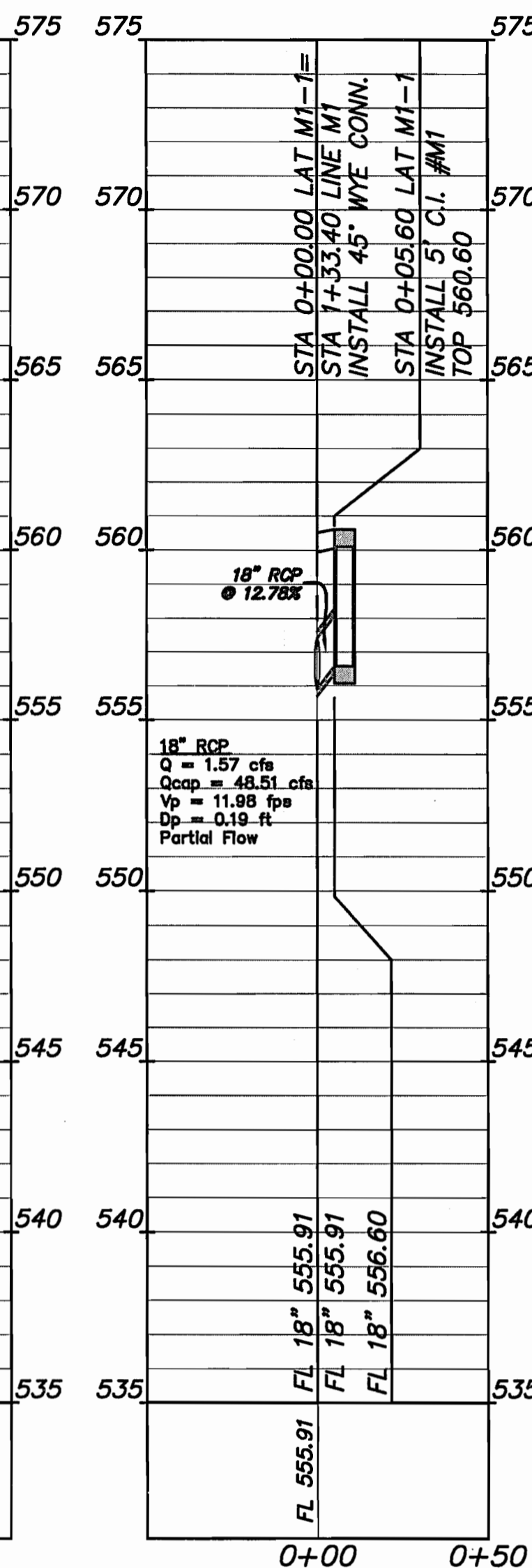


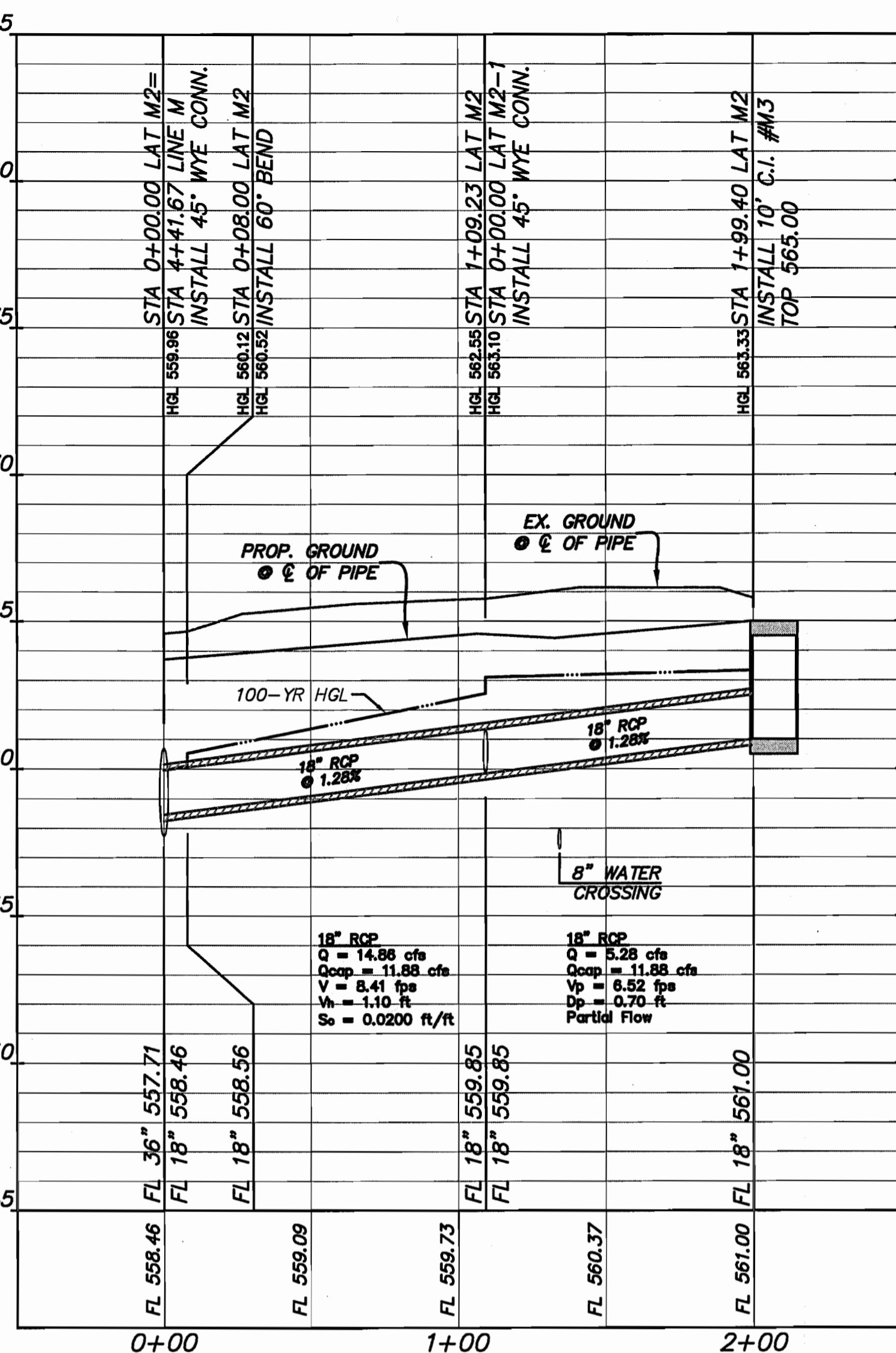
STORM LAT M1

H : 1"=40'
V : 1"=4'



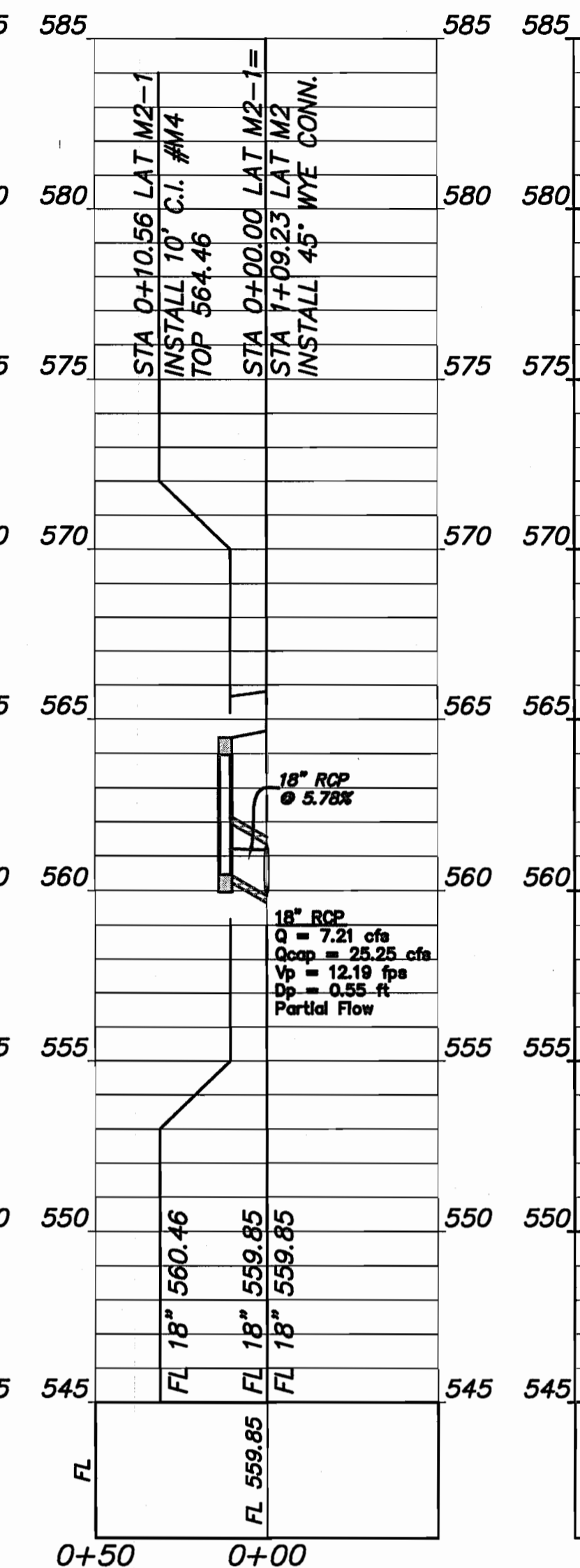
STORM LAT M1-1

H : 1"=40'
V : 1"=4'



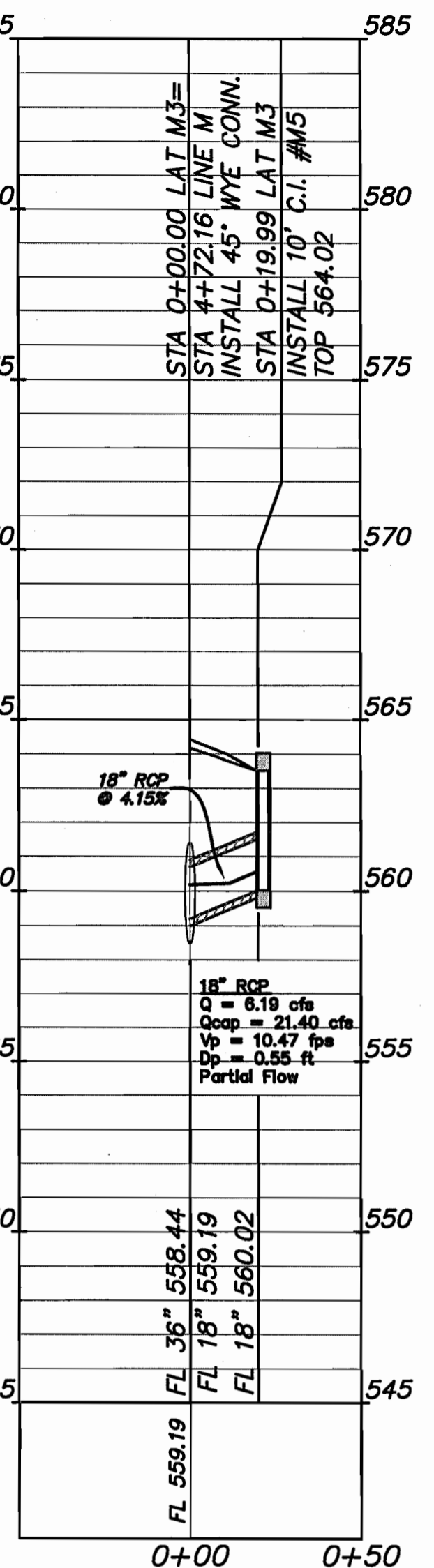
STORM LAT M2

H : 1"=40'
V : 1"=4'



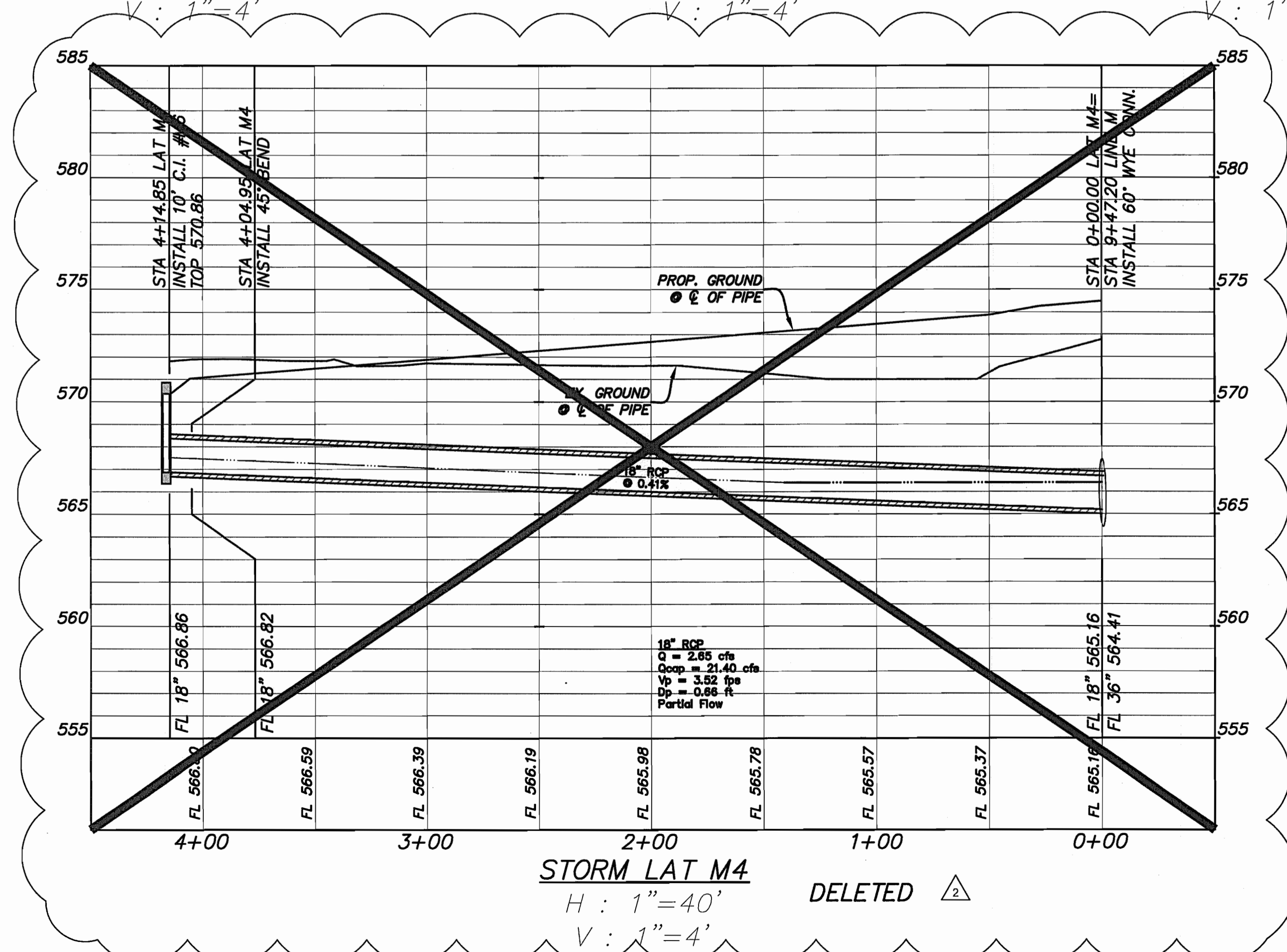
STORM LAT M2-1

H : 1"=40'
V : 1"=4'



STORM LAT M3

H : 1"=40'
V : 1"=4'



STORM LAT M4

H : 1"=40'
V : 1"=4'

DELETED

CONSTRUCTION RECORDS
DATE: 10.10.2019 BY: [Signature]
THIS DRAWING INDICATES THE WORK COMPLETED PER INFORMATION SUPPLIED BY THE CONTRACTOR. THE ACCURACY AND COMPLETENESS OF THIS INFORMATION HAS NOT BEEN VERIFIED. ACTUAL ON THE GROUND SURVEY VERIFICATION WAS NOT PERFORMED EXCEPT AS SPECIFICALLY NOTED. TOMDEN ENGINEERING, L.L.P. SHALL NOT BE RESPONSIBLE FOR ANY ERRORS OR OMISSIONS THAT MAY BE INCORPORATED AS A RESULT OF ERRONEOUS INFORMATION PROVIDED BY OTHERS.
TOMDEN ENGINEERING, L.L.P.

1 THIS SHEET SUPPLEMENTS ORIGINAL SHT C26 AND SHALL BE USED FOR THE CONSTRUCTION OF THE CLOUDED INFORMATION ONLY. BINKLEY BARFIELD SHALL BE RESPONSIBLE FOR ALL OTHER DESIGN INFORMATION SHOWN.
2

DESIGNED BY: TPJ	CHECKED BY: TPJ	DATE: 01.21.2019	SCALE: AS SHOWN
DRAWN BY: ADC	DATE: 01.21.2019	LAT M4 REMOVED	STORM LINES "M1" AND "M1-1"
DATE: 01.21.2019	DATE: 12.03.2018	DATE:	DATE:



TOMDEN ENGINEERING, L.L.P.
5815 MEADOWCREST
DALLAS, TX 75230
(214) 679-1679
FIRM No. 19244
tjones@tomden.com

PARK PLACE WEST - PHASE III
R. BALLARD SURVEY ABSTRACT NO. 29
ROCKWALL, ROCKWALL COUNTY, TEXAS
STORM SEWER PROFILES SHEET 5
[LAT M1 TO LAT M4]