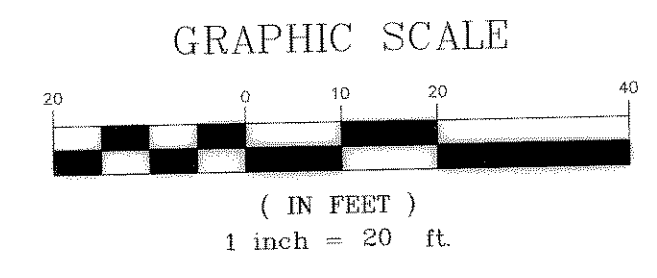


**CITY OF ROCKWALL UTILITY CONTACTS:**

SBC SHEILA PENN (903) 457-2087  
 ATMOS ENERGY DINAH WOOD (972) 485-6277  
 TXU ELECTRIC JOE PECINA (972) 771-3979  
 CHARTER COMMUNICATION HECTOR ELIZONDO (817) 509-6272

\* THESE UTILITY CONTACTS ARE LISTED FOR REFERENCE PURPOSES ONLY. THE CONTRACTOR SHALL BE RESPONSIBLE TO VERIFY ACCURACY OF ALL CONTACTS LISTED AND CONTACT ALL APPLICABLE UTILITY COMPANIES, INCLUDING THOSE NOT LISTED ABOVE.

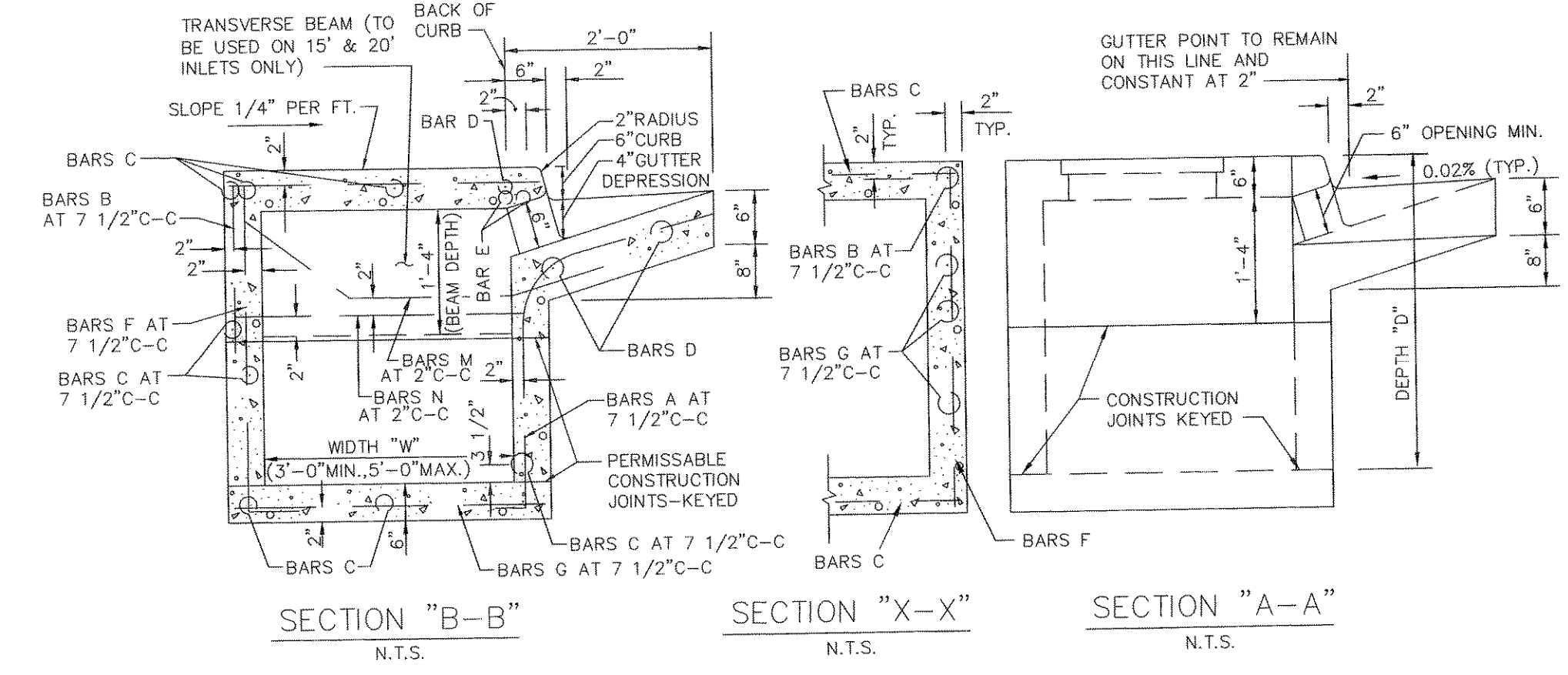
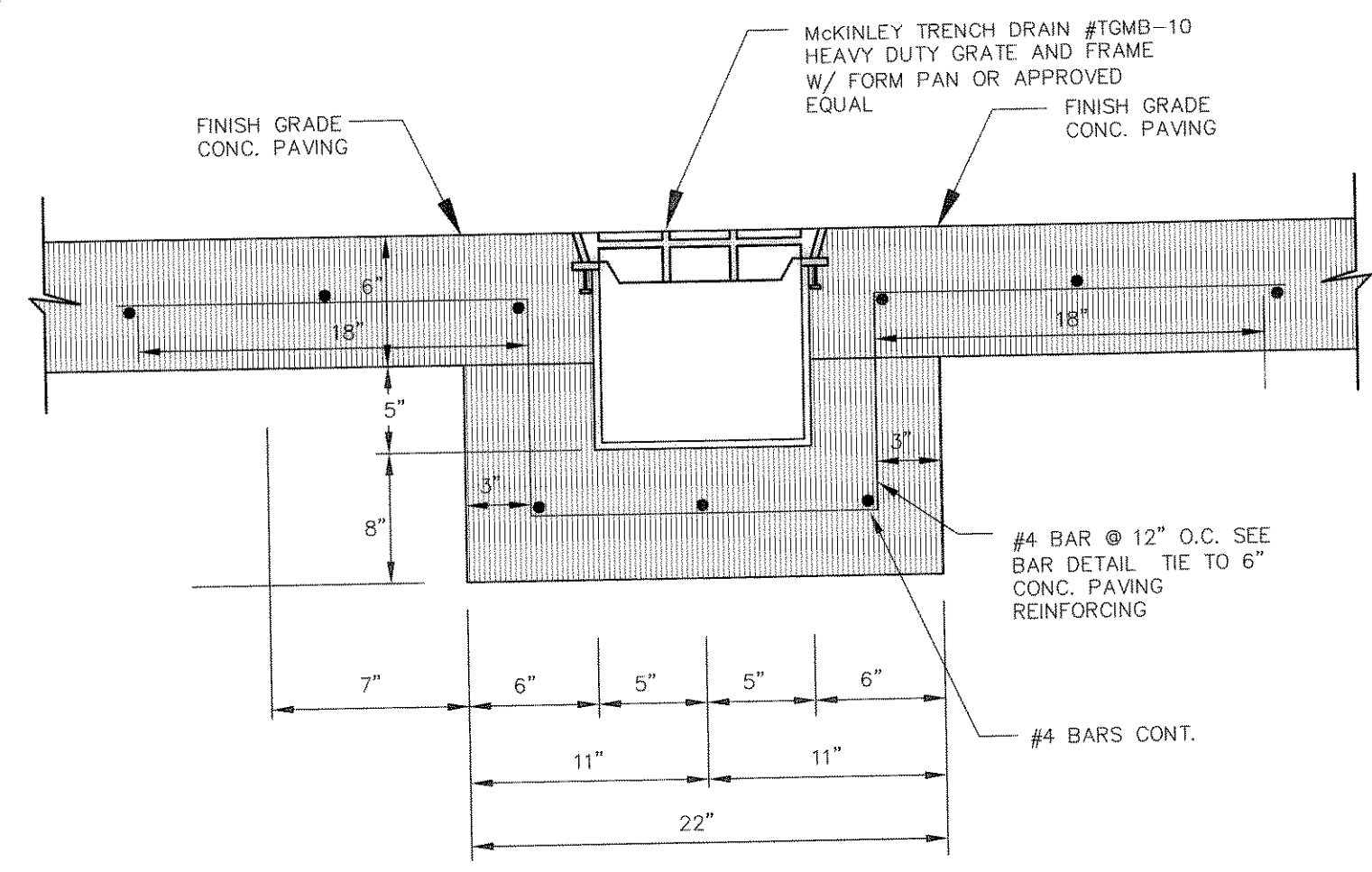
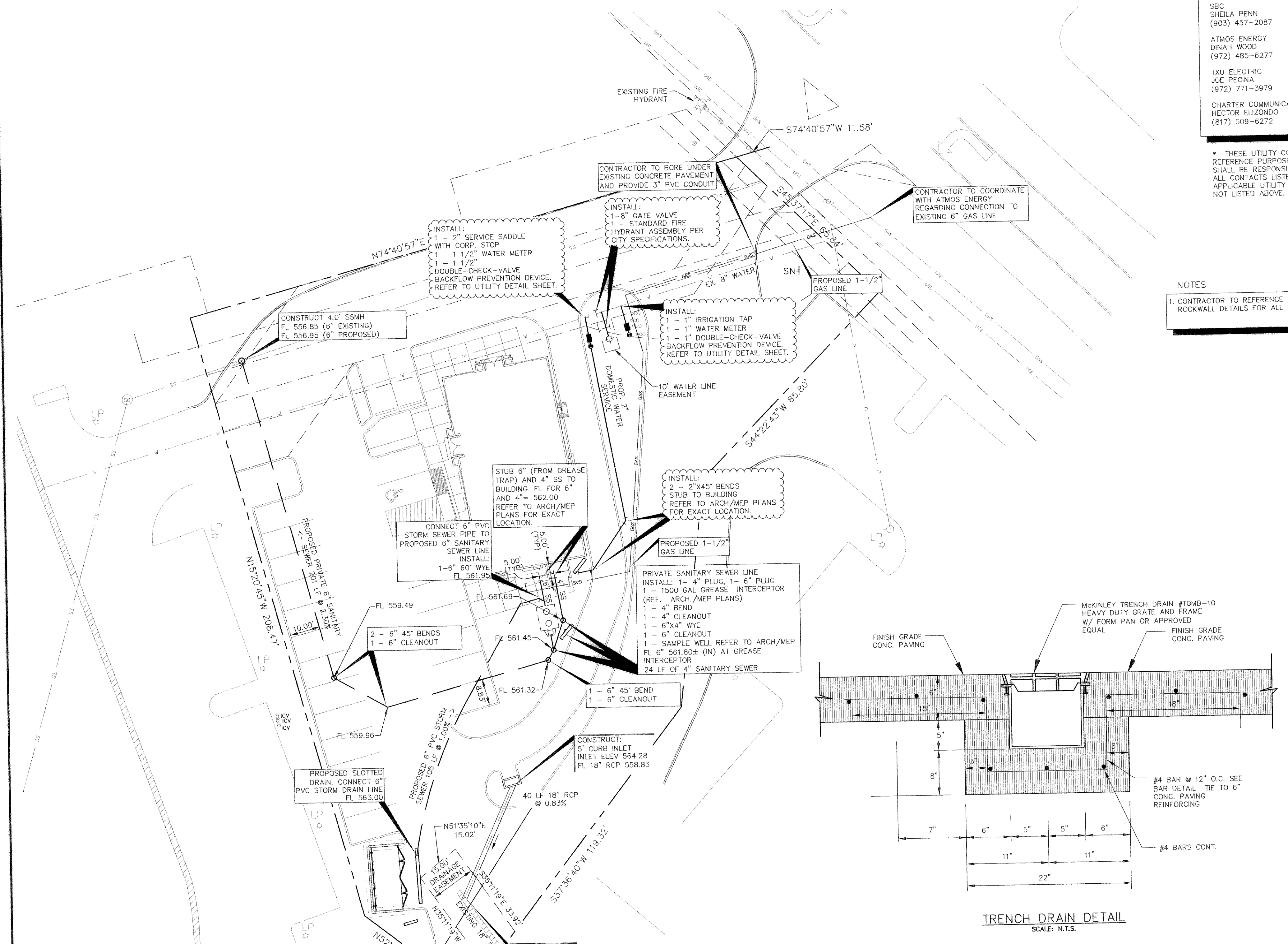


**LEGEND**

SANITARY SEWER SYSTEM NOTE WATER SYSTEM NOTE EXISTING FIRE HYDRANT EXISTING WATER MAIN PROPOSED WATER LINE PROPOSED GATE VALVE STORM SYSTEM NOTE	PROPOSED WATER METER PROPOSED BACKFLOW PREVENTER EXISTING SAN. SWR. PROPOSED SAN. SWR. SAN. SWR. CLEAN-OUT M.E.P. PROPOSED STORM LINE
--	---

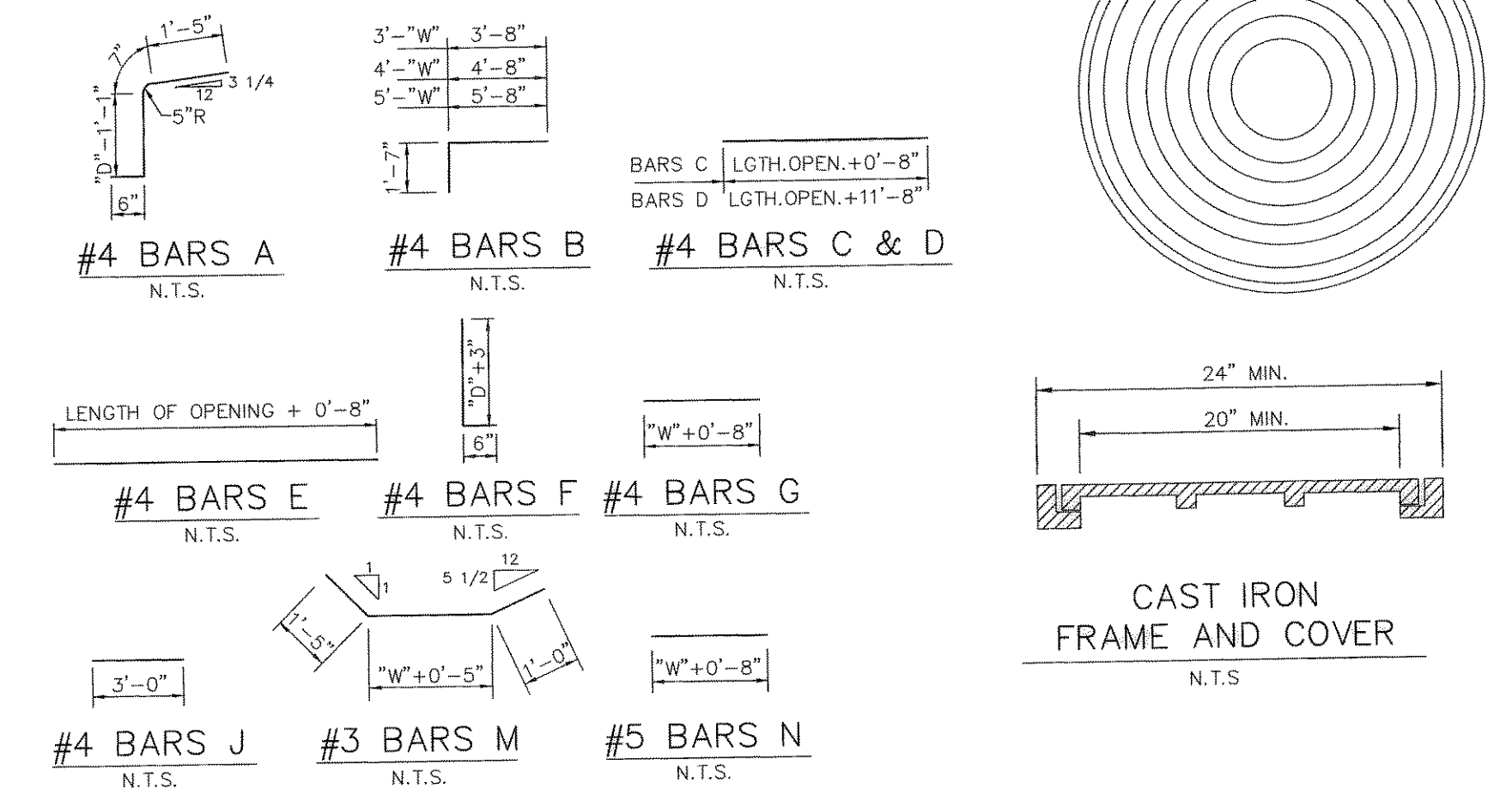
**NOTES**

1. CONTRACTOR TO REFERENCE NTCOG AND CITY OF ROCKWALL DETAILS FOR ALL UTILITY DETAILS.



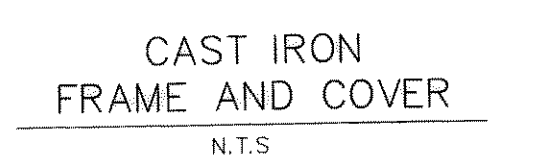
**GENERAL NOTES:**

- ALL CONCRETE SHALL BE CLASS "A" CONCRETE.
- REINFORCING BARS SHALL BE STANDARD GRADE STEEL, DEFORMED REINFORCING BARS OF A DIAMETER AND LENGTH AS SHOWN.
- CHAMFER ALL EXPOSED CORNERS 3/4" EXCEPT WHERE OTHERWISE NOTED.
- DIMENSIONS RELATING TO REINFORCING STEEL ARE TO CENTERS OF BARS.
- FIELD CUT AND BEND BARS AS NECESSARY TO ACCOMMODATE STORM SEWER PIPE.
- RING AND COVER SHALL BE APPROVED BY THE OWNER AND INSTALLED BY THE CONTRACTOR.



**CURB INLET DETAIL**

SCALE: NONE

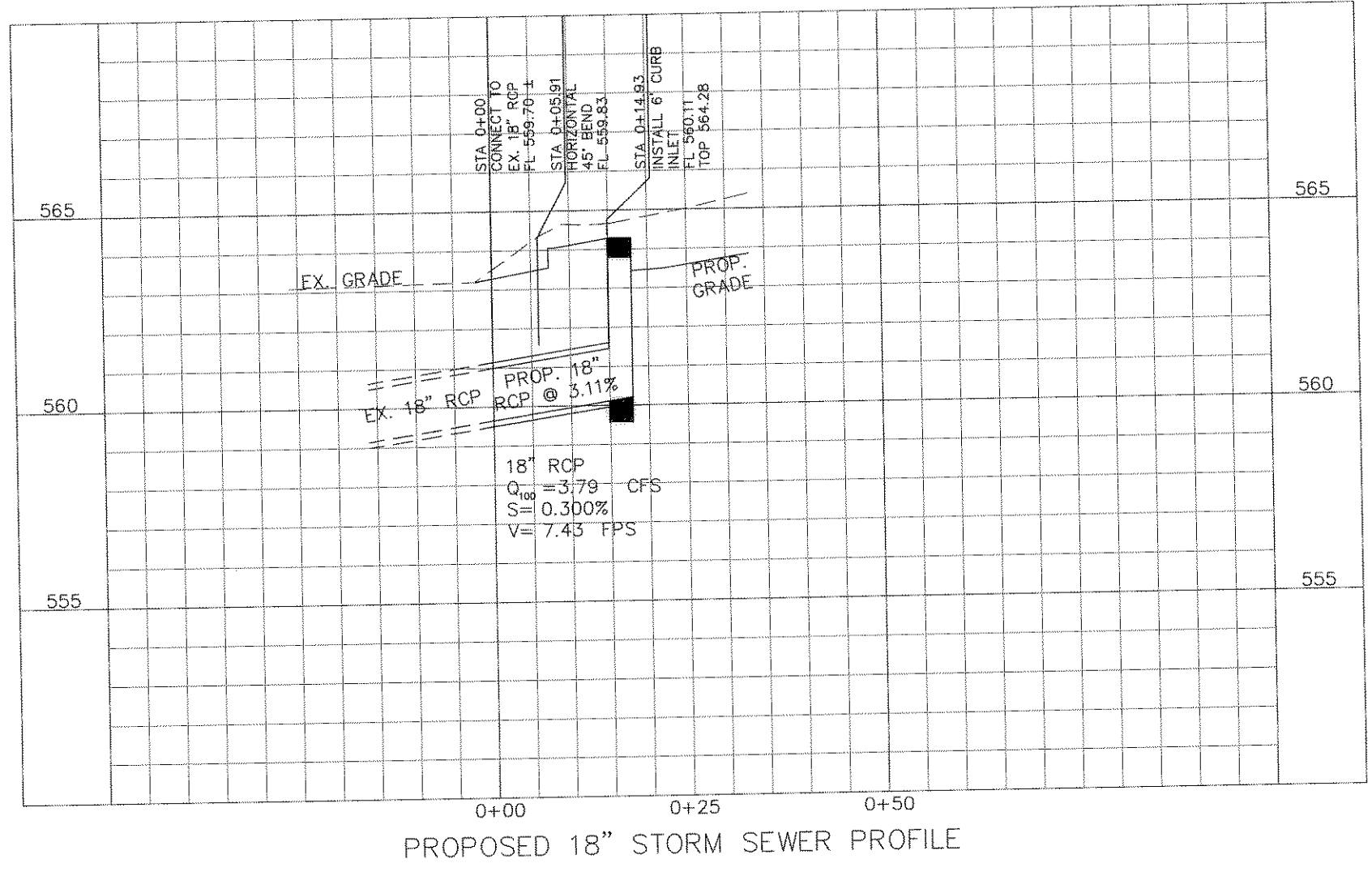


**BENCHMARKS**

\*" found for corner in the southwest line of F.M. Road No. 3097, a 100 foot right-of-way at this point, said point being at the southeasterly corner of a 7.5 foot strip of land dedicated for widening of said F.M. Road No. 3097 as shown by plat of Lot 1, Block A of Mr. M. Addition

**RECORD DRAWING**  
 T. Jason Bannister, P.E.  
 DATE: 06-14-2006  
 THIS RECORD DRAWING HEREIN REFLECTS TO THE BEST OF THE DESIGN ENGINEER'S KNOWLEDGE BASED ON A FIELD VERIFICATION SURVEY CONDUCTED BY THE ENGINEER. THE LOCATION OF THE CONSTRUCTED WORK, USING INFORMATION AS PROVIDED BY THE CONTRACTOR, FIELD VISITS AND THE REFERENCED SURVEY.

**STOP!**  
**CALL BEFORE YOU DIG**  
**DIG TESS**  
**1-800-DIG-TESS**  
 (@ least 72 hours prior to digging)



PROPOSED 18" STORM SEWER PROFILE