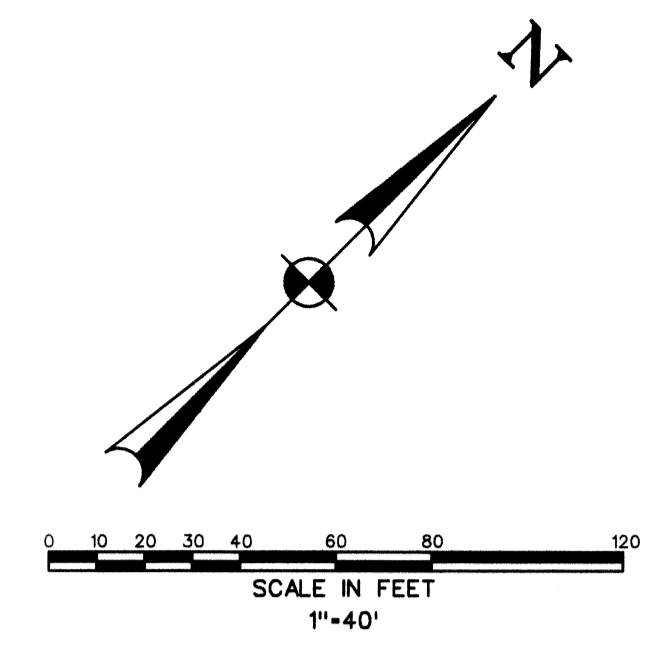


LOT 1  
8.85 ACRES  
HERITAGE CHRISTIAN ACADEMY ADDITION  
PHASE TWO  
CABINET G, SLIDE 57  
P.R.R.C.T.

LOT 1, BLOCK A  
6.641 ACRES  
HERITAGE CHRISTIAN ACADEMY ADDITION  
CABINET F, SLIDE 91  
P.R.R.C.T.

ROCKWALL COLORED  
BURIAL CLUB  
VOLUME 35, PAGE 568  
P.R.R.C.T.



BOUNDARY INFORMATION AND FIELD SURVEYING  
PROVIDED BY AJ BEDFORD GROUP, ATTN. MR. JAY  
BEDFORD, 301 N. ALAMO, ROCKWALL, TEXAS 75043

CONSTRUCTION BENCHMARK:  
SQUARE CUT ON TOP OF EXISTING  
INLET. ELEVATION=544.08

CL STATION 0+45.80  
INSTALL LONGITUDINAL BUTT  
JOINT. MATCH EXISTING  
PAVEMENT  
R=300.22'  
L=188.00'  
DELTA=35°53'12"  
TANGENT=97.22'

CL STATION 0+12.00  
BEGIN STREET WIDENING  
INSTALL 37 L.F. PERMANENTLY  
MOUNTED TYPE III BARRICADE  
PER TXDOT DETAIL BC(10)-07

INSTALL LONGITUDINAL BUTT  
JOINT PER TYPICAL SECTION.  
MATCH EX. PVMT. ELEVATION.

R=299.78'  
L=231.00'  
DELTA=44°09'01"  
TANGENT=121.58'

APPROXIMATE LOCATION EXISTING  
8" WATER. LOCATION TAKEN FROM  
AS-BUILT DRAWINGS ON FILE AT CITY.

CL STATION 4+31.00  
POINT OF TANGENCY  
INSTALL LONGITUDINAL  
BUTT JOINT. MATCH EX.  
PAVEMENT ELEVATION

CONSTRUCTION BENCHMARK:  
SQUARE CUT ON TOP OF EXISTING  
INLET. ELEVATION=544.08

CL STATION 8+33.93  
POINT OF TANGENCY

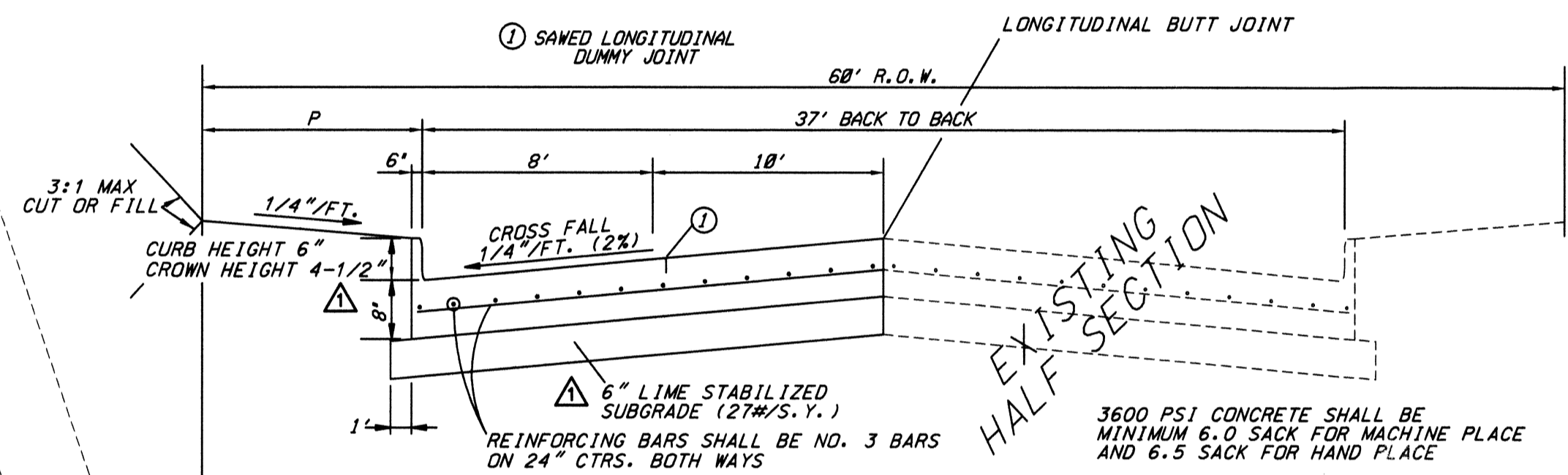
INSTALL LONGITUDINAL  
BUTT JOINT. MATCH EX.  
PAVEMENT ELEVATION

CL STATION 10+31.67  
END PROJECT  
CONNECT TO EX. PAVEMENT

INSTALL LONGITUDINAL  
BUTT JOINT. MATCH EX.  
PAVEMENT ELEVATION

REMOVE EXISTING 2'  
CURB TAPER AND CONNECT  
TO EX. 6" CURB

SEE SHEET C2 FOR DRIVEWAY  
DIMENSIONAL CONTROL AND  
SHEET C3 FOR GRADING AND DRAINAGE  
IMPROVEMENTS.



PAVEMENT SECTION  
NCTCOG DRAWING NO. 2030

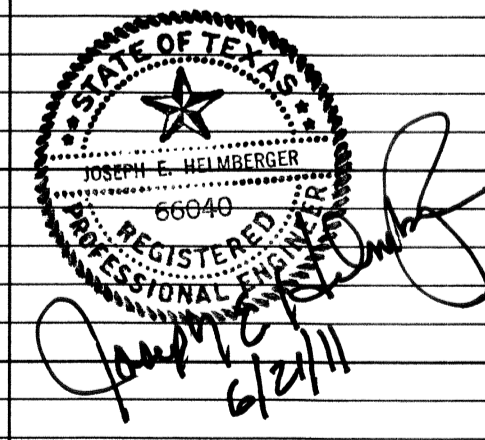
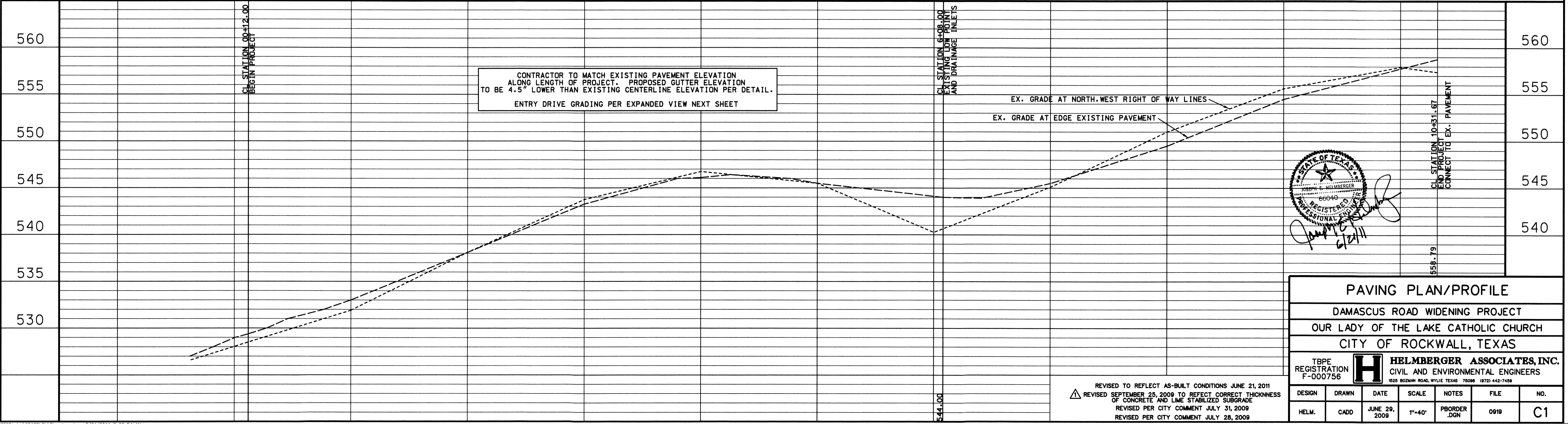
AS-BUILT DRAWING 06-21-11

TO THE BEST OF OUR KNOWLEDGE, HELMBERGER ASSOCIATES, INC. HEREBY  
STATES THAT THIS PLAN IS AS-BUILT. THIS INFORMATION PROVIDED IS BASED ON  
SURVEYING AT THE SITE AND INFORMATION PROVIDED BY THE CONTRACTOR.

Survey work provided by Mr. Jay Bedford, RPLS, A.J. Bedford Group, Inc., 301 North  
Alamo, Rockwall, Texas 75043. Phone: 972.722.0225.

A-built utilities, paving and drainage information obtained from record drawings on file  
with the City of Rockwall and information provided by Our Lady of the Lake Catholic  
Church.

0+00 1+00 2+00 3+00 4+00 5+00 6+00 7+00 8+00 9+00 10+00



PAVING PLAN/PROFILE						
DAMASCUS ROAD WIDENING PROJECT						
OUR LADY OF THE LAKE CATHOLIC CHURCH						
CITY OF ROCKWALL, TEXAS						
TBPE REGISTRATION F-000756		<b>HELMBERGER ASSOCIATES, INC.</b> CIVIL AND ENVIRONMENTAL ENGINEERS 1025 BOZEMAN ROAD, WYLLIE TEXAS 75086 (972) 442-7458				
DESIGN	DRAWN	DATE	SCALE	NOTES	FILE	NO.
HELM.	CADD	JUNE 28, 2009	1"=40'	.DGN	0919	C1

REVISED TO REFLECT AS-BUILT CONDITIONS JUNE 21, 2011  
REVISED SEPTEMBER 25, 2009 TO REFLECT CORRECT THICKNESS  
OF CONCRETE AND LIME STABILIZED SUBGRADE  
REVISED PER CITY COMMENT JULY 31, 2009  
REVISED PER CITY COMMENT JULY 28, 2009