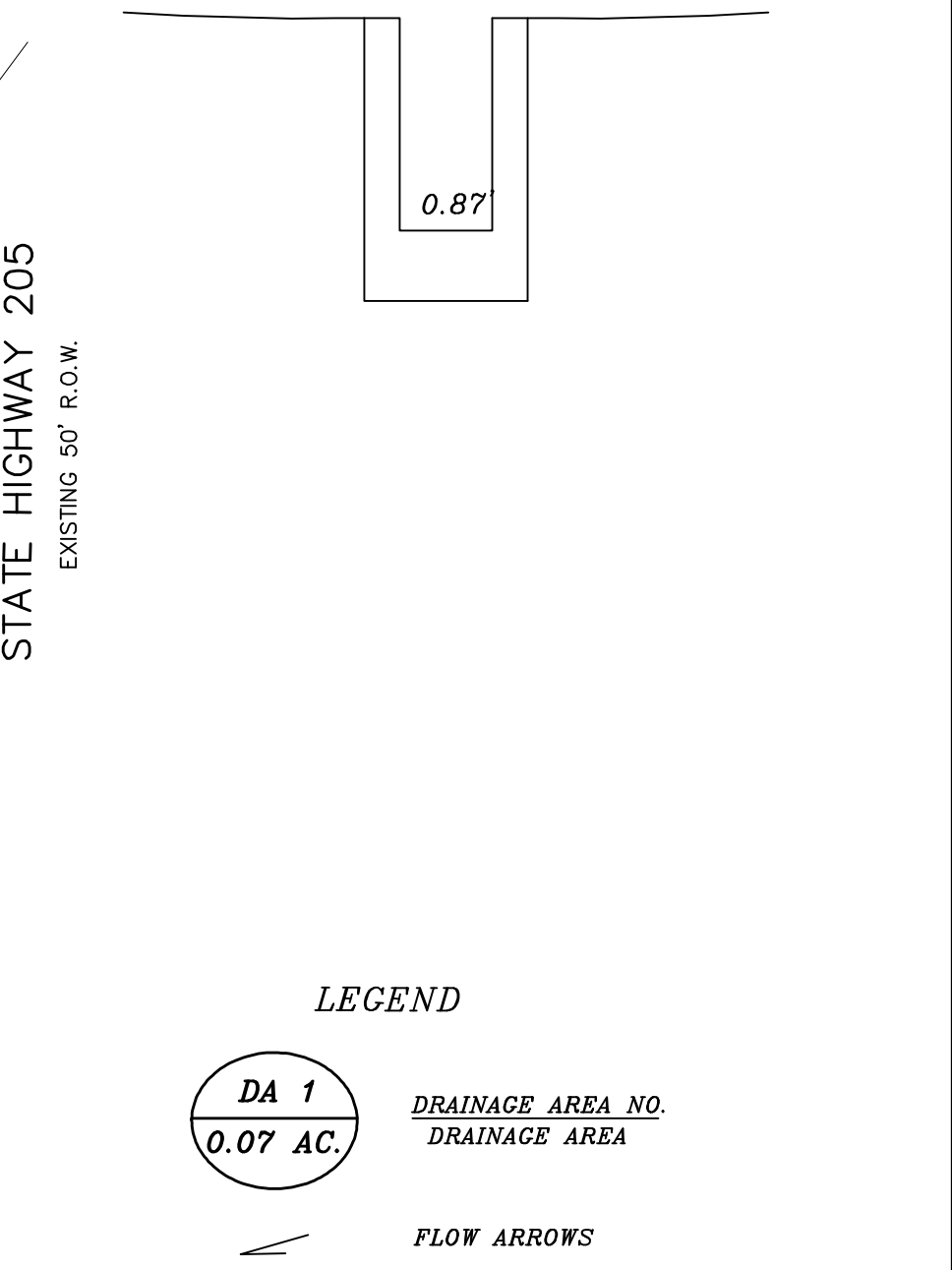
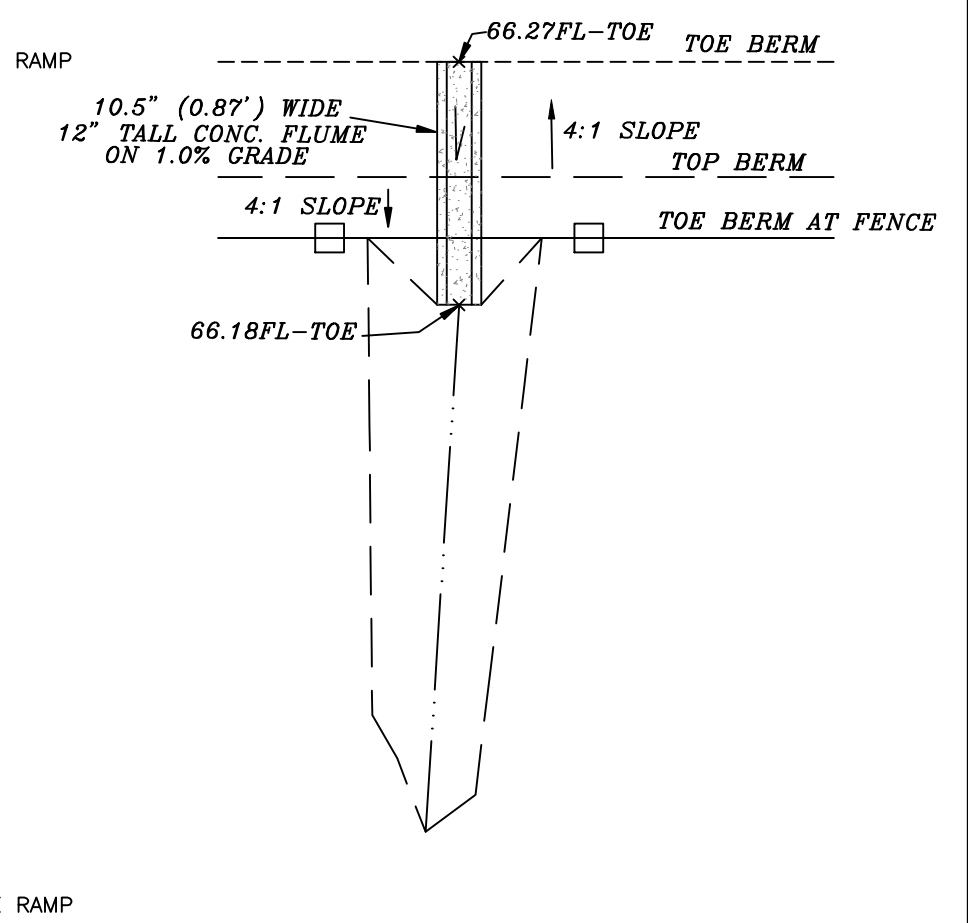
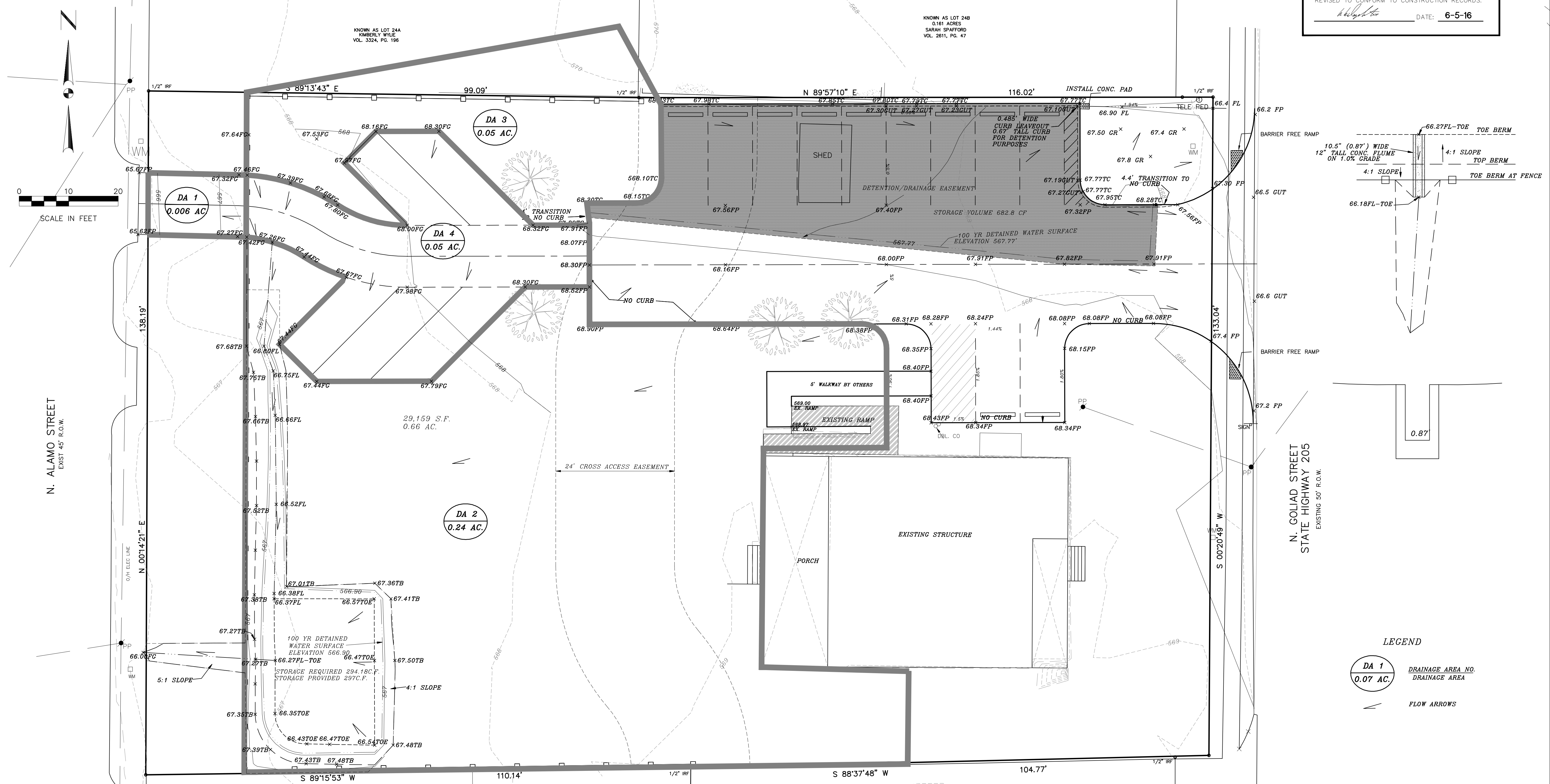


REVISED TO CONFORM TO CONSTRUCTION RECORDS.
 DATE: 6-5-16



LEGEND
 DA 1 0.07 AC DRAINAGE AREA NO. DRAINAGE AREA
 FLOW ARROWS

NOTE: DETENTION POND TO BE INSTALLED AND FULLY FUNCTIONING PER PLAN PRIOR TO ANY PAVING BEING INSTALLED

PRECONSTRUCTION CONDITIONS TOTAL ALLOWABLE RELEASE RATE
 PRE DA1+DA2+DA3+DA4 = 1.71 CFS
 POST CONSTRUCTION BYPASSED = POST DA1 = .05 CFS
 ALLOWABLE RELEASE RATE FROM DETENTION POND = 1.71 - .05 = 1.66 CFS

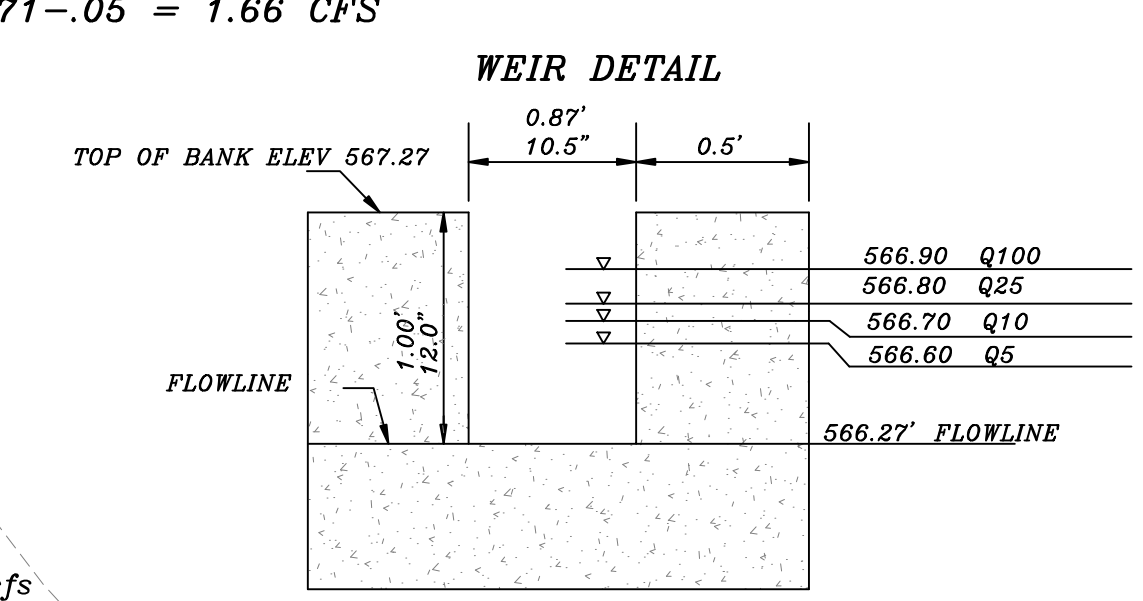
PRE-DRIVE DRAINAGE TABLE

DRAINAGE AREA NO.	ACRES	T.C. (MIN.)	C	I 100 YR.	Q 100 YR.	SUM Q 100 YR.	COMMENTS
1	0.006	10	0.5	9.8	0.03	0.03	TO ALAMO
2	0.24	"	"	"	1.18	1.21	TO ALAMO
3	0.05	"	"	"	0.25	1.46	TO ALAMO
4	0.05	"	"	"	0.25	1.71	TO ALAMO

POST-DRIVE DRAINAGE TABLE

DRAINAGE AREA NO.	ACRES	T.C. (MIN.)	C	I 100 YR.	Q 100 YR.	SUM Q 100 YR.	COMMENTS
1	0.006	10	0.9	9.8	0.05	0.05	TO ALAMO
2	0.24	"	0.5	"	1.18	1.18	TO DETNTN - PASS THROUGH
3	0.05	"	0.5	"	0.25	1.43	TO DETNTN - PASS THROUGH
4	0.05	"	0.9	"	0.44	1.87	TO DETNTN

WEIR CALCULATIONS
 Rectangular Suppressed Weir
 $Q = 3.33 h^{3/2} (L - .2h)$
 $Q =$ Exist. Conditions Flowrate = 1.66 cfs
 $h_1 =$ Height of Weir at 100 yr elev = 7.6 in. = 0.63 ft.
 $L =$ Length of Weir
 $1.66 = 3.33 (.63)^{3/2} (L - .2(.63))$
 $L = 0.87$ ft. = 10.5 in.



STORAGE VOLUME STAGE

STORM	d	ELEVATION	VOLUME	Qallowable	Qactual
5 YR	0.33'	566.60	160.00	1.02	1.02
10 YR	0.43'	566.70	188.00	1.20	1.20
25 YR	0.53'	566.80	229.00	1.36	1.36
100 YR	0.63'	566.90	294.00	1.66	1.66

DOUPHRADE & ASSOCIATES, INC.
 ENGINEERING PROJECT MANAGEMENT SURVEYING
 2235 RIDGE RD. # 500 ROCKWALL, TEXAS 75087
 PHONE: (972) 771-9004 FAX: (972) 771-9005

DRAINAGE AREA MAP - CONCRETE DRIVE OUR HOUSE
 803 N. GOLIAD
 CITY OF ROCKWALL, TEXAS
 ROCKWALL COUNTY, TEXAS

10-13-15 REV. ACCESS ESMT. EX RAMP & PARKING REVISION
 CHECKED W.L.D.
 DRAWN GC.W.
 SCALE 1" = 10' H 1" = 1' V
 JULY 20, 2015
 DATE
 15016 DRN 2A
 PROJECT
 6A/14