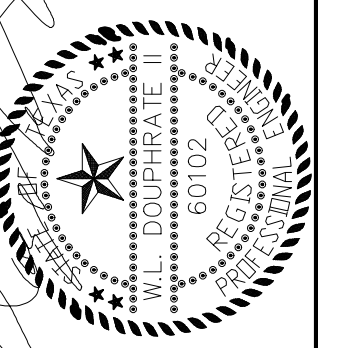


REVISED TO CONFORM TO CONSTRUCTION RECORDS.
W. Douphrate DATE: 6-5-16

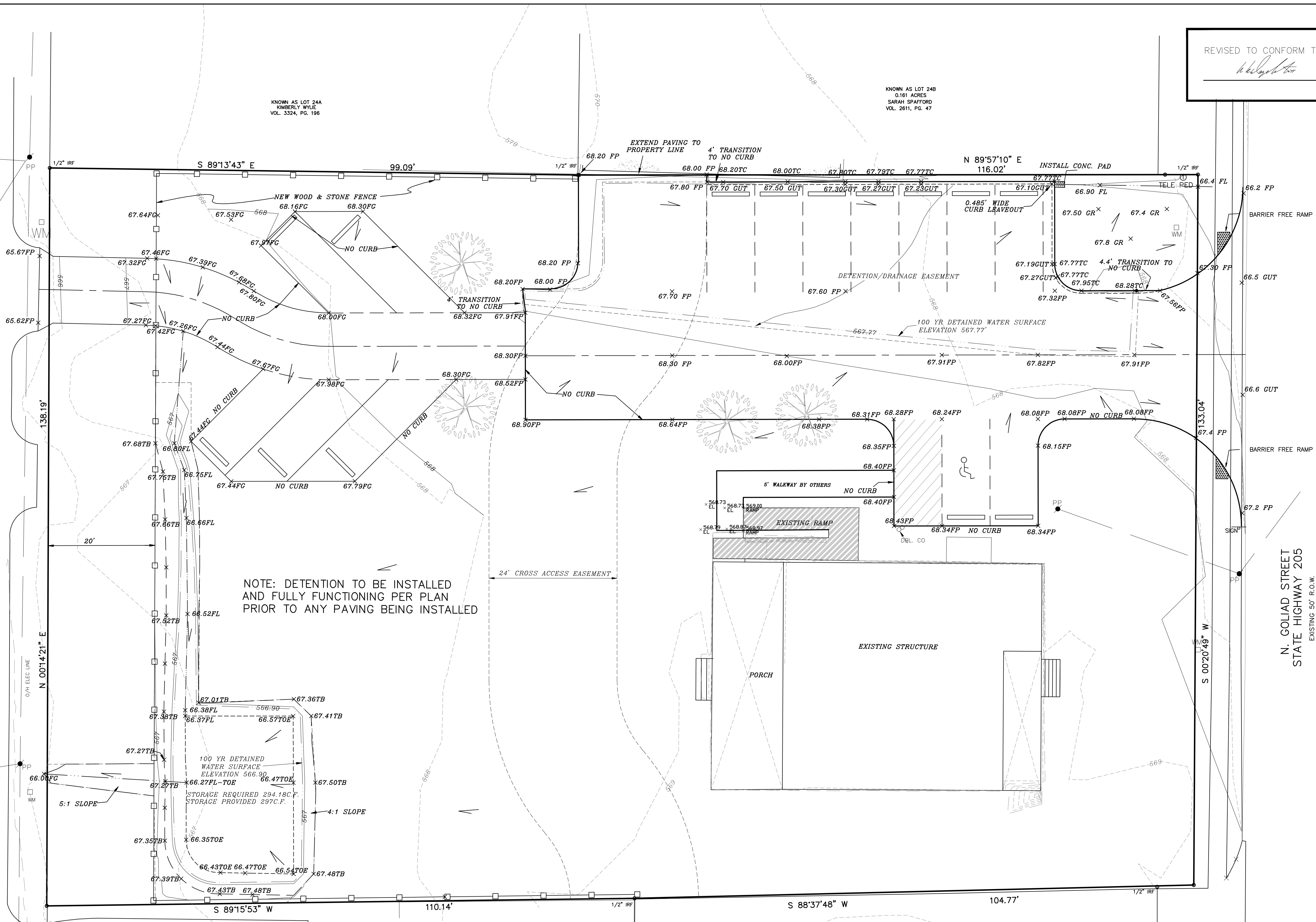
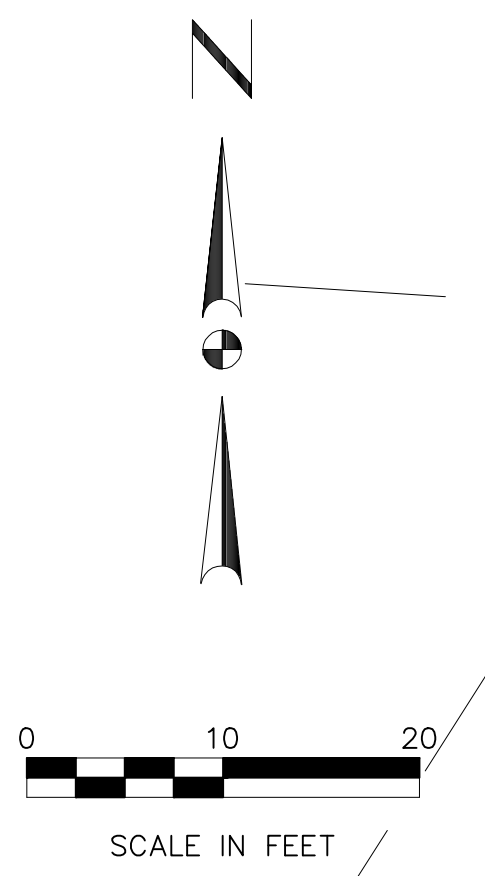


THE SEAL APPEARING ON THIS DOCUMENT IS THE PROPERTY OF W. DOUPHRATE & ASSOCIATES, INC. NO. 60002, F-886, ON DATE: JULY 20, 2015

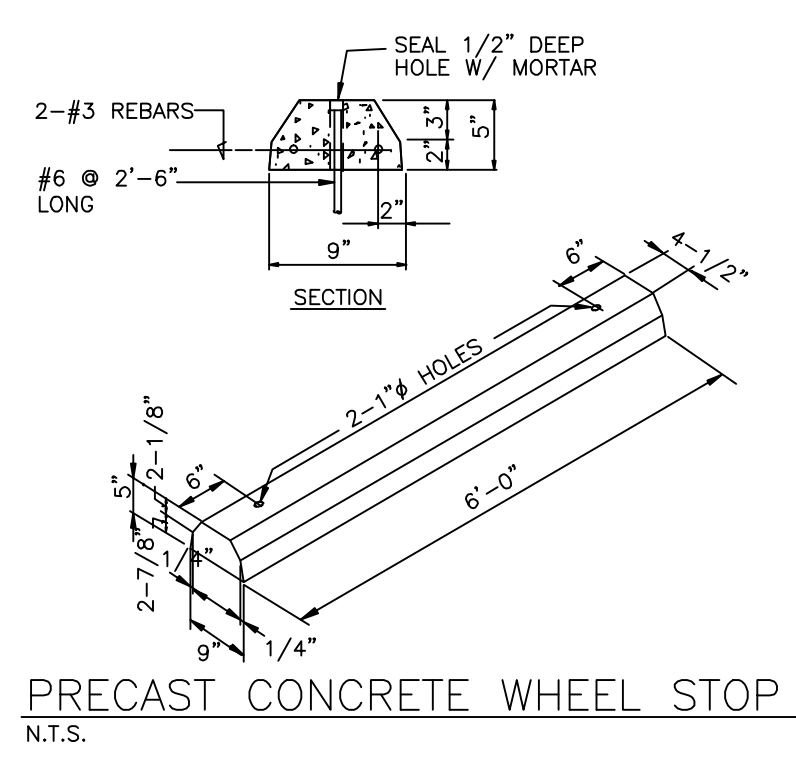
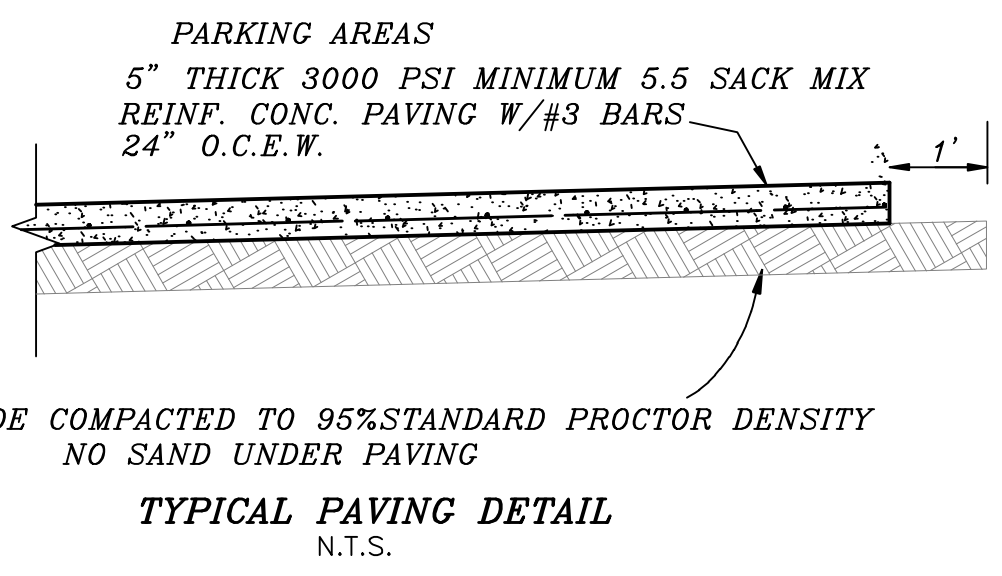
DOUPHRATE & ASSOCIATES, INC.
 ENGINEERING • PROJECT MANAGEMENT • SURVEYING
 2235 RIDGE RD., # 200 ROCKWALL, TEXAS 75087
 PHONE: (972)771-9004 FAX: (972)771-9005

CONCRETE DRIVE GRADING PLAN
OUR HOUSE
803 N. GOLIAD
CITY OF ROCKWALL
ROCKWALL COUNTY, TEXAS

10-13-15 REV. ACCESS ESMT., EX. RAMP & PARKING REVISION
 W.L.D.
 CHECKED
 GC.W.
 DRAWN
 SCALE 1"=10' H 1"=5' V
 DATE JULY 20, 2015
 PROJECT 15016 ROCK DRIVE 2
 5/14



NOTE: DETENTION TO BE INSTALLED AND FULLY FUNCTIONING PER PLAN PRIOR TO ANY PAVING BEING INSTALLED



- LEGEND**
- 77.26TC PROP. T.C. GRADE
 - 76.55CUT PROP. CUTTER GRADE
 - 76.75FP PROP. FINISHED CONC. GRADE
 - 76.00FC PROP. FINISHED GROUND GRADE
 - 67.66TB PROP. TOP OF BANK GRADE
 - 66.66FL PROP. FLOW LINE GRADE
 - 66.47TOE PROP. TOE OF SLOPE GRADE
 - WATER FLOW DIRECTION
 - EXISTING GROUND ELEVATION
 - EXISTING PAVING ELEVATION