

THE SEAL APPEARING ON THIS DOCUMENT WAS AUTHORIZED BY ME AS P.E. NO. 00102, STATE OF TEXAS, ON DATE: JULY 20, 2015.

DOUPHRATE & ASSOCIATES, INC.
ENGINEERING • PROJECT MANAGEMENT • SURVEYING
2235 RIDGE RD., # 200 ROCKWALL, TEXAS 75087
PHONE: (972)771-9004 FAX: (972)771-9005

GRADING PLAN
OUR HOUSE
803 N. GOLIAD
CITY OF ROCKWALL
ROCKWALL COUNTY, TEXAS

10-13-15 REV. ACCESS
ESMT., EX. RAMP &
PARKING
REVISION

W.L.D.
CHECKED

G.C.W.
DRAWN

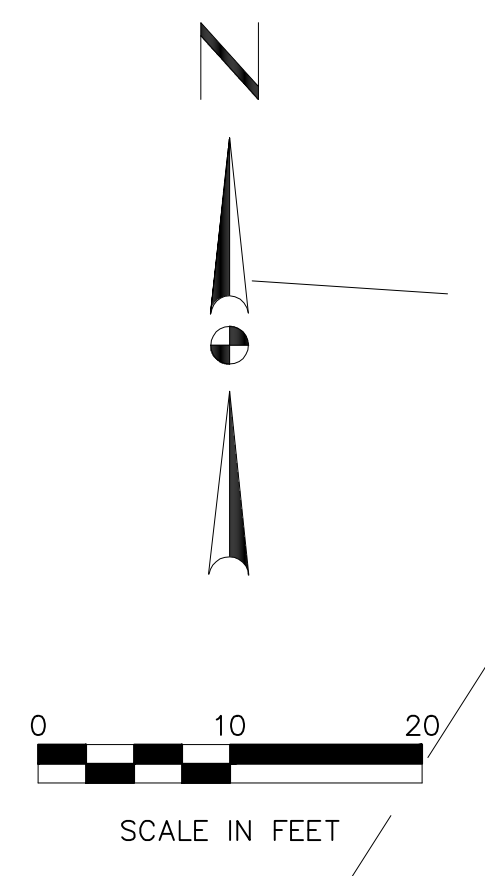
SCALE
1"=10' H
1"=5' V

JULY 20, 2015
DATE

15016 GFD 2
PROJECT

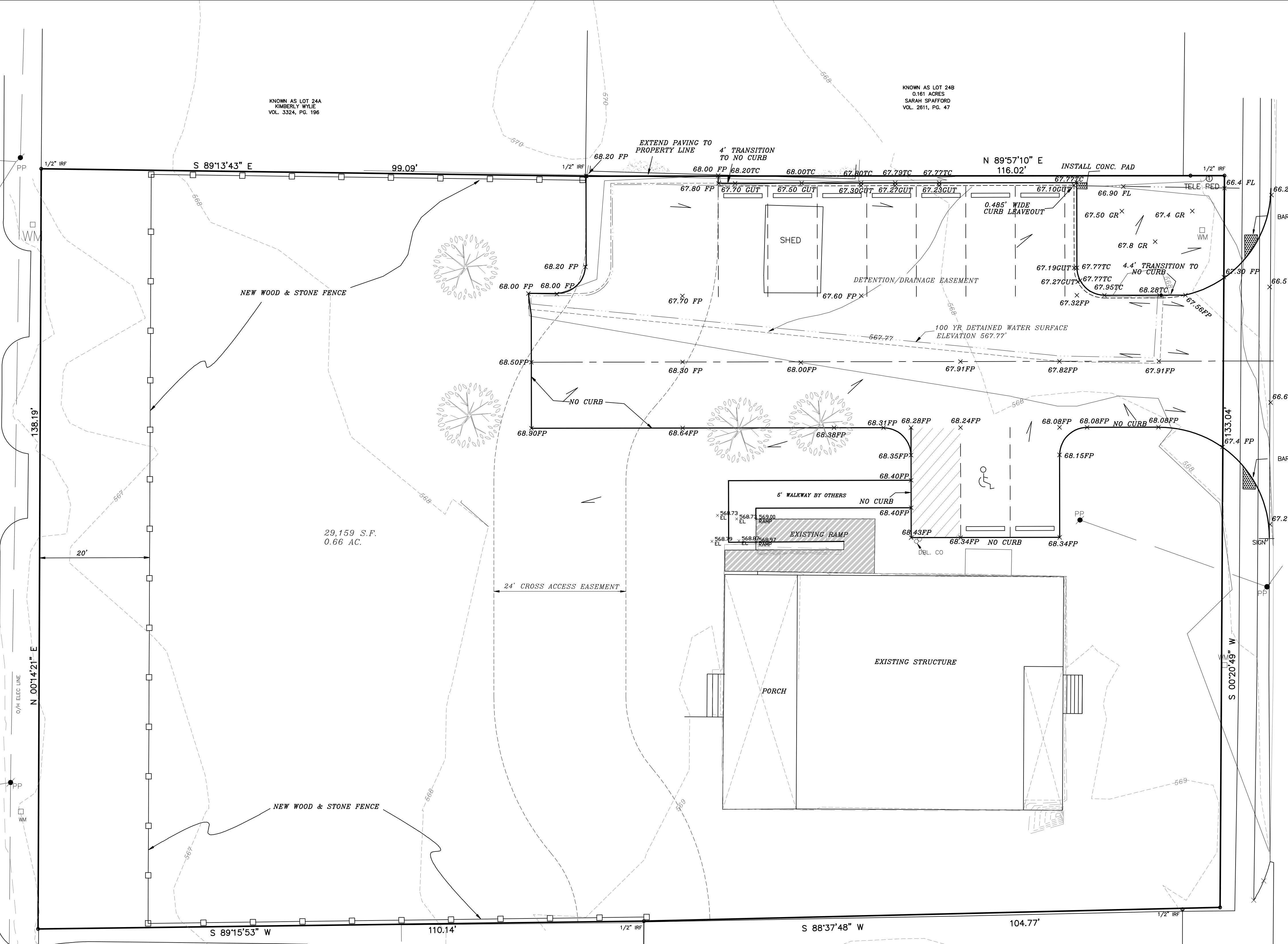
5/14

REVISED TO CONFORM TO CONSTRUCTION RECORDS.
DATE: 12-30-15



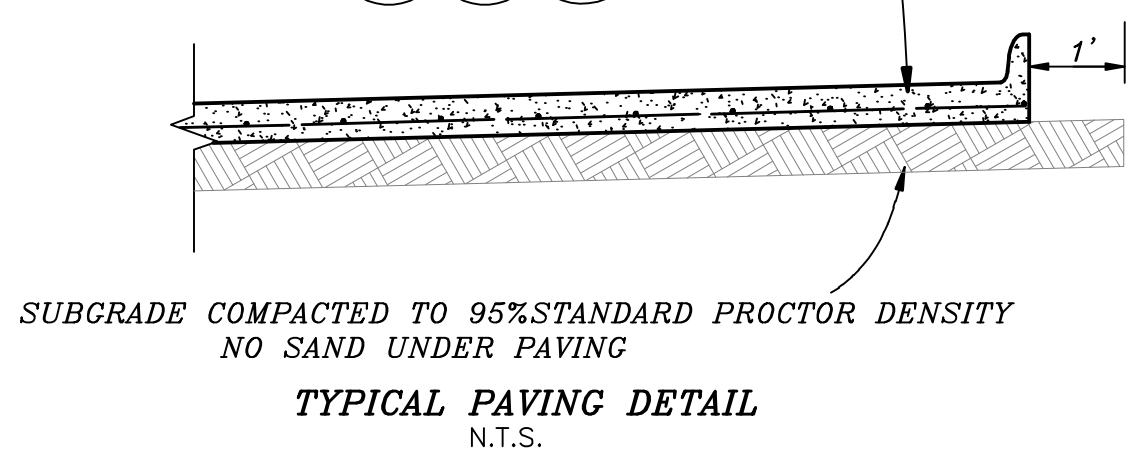
N. ALAMO STREET
EXIST 45' R.O.W.

N. GOLIAD STREET
STATE HIGHWAY 205
EXISTING 50' R.O.W.

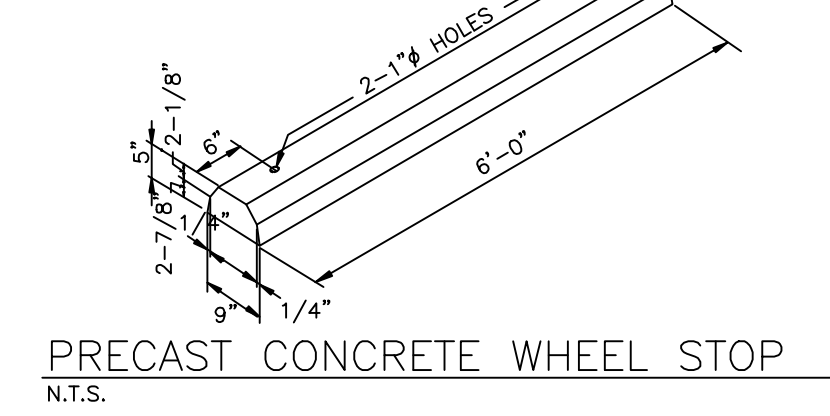
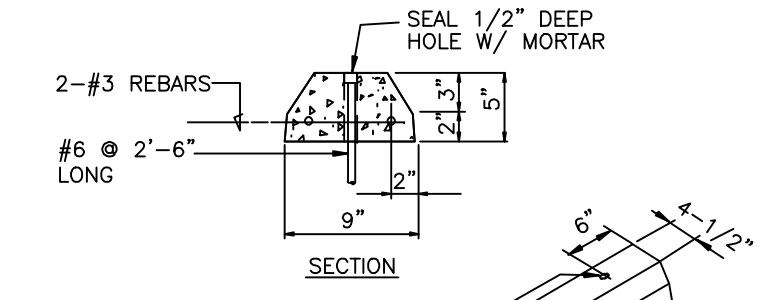
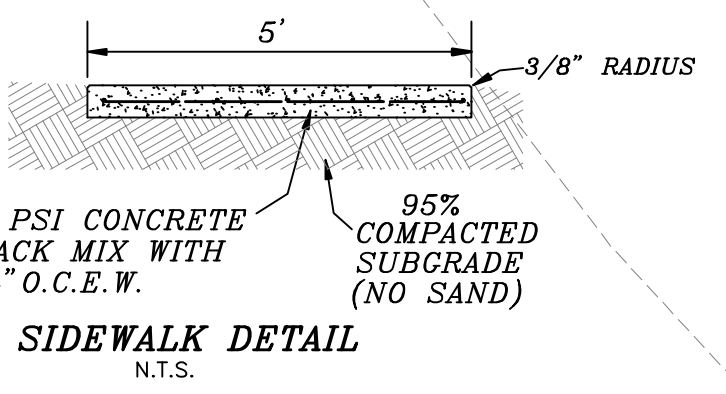


PARKING AREAS
5" THICK 3000 PSI MINIMUM 5.5 SACK MIX REINF. CONC. PAVING W/#3 BARS
24" O.C.E.W.

TXDOT DRIVEWAY APPROACH
5" THICK 3600 PSI 6-1/2 SACK MIX FOR HAND POUR REINF. CONC. PAVING W/#3 BARS
24" O.C.E.W.



CARLOS GUEVARA
MONICA GUEVARA
VOL. 5484, PG. 187
O.P.R.R.C.T.



NOTE: DIMENSIONS ARE TO BACK OF CURB OR EDGE OF PAVEMENT

- LEGEND**
- 77.26TC PROP. T.C. GRADE
 - 76.55GUT PROP. CUTTER GRADE
 - 76.75FP PROP. FINISHED CONC. GRADE
 - 76.00FC PROP. FINISHED GROUND GRADE
 - Water flow direction symbol WATER FLOW DIRECTION
 - Existing ground elevation symbol EXISTING GROUND ELEVATION
 - Existing paving elevation symbol EXISTING PAVING ELEVATION