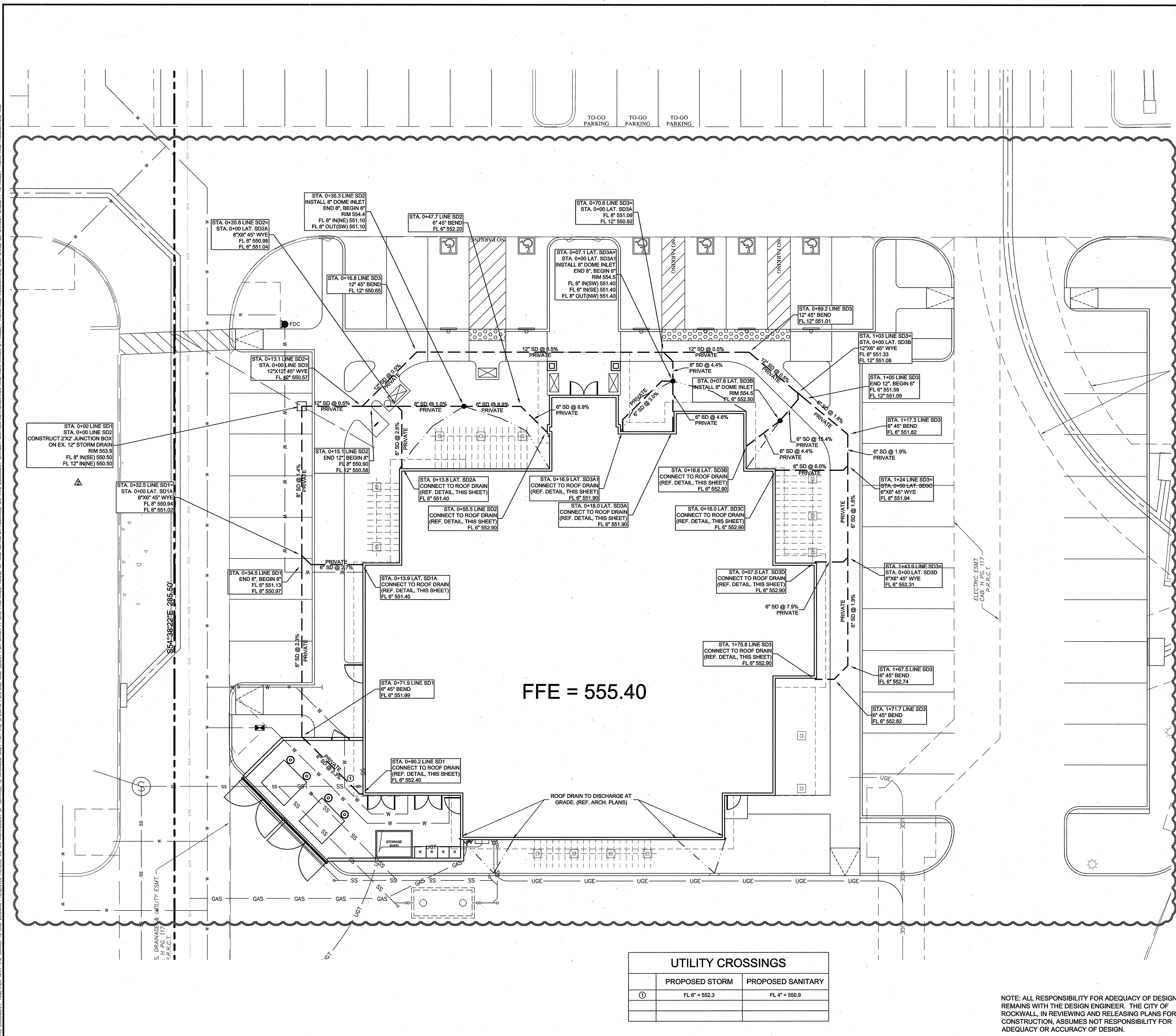


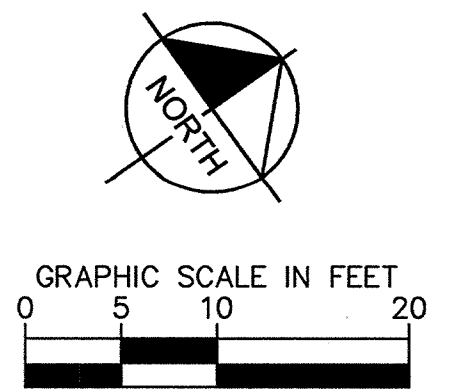
Drawing name: K:\SNA_CAD\DWG\2015\1505\150501.dwg Plot Date: 03/18/15 11:46 AM by: jmkim@crh.com
THIS DOCUMENT, TOGETHER WITH THE CONCEPTS AND DESIGN PRESENTED HEREIN, IS INTENDED ONLY FOR THE SPECIFIC PURPOSE AND CLIENT FOR WHICH IT WAS PREPARED. REUSE OF AND IMPROPER RELIANCE ON THIS DOCUMENT WITHOUT WRITTEN AUTHORIZATION AND ADAPTATION BY KIMLEY-HORN AND ASSOCIATES, INC. SHALL BE WITHOUT LIABILITY TO KIMLEY-HORN AND ASSOCIATES, INC.



FFE = 555.40

UTILITY CROSSINGS		
	PROPOSED STORM	PROPOSED SANITARY
①	FL 6" = 552.3	FL 4" = 550.9

NOTE: ALL RESPONSIBILITY FOR ADEQUACY OF DESIGN REMAINS WITH THE DESIGN ENGINEER. THE CITY OF ROCKWALL, IN REVIEWING AND RELEASING PLANS FOR CONSTRUCTION, ASSUMES NOT RESPONSIBILITY FOR ADEQUACY OR ACCURACY OF DESIGN.

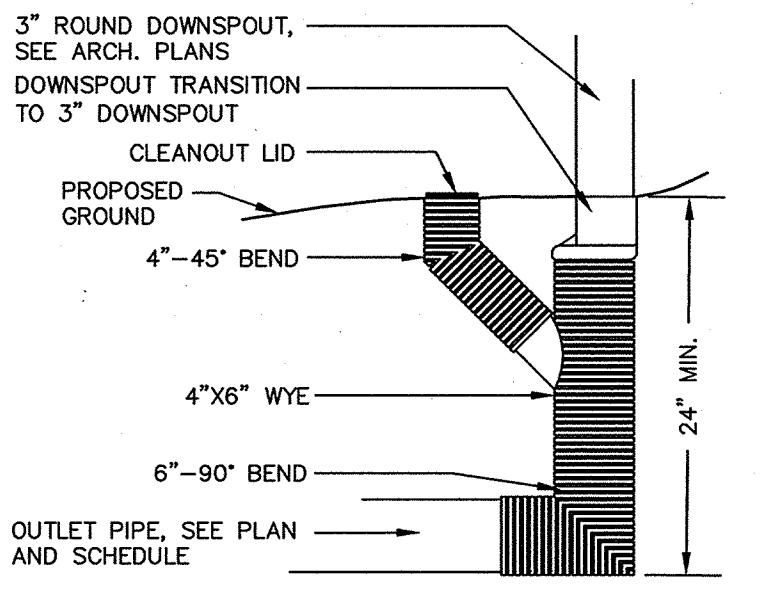


"RECORD DRAWING"
THIS DRAWING HAS BEEN REVISED TO SHOW THOSE CHANGES DURING THE CONSTRUCTION PROCESS VISUALLY VERIFIED BY A REPRESENTATIVE FROM OUR OFFICE AND REPORTED BY THE CONTRACTOR TO KIMLEY-HORN AND ASSOCIATES, INC. AND CONSIDERED TO BE SIGNIFICANT. THIS DRAWING IS NOT GUARANTEED TO BE "AS-BUILT" BUT IS BASED ON THE INFORMATION MADE AVAILABLE.

LEGEND

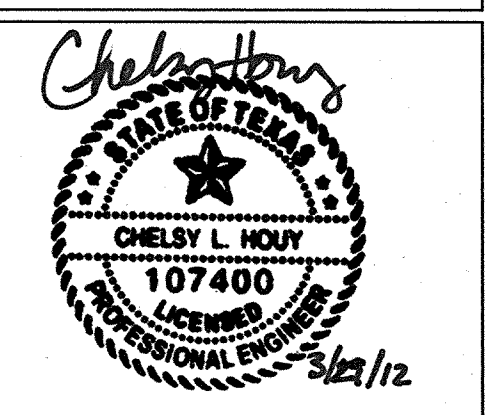
- ⊙ EXISTING SANITARY SEWER MANHOLE
- ⊕ EXISTING FIRE HYDRANT
- ⊕ LP EXISTING LIGHT POLE
- ⊕ WV EXISTING WATER VALVE
- W — EXISTING WATER LINE
- SS — EXISTING SANITARY SEWER LINE
- GAS — EXISTING GAS LINE
- UGE — EXISTING UNDERGROUND ELECTRIC LINE
- W — PROPOSED WATER LINE
- SS — PROPOSED SANITARY SEWER LINE
- ⊕ FDC PROPOSED FIRE DEPT. CONNECTION
- ⊕ PROPOSED WATER METER
- ⊕ PROPOSED BACKFLOW PREVENTER
- ⊕ PROPOSED LIGHT (REF. MEP PLANS)

- NOTES:**
- REFERENCE STORM SEWER NOTES ON SHEET C1.5 FOR PIPE MATERIAL REQUIREMENTS.
 - ALL PUBLIC STORM SEWER LINES MUST BE RCP.
 - REFERENCE SHEET ### FOR STORM SEWER DETAILS.
 - REFERENCE ARCHITECTURAL PLANS FOR ROOF DRAIN DETAILS.
 - ALL DIMENSIONS ARE TO CENTERLINE OF PIPE UNLESS NOTED OTHERWISE.
 - CONTRACTOR TO FIELD VERIFY LOCATION OF ALL UTILITIES PRIOR TO CONSTRUCTION. CONTACT ENGINEER IF FIELD CONDITIONS VARY.
 - CITY DOES NOT CHECK CAPACITY OF PRIVATE STORM SEWER.



ROOF DRAIN / DOWNSPOUT CONNECTION DETAIL
N.T.S.

BENCHMARKS
VERTICAL DATUM - NAVD 88
City of Rockwall monument No. 50 (reset R005-1) - a concrete monument with brass cap found in the center median of Summit Ridge Drive at its intersection with F.M. HWY No. 740. Elevation=578.63'
City of Rockwall monument No. 51 (reset #1) - a concrete monument with brass cap found near the northwest corner of a parking lot adjacent to the southwest corner of the intersection of Summer Lee and F.M. 740. Elevation=567.70'
BM-1
"X" set on the west corner of a concrete curb inlet located on the northwest side of a parking lot approximately 60 feet southeast from the center of the east bound service road of IH 30 and 270 feet southwest from the center of the northernmost entrance to Plaza of Rockwall. Elevation=552.98'



Issue Date: 07/18/11

REVISION INFORMATION

NO.	DATE	REVISION
1	07/21/11	GENERAL REVISIONS
2	09/07/11	CITY COMMENTS
3		
4		
5		
6		
7		

Restaurant #: 11L0042

OLIVE GARDEN
PROTOTYPE OG-P-75R
ROCKWALL BUSINESS
PARK EAST SUBDIVISION
1043 EAST IH-30

AUTHORIZED FOR: PERMIT/BID

ROCKWALL, TEXAS

DRAWING

STORM SEWER PLAN