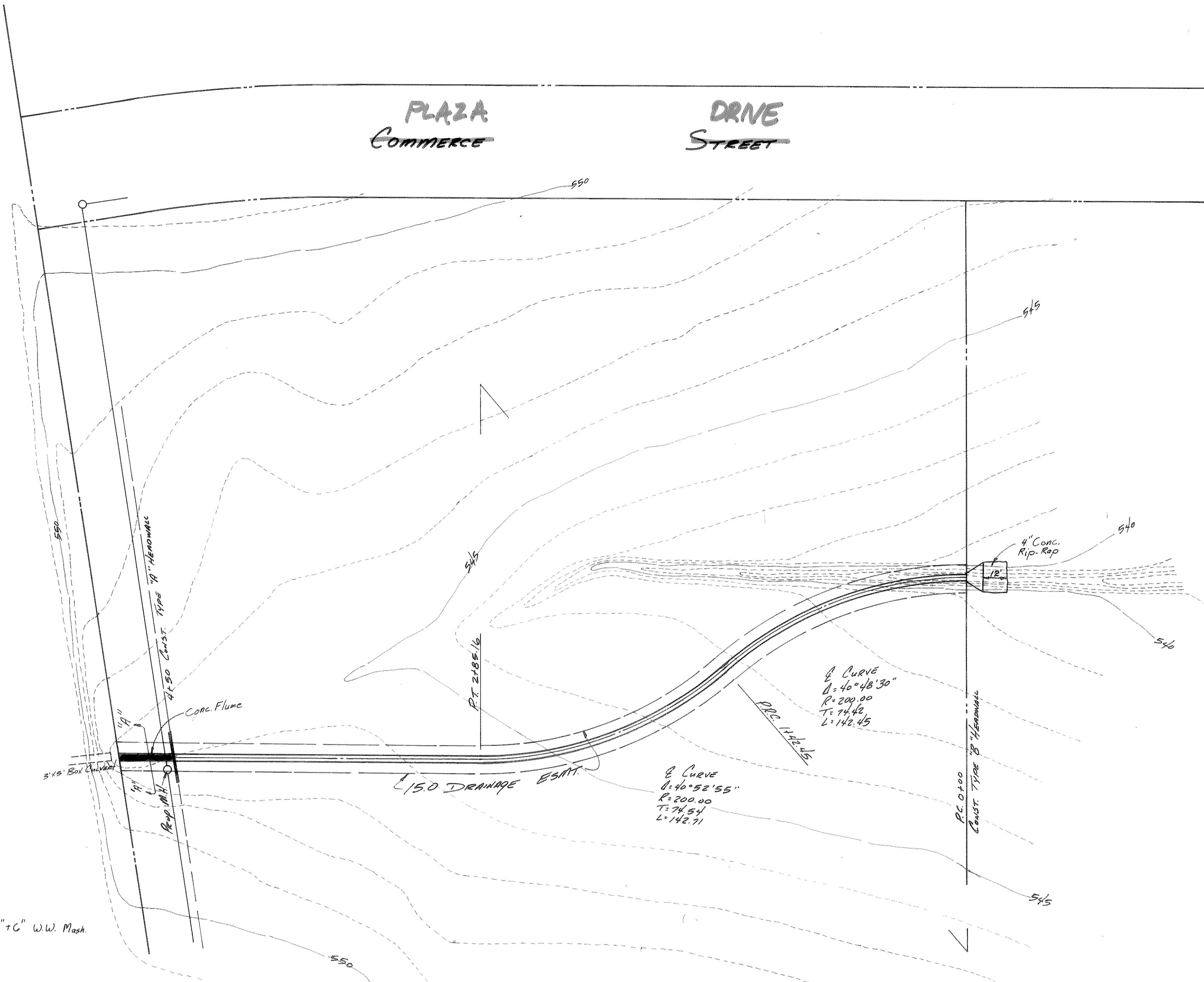
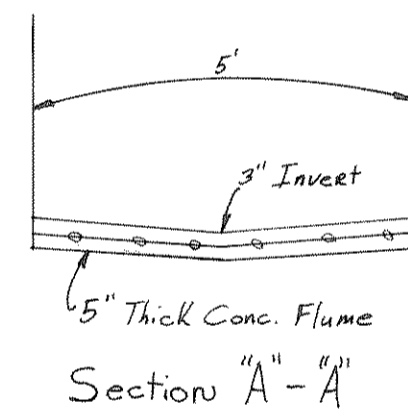


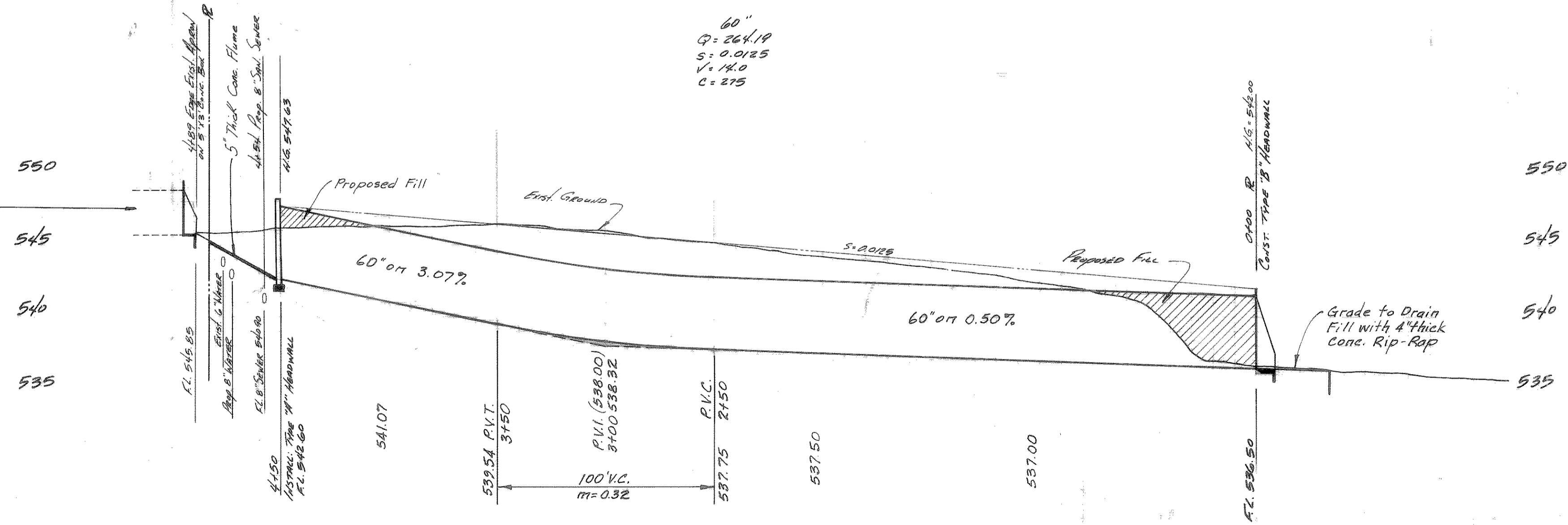
PLAZA DRIVE
COMMERCE STREET

INTERSTATE
HIGHWAY No. 30



BENCH MARK:
R.R. SPINE at P.P. at
North Corner of Proposed
Elev. 540.72

Info. from T.H.D. Plans
Along 40.0 Acres
C.X.A. = 24.0
I₉₀ = 8.91
Q = 24 cfs.



AS BUILT

STORM SEWER PLAN						
ROCKWALL BUSINESS PARK EAST						
CITY OF ROCKWALL.....ROCKWALL COUNTY, TEXAS						
HAROLD L. EVANS & CONSULTING ENGINEER						
DESIGN	DRAWN	DATE	SCALE	NOTES	FILE	NO.
	M.L.P.	August, 1982	1" = 40' H 1" = 6' V			0176

REVISED 3-9-83