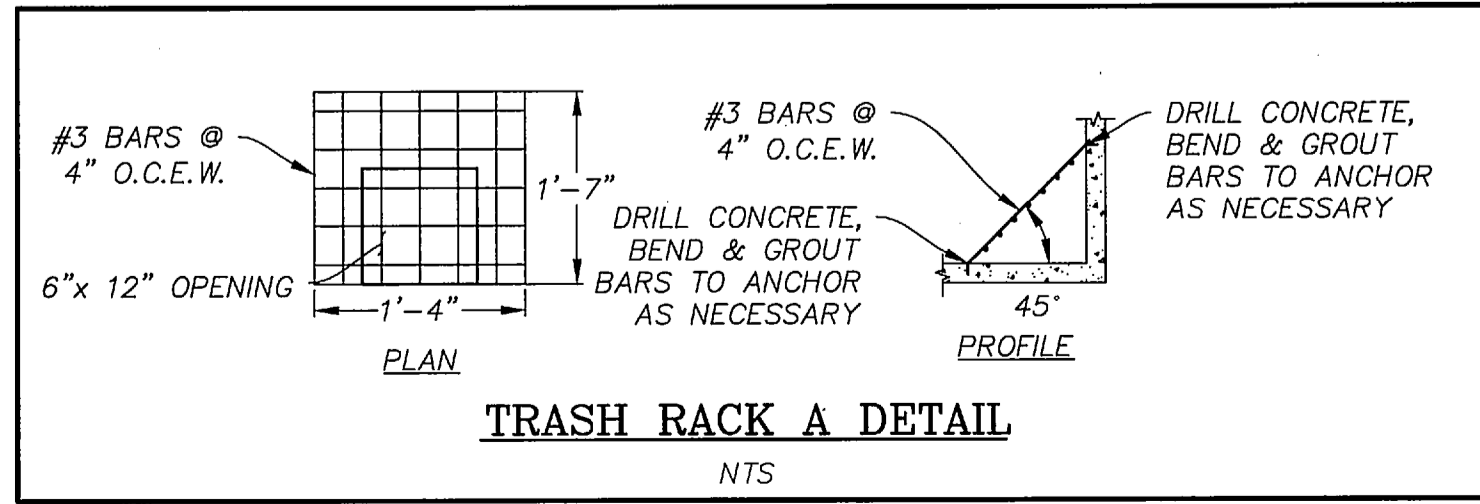
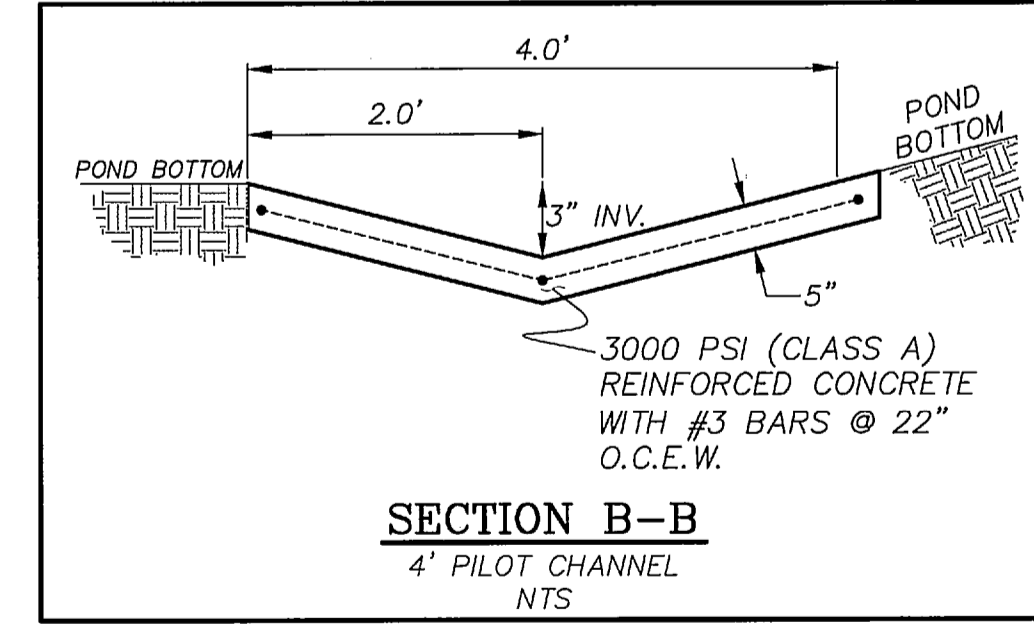
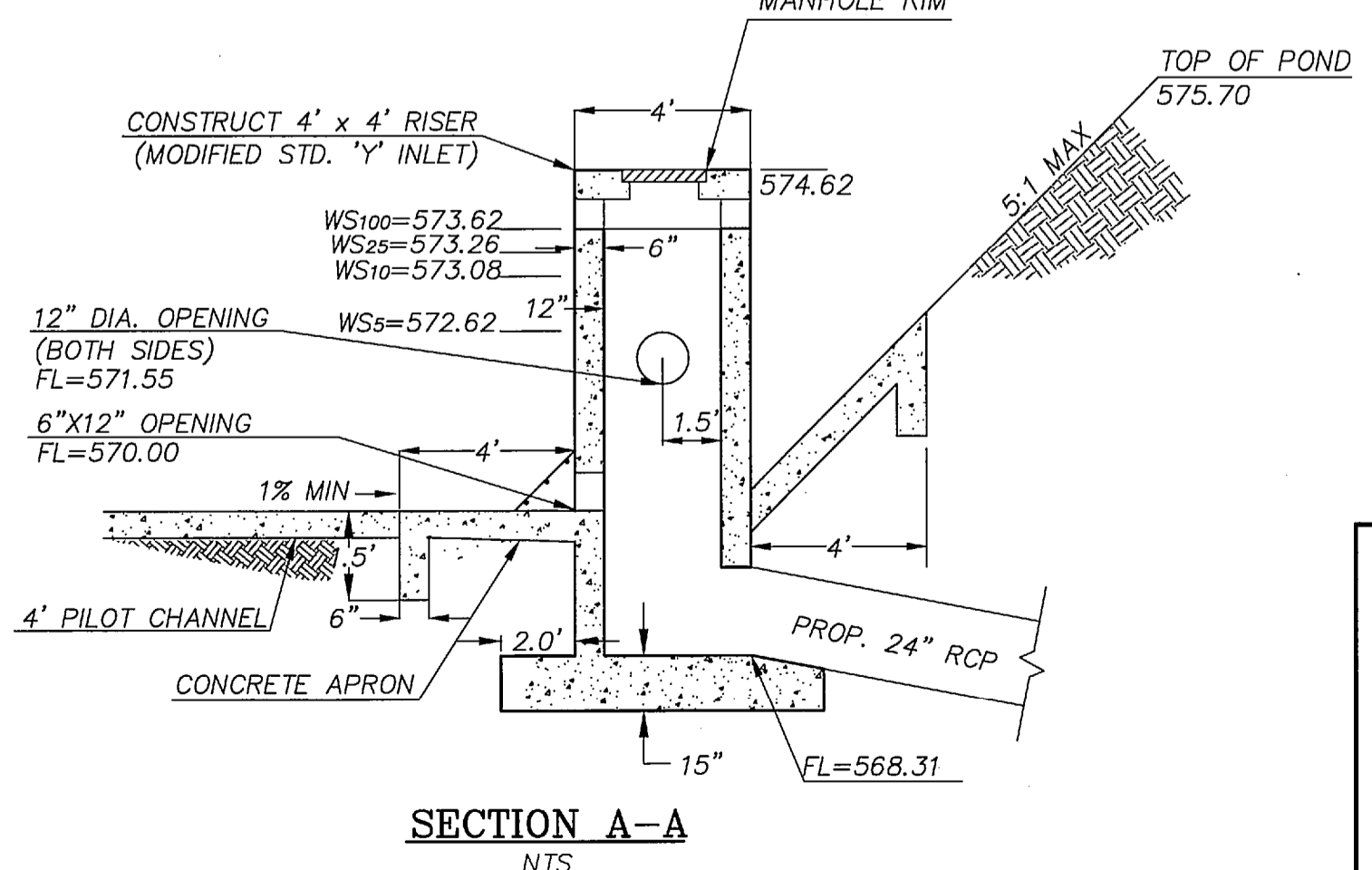
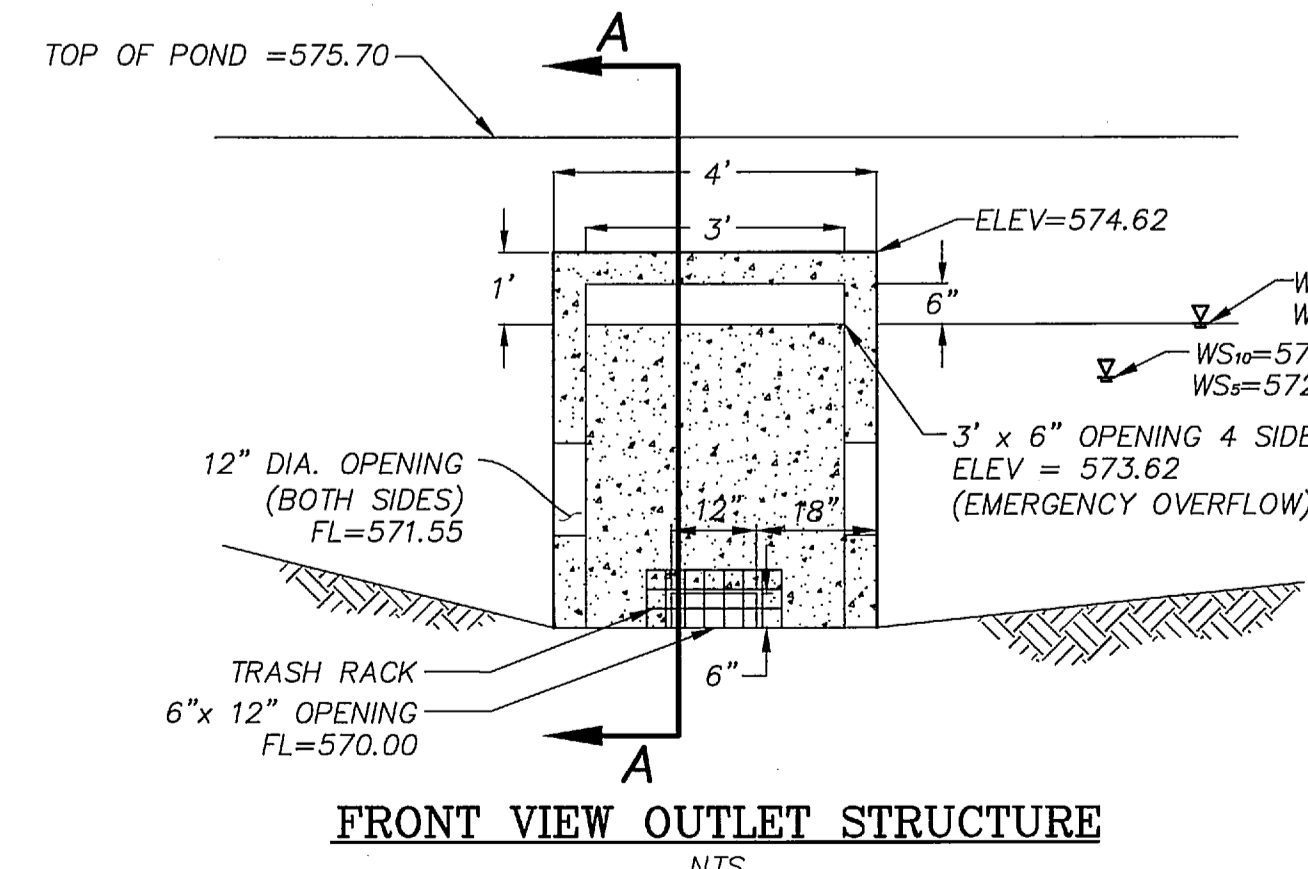
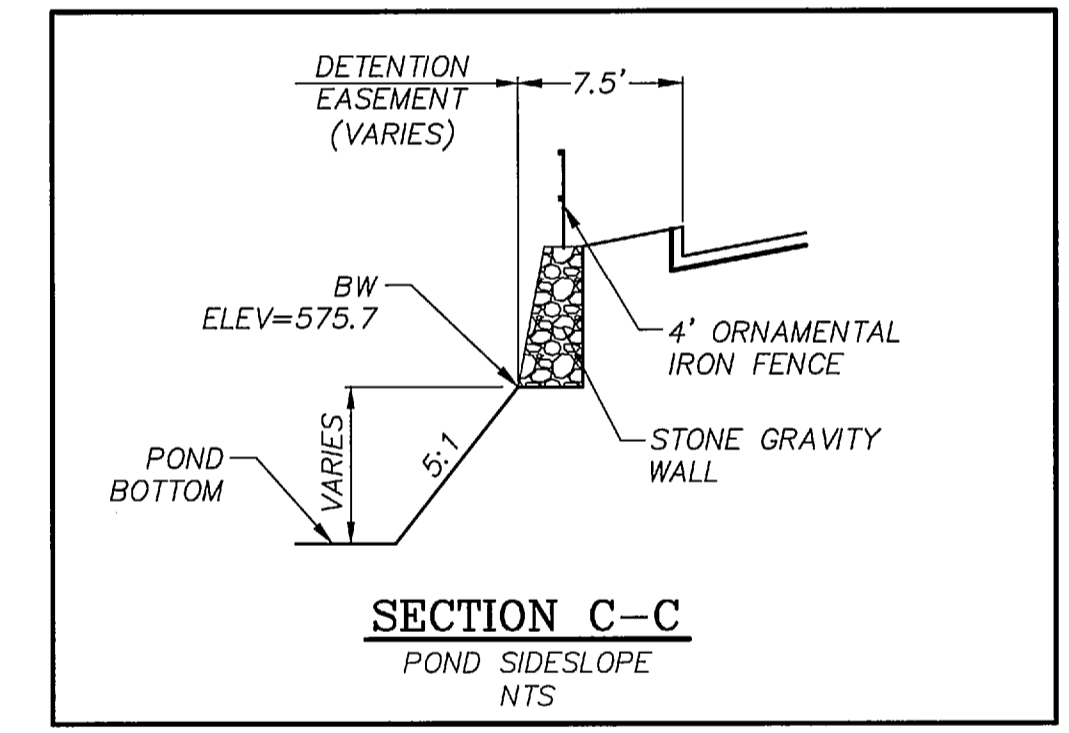


- NOTES:**
- CONTRACTOR TO PROVIDE RETAINING WALL DESIGN AND PROCESS THROUGH CITY FOR APPROVAL.
 - REFER TO SHEETS 22-23 FOR STORM DETAILS.
 - REFER TO SHEET 12 FOR LINE SD-C PROFILE.
 - ALL PROPOSED CONSTRUCTION SHALL BE IN ACCORDANCE WITH THE CITY OF ROCKWALL STANDARDS AND SPECIFICATIONS AND THE STANDARD SPECIFICATIONS FOR PUBLIC WORKS CONSTRUCTION BY NCTCOG 3RD EDITION. A COPY OF THE CITY STANDARDS AND SPECIFICATIONS FOR USE ON THIS PROJECT MAY BE OBTAINED FROM THE CITY OF ROCKWALL'S WEBSITE.
 - TRENCH EXCAVATION FOR TRENCHES 5 FEET OR MORE IN DEPTH SHALL BE IN ACCORDANCE WITH ALL PROVISIONS OF PART 192B, SUBPART B - "EXCAVATIONS, TRENCHING AND SHORING OF THE OCCUPATIONAL SAFETY AND HEALTH'S STANDARDS AND INTERPRETATIONS". IT SHALL BE THE RESPONSIBILITY OF THE CONTRACTOR TO CONFIRM TO THE ABOVE PROVISIONS AND PROVIDE NECESSARY TRENCH SAFETY PLANS TO THE CITY PRIOR TO RELEASE OF PLANS FOR CONSTRUCTION.
 - SEE SHEET 16 FOR DETENTION POND CALCULATIONS MODIFIED RATIONAL METHOD UTILIZED TO DESIGN POND.
 - REFER TO GEOTECHNICAL REPORT FOR EARTHWORk SPECIFICATIONS.
 - CONTRACTOR SHALL PROVIDE RETAINING WALL DESIGN AND PROCESS THROUGH CITY FOR APPROVAL.



RESPONSIBILITY NOTE:
 "ALL RESPONSIBILITY FOR ADEQUACY DESIGN REMAINS WITH THE DESIGN ENGINEER. THE CITY OF ROCKWALL, IN REVIEWING AND RELEASING PLANS FOR CONSTRUCTION, ASSUMES NO RESPONSIBILITY FOR ADEQUACY OR ACCURACY OF DESIGN."

BENCHMARK:
 BM NO. 1
 BOX CUT ON TOP OF THE WEST CURB LINE OF SH 205 BYPASS, ON THE SOUTH CURB RETURN OF A DRIVEWAY, 615' SOUTH OF THE CENTERLINE OF SH 276, AND 19' NORTHEAST OF A 5/8" CAPPED IRON ROD STAMPED "MYCOSKIE MCINNIS".
 PUBLISHED NAVD88 ELEV: 600.69'

BM NO. 2
 BOX CUT ON TOP OF THE WEST CURB LINE OF SH 205 BYPASS, ON THE SOUTH CURB RETURN OF A DRIVEWAY, 615' SOUTH OF THE CENTERLINE OF SH 276, AND 19' NORTHEAST OF A 5/8" CAPPED IRON ROD STAMPED "MYCOSKIE MCINNIS".
 ELEV: 581.15'

GENERAL UTILITY NOTES:
 ALL EXISTING UTILITY DATA IS PROVIDED FOR INFORMATION ONLY. ALTHOUGH THIS DATA IS SHOWN AS ACCURATELY AS POSSIBLE, THE CONTRACTOR IS CAUTIONED THAT THE OWNER AND THE ENGINEER NEITHER ASSUMES NOR IMPLIES ANY RESPONSIBILITY FOR THE ACCURACY OF THIS DATA. IT SHALL BE THE CONTRACTOR'S RESPONSIBILITY TO CONTACT THE UTILITY AFFECTED AND VERIFY THESE LOCATIONS AND ELEVATIONS PRIOR TO CONSTRUCTION.

CALL 1-800-344-8377 (DIG-TESS) OR OTHER UTILITY LOCATING SERVICES 48 HOURS PRIOR TO CONSTRUCTION ACTIVITY. MYCOSKIE MCINNIS ASSOCIATES, INC. IS NOT RESPONSIBLE FOR KNOWING ALL EXISTING UTILITIES OR DEPICTING EXACT LOCATIONS OF UTILITIES ON DRAWINGS.

**OAC SENIOR LIVING, LLC.
 ROCKWALL BY-PASS ADDITION
 DETENTION POND PLAN
 ROCKWALL, TEXAS**

PROJECT TITLE:
**OAC SENIOR LIVING, LLC.
 ROCKWALL BY-PASS ADDN.**

m|ma
 mycoskie+mcinnis+associates
 civil engineering surveying landscape architecture planning
 registration number: 1-2799
 200 east abram
 orlington, texas 76010
 817-469-1671
 fax: 817-274-8757
 www.mmatexas.com

RECORD DRAWINGS
 2-12-15
 PROJECT NUMBER: 2651-00-01
 PROJECT MANAGER: J. SUMPTER
 DRAWN BY: A.MCGINLEY
 CHECKED BY: A. CASCO
 ISSUE DATE: 04/30/2013

TO THE BEST OF OUR KNOWLEDGE MYCOSKIE MCINNIS ASSOCIATES, INC. HEREBY STATES THAT THIS PLAN IS AS-BUILT. THIS IS BASED ON SURVEY DATA, VISUAL POST-CONSTRUCTION FIELD OBSERVATIONS AND INFORMATION PROVIDED BY THE CONTRACTOR.

02.12.15 RECORD DRAWINGS AEC

REV. DATE DESCRIP. BY

SHEET CONTENT:
DETENTION POND PLAN