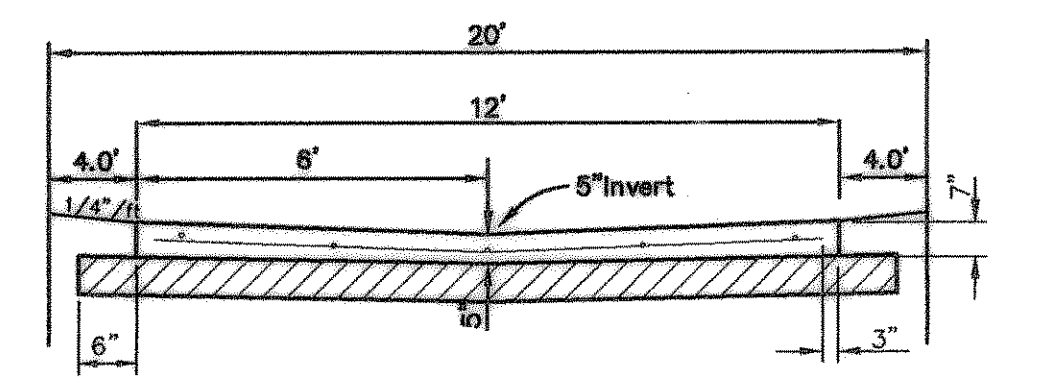


Typical 29' BB Pavement Section
Not To Scale



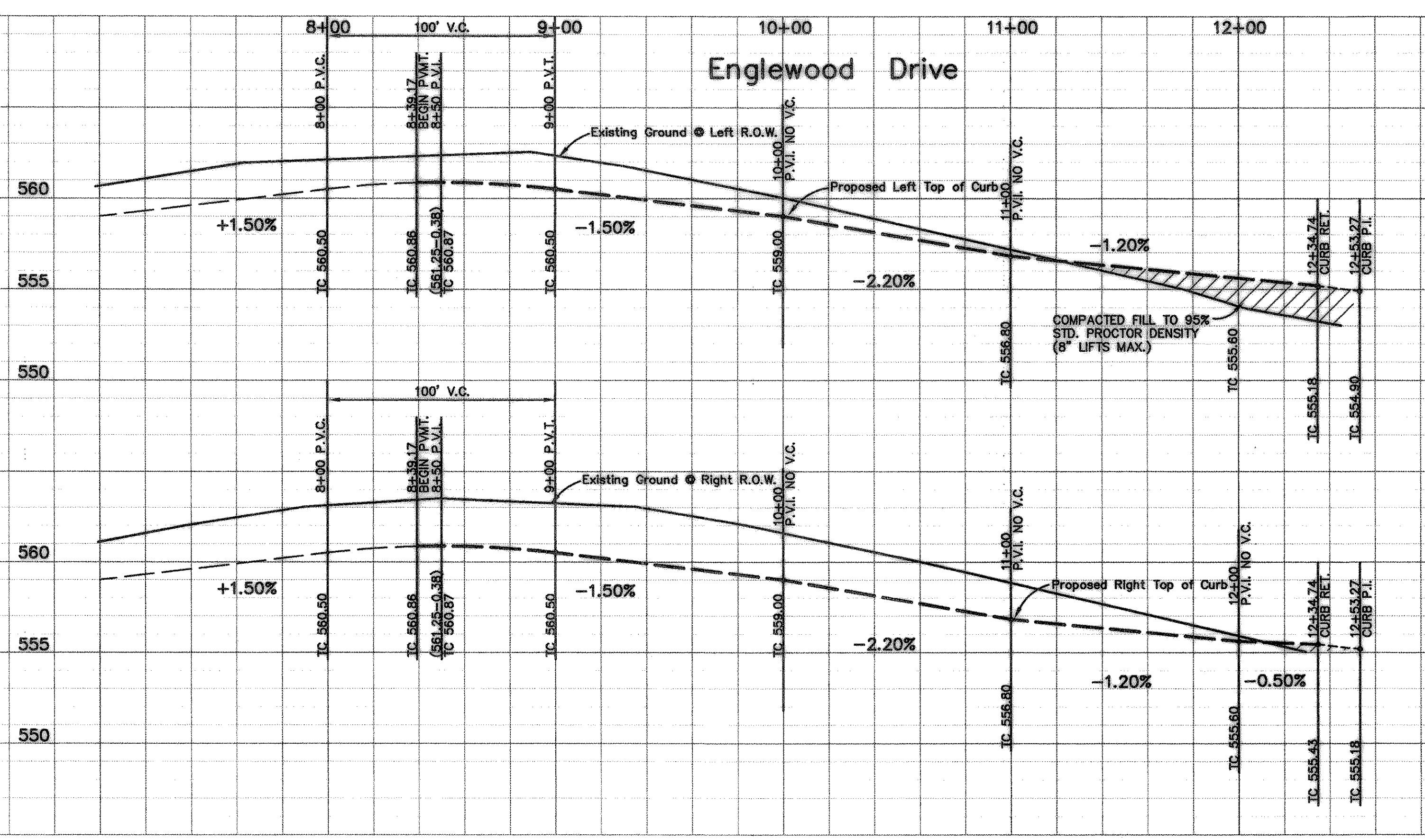
- Note!!**
- 7"-5"-7" Thick, 4000 P.S.I. Reinforced Concrete Pavement, No. 3 Bars @ 24" O.C. Eachway.
 - 6" Lime Stabilized Subgrade - Compacted To A Density Not Less Than 95% Std. Proctor.

Typical Alley Section

Bench Mark 1
A Standard U.S.C.&G.S. Disk Stamped 'M 929 1946'
Approx. 1.9 miles southeast along State Hwy. 205 from Courthouse at Rockwall to bridge at Buffalo Creek, at the northwest corner of the concrete bridge in the top of the concrete guardrail base approx. 17 feet southwest of the centerline of the highway, and approx. 3 feet southeast of the northwest end of the guardrail base.
Elevation = 524.85

Bench Mark 2
Top of Concrete ROW Marker, approx. 1.6 miles southeast along State Hwy. 205 and then approx. 0.6 miles east along FM 276 to intersection of paved road, at fence corner at southwest quadrant of intersection.
Elevation = 543.10

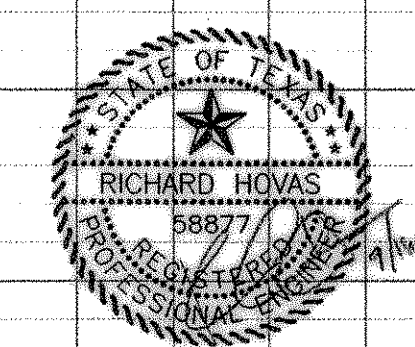
Note!!
Construct Barrier Free Ramps At All Intersection As Per City Standards.



AS BUILT PLANS
06/27/2000

The alignment and grade were set on the ground for construction per the plans. The engineer did not verify alignment or grades after construction. We are not aware of any changes or revisions to these plans during construction, except as noted.

Englewood Drive, Alley 'G'



PAVING PLAN						
MEADOWCREEK ESTATES II						
City of Rockwall, Texas						
TIPTON ENGINEERING, INC.						
6330 Broadway Blvd. ~ Suite C ~ Garland, Texas 75043						
DESIGN	DRAWN	DATE	SCALE	NOTES	FILE	NO.
T.E. Inc.	T.E. Inc.	8-98	1"=40'H 1"=5'V		4174	3