

EXSSMH
TOP 530.68
FL=522.63 Out
FL=522.78 In

EXSSMH(84+40)
TOP 528.22
FL=513.92 Out
FL=514.17 In

EXSSMH(85+50)
TOP 528.52
FL=514.32 Out
FL=514.42 In

BUFFALO CREEK INTERCEPTOR SEWER
PLANS DATED JUNE, 1982

Sta. 0+00 Line 'X' ~
Connect To Existing M.H.

Sta. 2+32.96 Line 'X' ~
Const. Std. 4 Ft. M.H.

Sta. 5+20-8+80 Line 'X' ~
Construct Aerial Crossing
Per City Standards

Sta. 7+32.96 Line 'X' ~
Sta. 0+55.28 Line 'A' ~
Const. Std. 4 Ft. M.H.

CAUTION
EXISTING OVERHEAD POWER
LINES, POWER POLES &
UNDERGROUND GTE
FIBER OPTIC CABLE
ALONG R.O.W.

Install:
1-8" x 8" Tee
1-8" x 6" Tee
3-8" Valves
1-6" Valve
1-Fire Hyd.

60 L.F. Bare For
8" Water Under
Existing Pavement

Install:
1-8" x 8" Tee
1-8" x 6" Tee
3-8" Valves
1-6" Valve
1-Fire Hyd.

Sta. 6+54.30 Line 'B' ~
Sta. 0+00 Line 'H' ~
Const. Std. 4 Ft. M.H.

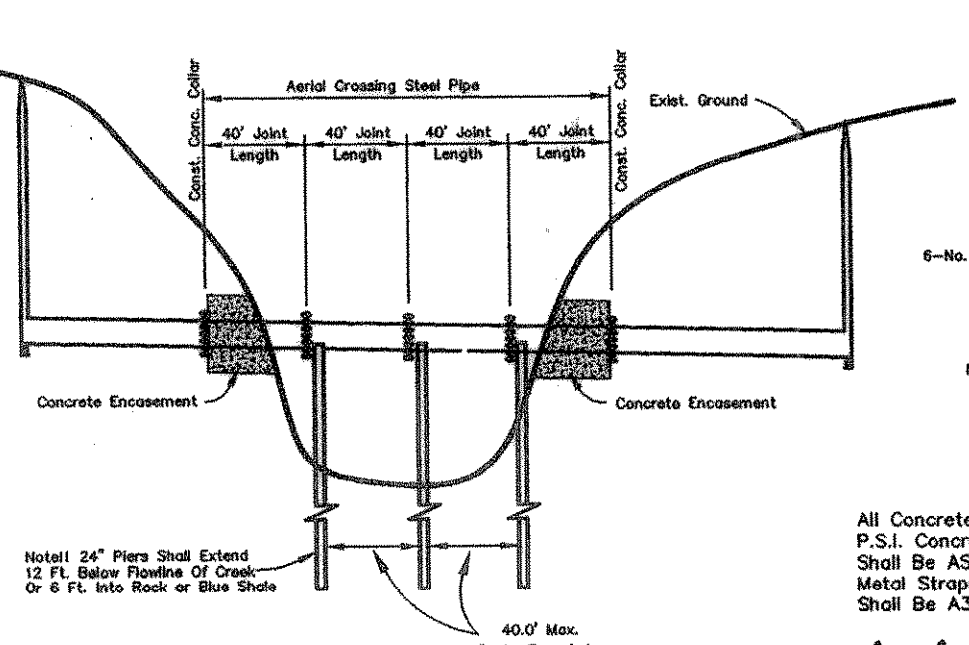
Install:
2-8" 45° Bends

Install:
1-8" x 6" Tee
1-8" Valve
1-6" Valve
1-Fire Hyd.

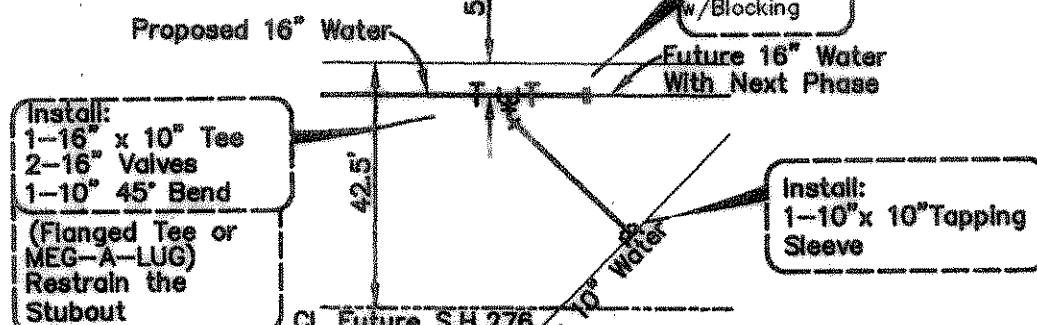
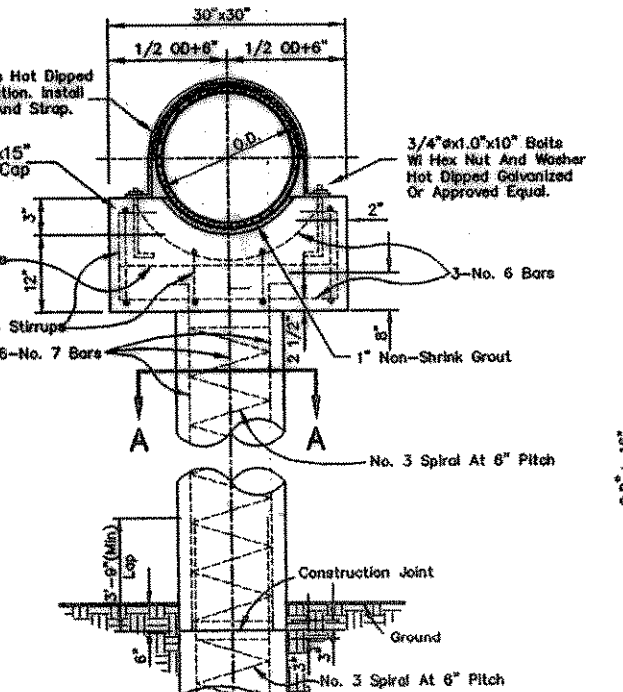
Install:
1-8" x 8" Tee
1-8" x 6" Tee
2-8" Valves
1-6" Valve
1-Fire Hyd.

Install:
1-16" x 6" Tee
1-6" Valve
1-Fire Hyd.

Install:
1-16" x 6" Tee
1-6" Valve
1-Fire Hyd.



**Aerial Crossing
Pier & Cap Detail**



**CAUTION !!!
EXISTING UTILITIES**

EXISTING UTILITIES AND UNDERGROUND FACILITIES INDICATED ON THESE PLANS HAVE BEEN LOCATED FROM REFERENCE INFORMATION. IT SHALL BE THE RESPONSIBILITY OF THE CONTRACTOR TO VERIFY BOTH HORIZONTALLY AND VERTICALLY THE LOCATION OF ALL EXISTING UTILITIES AND UNDERGROUND FACILITIES PRIOR TO CONSTRUCTION. TO TAKE NECESSARY PRECAUTIONS IN ORDER TO PROTECT ALL FACILITIES ENCOUNTERED. THE CONTRACTOR SHALL PRESERVE AND PROTECT ALL EXISTING UTILITIES FROM DAMAGE DURING CONSTRUCTION.

- GENERAL NOTES**
- All water lines shall be PVC Class 200 DR 14. Alternate may be D.I. Class 51 with Polywrap.
 - All water lines to have 42" minimum cover below approved street grades as required to clear other utilities.
 - All water services to be 1" polyethylene 200 PSI SDR located in the center of lot with cut-offs 3'-6" behind curb.
 - All sanitary sewer laterals shall be 4" and located 1'-0" downstream of water service, unless otherwise shown on plans.
 - All water mains shall pass a four (4) hour 165 psi pressure test in accordance with the City of Rockwall Specifications. Test to be made by the Contractor.
 - The Contractor shall record the location of all water and sewer services relative to lot corners. He shall also record any additions, deletions, or revisions to the plans which take place in the field. This information is to be furnished to the Engineer immediately after installation for the purpose of preparing "as-built" plans.
 - Meter boxes will be supplied & installed by the Contractor.
 - The Contractor shall be responsible for coordinating line and grade for all water, sanitary sewer, and storm sewer and appearances. The Engineer shall furnish this information upon request.
 - Plastic tape for utility to be attached to the end of all water and sewer service lines, and extended above ground level. The tape shall meet the following specifications.
 - "Allen Marking Tape" or equal
 - Tape marked continuously "Caution - Water Line" or "Caution - Sewer Line"
 - Six (6) inches in width
 - Red tape for sewer services
 - Blue tape for water services
 - All existing underground facilities, such as existing water lines, sanitary sewer lines, gas lines, storm sewer lines, telephone conduits, electrical conduits, etc., that might conflict with our proposed underground facilities must be uncovered and the location verified with the Contractor prior to any underground construction for this project. The Engineer shall assist the Contractor in determining locations and elevations of these existing underground facilities.
 - Ductile iron pipe shall be used at all utility crossings, 10 feet on each side.
 - Where ductile iron pipe is used at utility crossings, pipe shall be Class 51 with Polywrap.

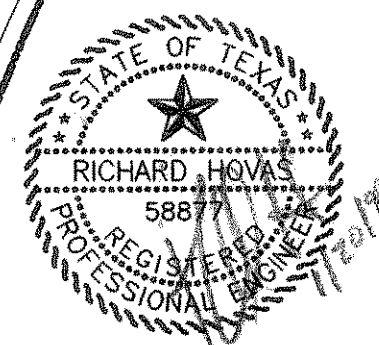
SANITARY SEWER CURVE DATA

Curve 1	Curve 2	Curve 3	Curve 4
A=24'33"26"	A=38'36"23"	A=42'10"54"	A=25'16"17"
R=519.50'	R=270.50'	R=270.50'	R=200.00'
T=113.07'	T=94.74'	T=104.33'	T=44.84'
L=222.66'	L=182.28'	L=199.14'	L=88.21'
Curve 5	Curve 6	Curve 7	Curve 8
A=24'33"26"	A=38'36"23"	A=12'20"45"	A=14'07"18"
R=229.50'	R=360.50'	R=270.50'	R=270.50'
T=49.32'	T=106.32'	T=29.28'	T=33.50'
L=98.36'	L=377.66'	L=58.28'	L=66.67'
Curve 9	Curve 10	Curve 11	Curve 12
A=14'07"16"	A=18'47"47"	A=32'50"55"	A=47'49"08"
R=270.50'	R=809.50'	R=270.50'	R=229.50'
T=33.50'	T=133.99'	T=79.74'	T=101.74'
L=66.67'	L=285.56'	L=155.06'	L=191.54'
Curve 13	Curve 14	Curve 15	Curve 16
A=47'49"08"	A=34'43"07"	A=10'24"21"	A=40'21"47"
R=519.50'	R=229.50'	R=200.00'	R=300.00'
T=230.31'	T=71.74'	T=18.21'	T=110.27'
L=433.57'	L=139.06'	L=36.32'	L=211.34'

CAUTION
EXISTING 10" WATER LINE
VERIFY LOCATION & ELEV.
PRIOR TO CONSTRUCTION

Bench Mark 1
A Standard U.S.C.&G.S. Disk Stamped 'M 929 1946'
Approx. 1.9 miles southeast along State Hwy. 205
from Courthouse at Rockwall to bridge at Buffalo
Creek, at the northwest corner of the concrete
bridge in the top of the concrete guardrail base
approx. 17 feet southwest of the centerline of the
highway, and approx. 3 feet southeast of the northwest
end of the guardrail base.
Elevation = 524.65

Bench Mark 2
Top of Concrete ROW Marker, approx. 1.6 miles
southeast along State Hwy. 205 and then approx.
0.8 miles east along FM 276 to intersection of
paved road, at fence corner at southwest quadrant
of intersection.
Elevation = 543.10



WATER & SANITARY SEWER PLAN
MEADOWCREEK ESTATES I
City of Rockwall, Texas

TIPTON ENGINEERING, INC.
6330 Broadway Blvd. ~ Suite C ~ Garland, Texas 75043

DESIGN	DRAWN	DATE	SCALE	NOTES	FILE	NO.
T.E. Inc.	T.E. Inc.	11-98	1"=100'		4174	23