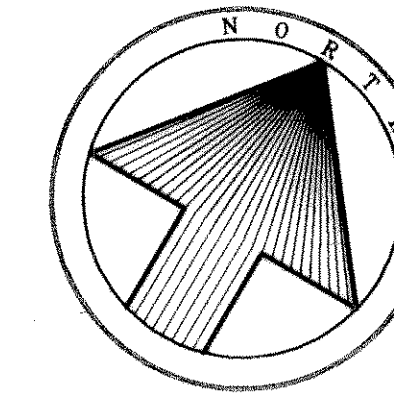
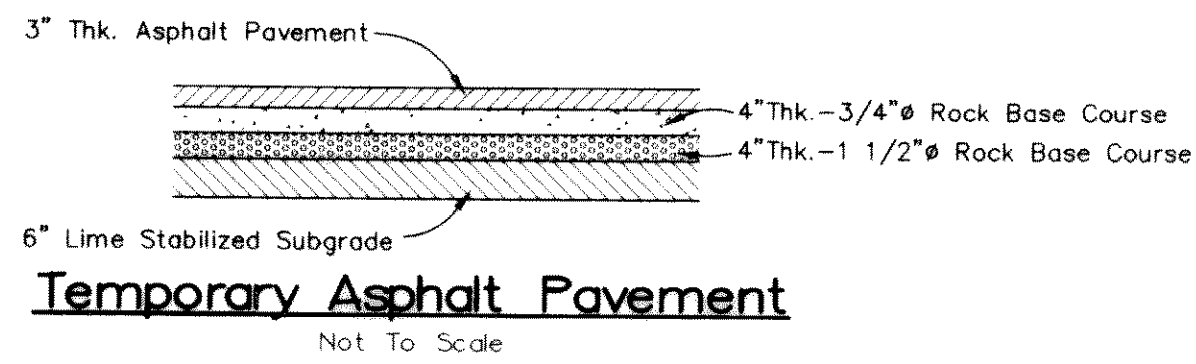


**CAUTION !!!**  
**EXISTING UTILITIES**

EXISTING UTILITIES AND UNDERGROUND FACILITIES INDICATED ON THESE PLANS HAVE BEEN LOCATED FROM REFERENCE INFORMATION. IT SHALL BE THE RESPONSIBILITY OF THE CONTRACTOR TO VERIFY BOTH HORIZONTALLY AND VERTICALLY THE LOCATION OF ALL EXISTING UTILITIES AND UNDERGROUND FACILITIES PRIOR TO CONSTRUCTION, TO TAKE NECESSARY PRECAUTIONS IN ORDER TO PROTECT ALL FACILITIES ENCOUNTERED. THE CONTRACTOR SHALL PRESERVE AND PROTECT ALL EXISTING UTILITIES FROM DAMAGE DURING CONSTRUCTION.

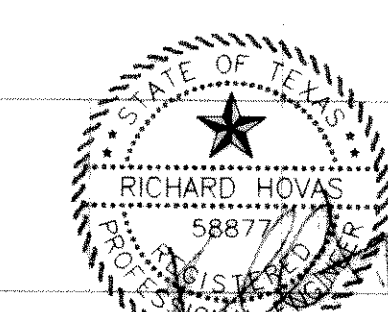
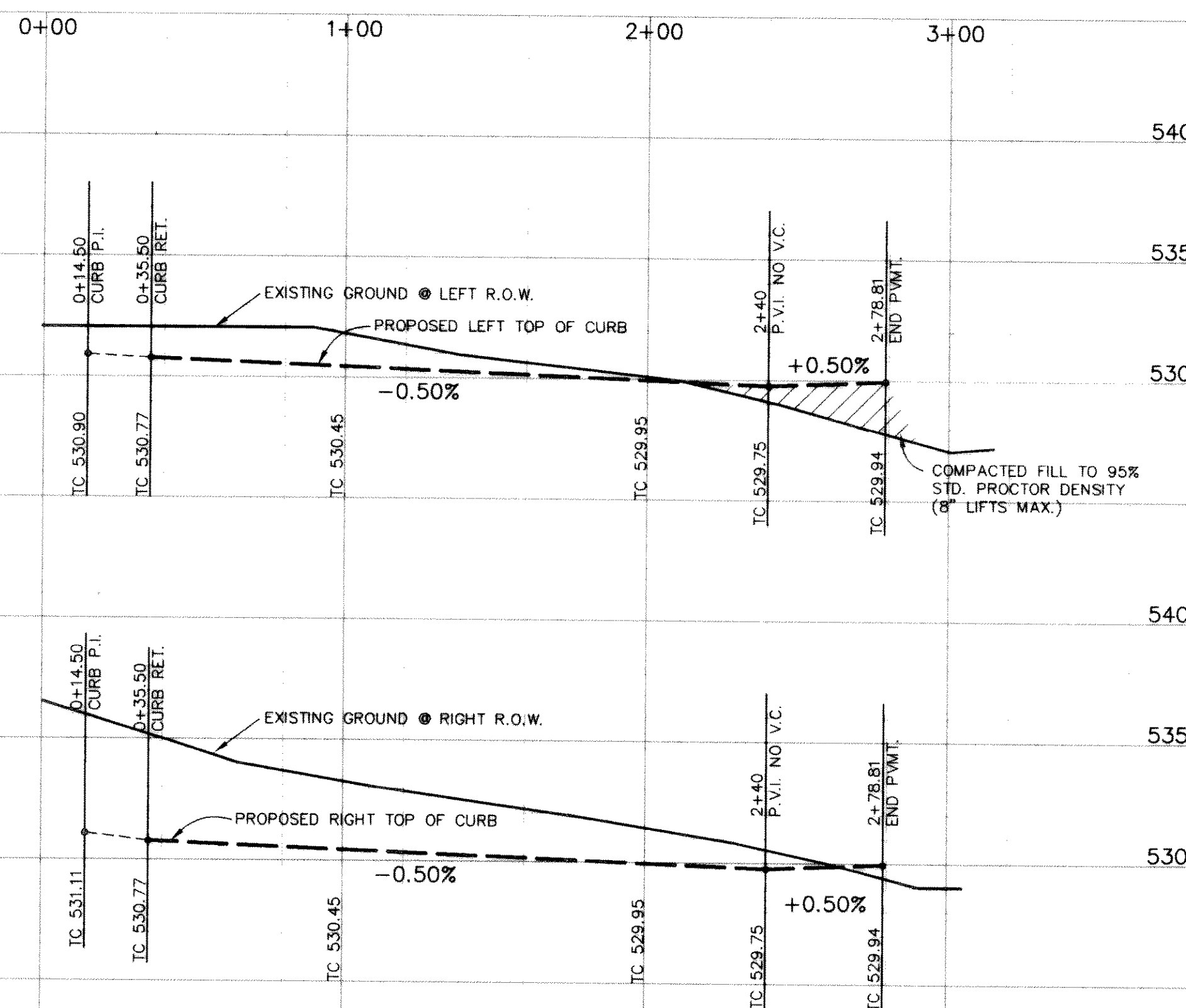
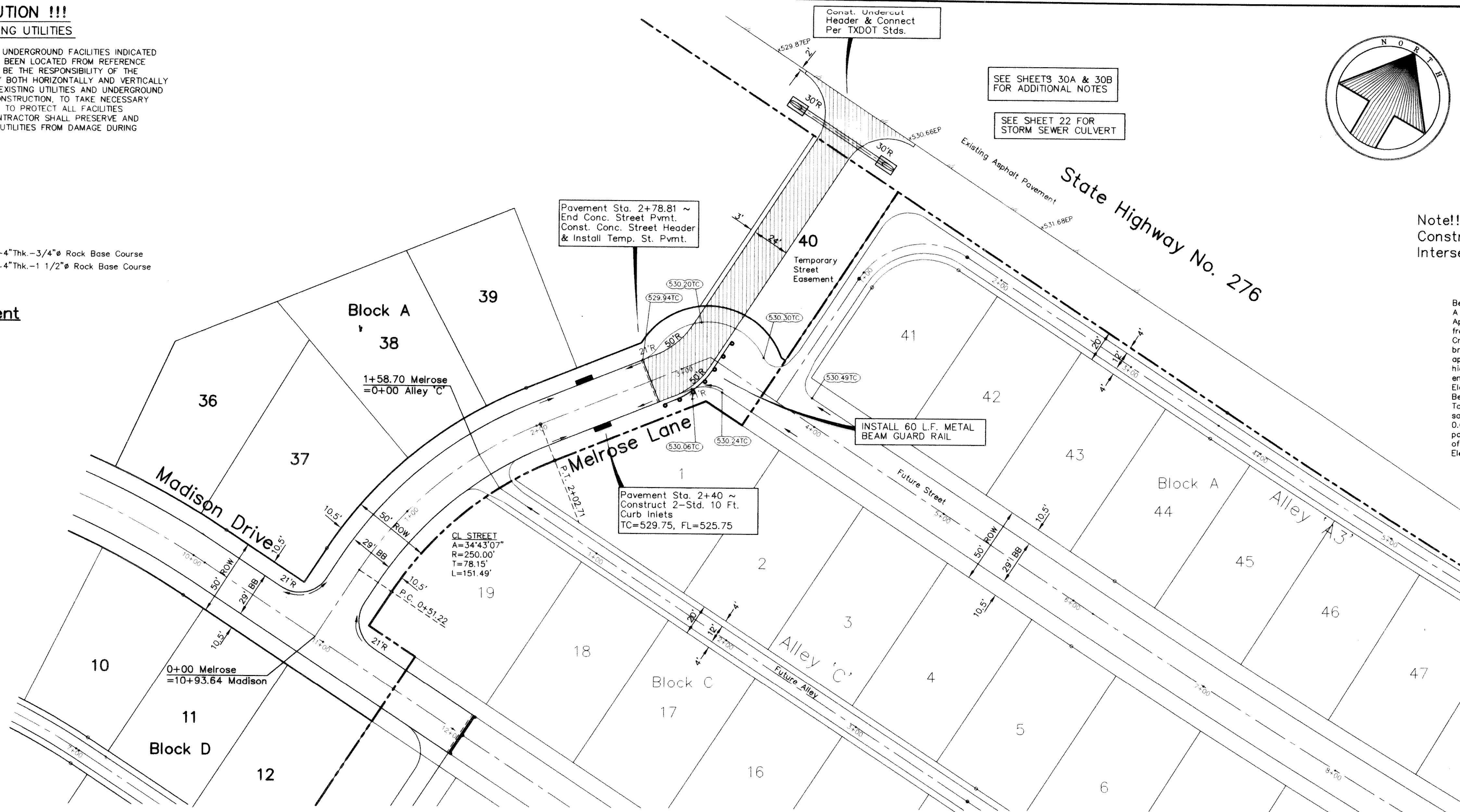


SEE SHEETS 30A & 30B FOR ADDITIONAL NOTES

SEE SHEET 22 FOR STORM SEWER CULVERT

Note!  
Construct Barrier Free Ramps At All Intersection As Per City Standards.

Bench Mark 1  
A Standard U.S.C. & G.S. Disk Stamped 'M 929 1946'  
Approx. 1.9 miles southeast along State Hwy. 205 from Courthouse at Rockwall to bridge at Buffalo Creek, at the northwest corner of the concrete bridge in the top of the concrete guardrail base approx. 17 feet southwest of the centerline of the highway, and approx. 3 feet southeast of the northwest end of the guardrail base.  
Elevation = 524.65  
Bench Mark 2  
Top of Concrete ROW Marker, approx. 1.6 miles southeast along State Hwy. 205 and then approx. 0.6 miles east along FM 276 to intersection of paved road, at fence corner at southwest quadrant of intersection.  
Elevation = 543.10



The seal appearing on this document was authorized by Richard Hovas, P.E. 58877

|  |           |       |                   |       |      |     |
|--|-----------|-------|-------------------|-------|------|-----|
| <b>Melrose Lane</b>                                  |           |       |                   |       |      |     |
| <b>PAVING PLAN</b>                                   |           |       |                   |       |      |     |
| MEADOWCREEK ESTATES I                                |           |       |                   |       |      |     |
| City Of Rockwall, Texas                              |           |       |                   |       |      |     |
| TIPTON ENGINEERING, INC.                             |           |       |                   |       |      |     |
| 6330 Broadway Blvd. ~ Suite C ~ Garland, Texas 75043 |           |       |                   |       |      |     |
| DESIGN   | DRAWN     | DATE  | SCALE             | NOTES | FILE | NO. |
| T.E. Inc.  | T.E. Inc. | 11-98 | 1"=40'H<br>1"=5'V |       | 4174 | 12  |