

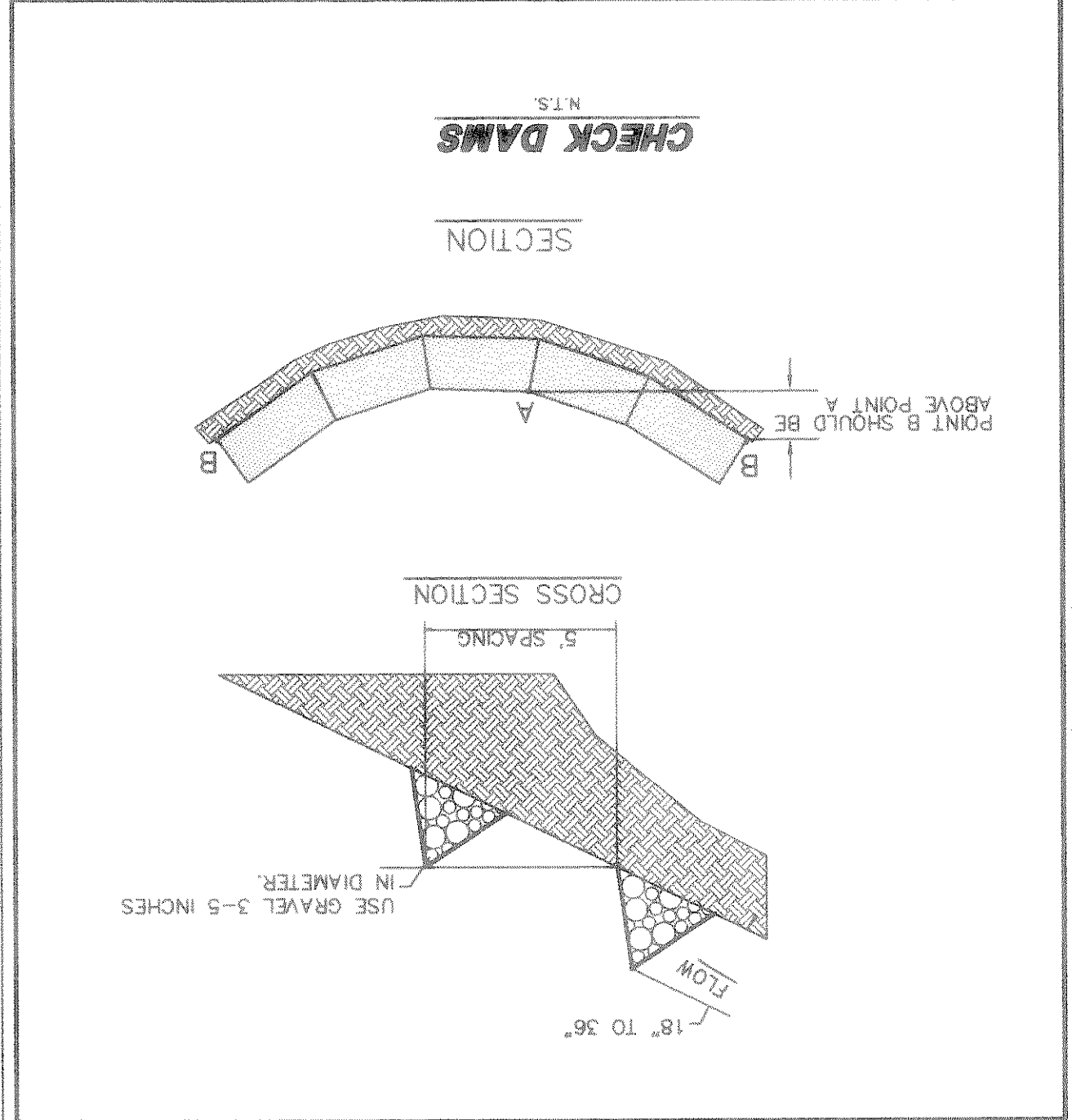
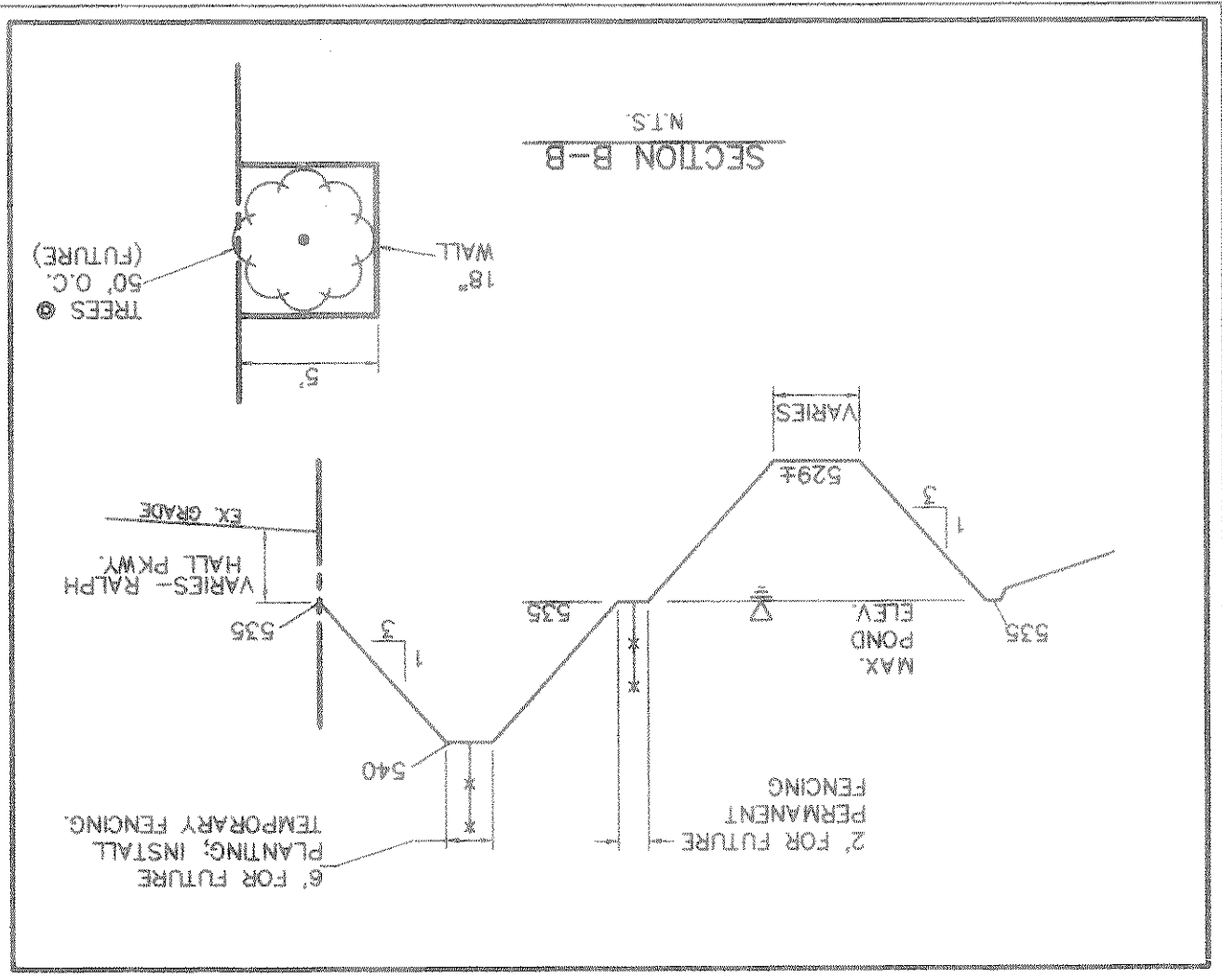
SHEET
 04
 16
 Project No.: 07939 01201
 Checked By: D.F.W.
 Drawn By: R.D.L.
 Scale: AS NOTED Date: 12/29/97

DETENTION POND DETAILS
 MARKET CENTER DRIVE

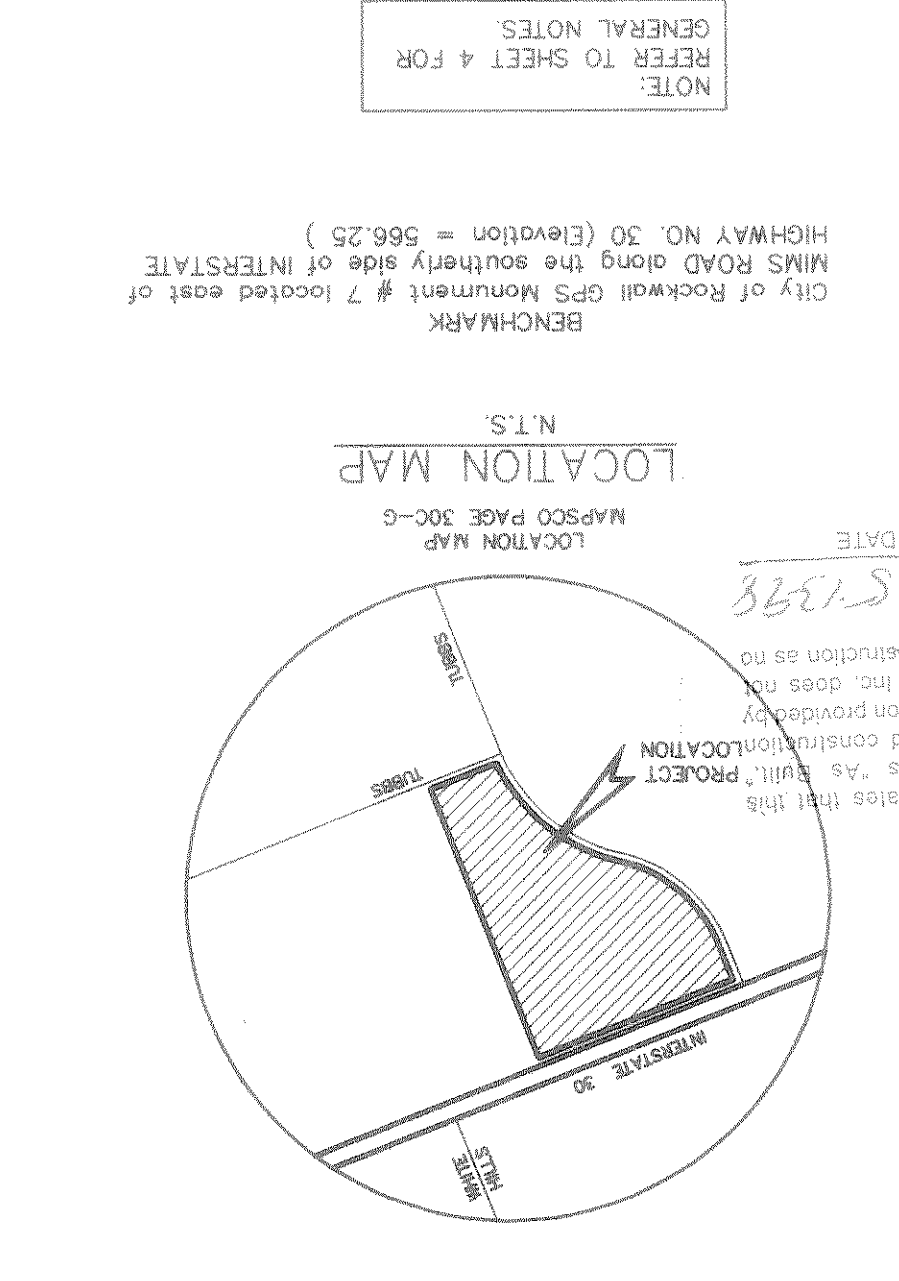
E.P. GAINES CHISUM SURVEY, ABST. NO. 64
 CITY OF ROCKWALL, TEXAS
 ROCKWALL COUNTY, TEXAS
 HOME DEPOT, U.S.A., INC.
 2800 FOREST AVE.
 DALLAS, TEXAS 75234

Winkelman & Associates, Inc.
 CONSULTING CIVIL ENGINEERS & SURVEYORS
 7230 CALLE TEXAS
 DALLAS, TEXAS 75230

| No. | DATE | REVISION | APPROV. |
|-----|----------|---------------|---------|
| 1 | 12-11-97 | MINOR GRADING | M.D.C. |



REFERENCE POND CALCULATIONS



NOTE:
 REFER TO SHEET 4 FOR
 GENERAL NOTES.
 BENCHMARK
 City of Rockwall GPS Monument # 7 located east of
 HIGHWAY NO. 30 (Elevation = 566.25)
 MARK ROAD along the southern side of INTERSTATE

