

STORM SEWER & CURVE TABLE						
CURVE	DELTA	RADIUS	TANGENT	LENGTH	CH. BRG.	CH. LENGTH
SDC-2	36°18'44"	615.50'	201.84'	390.08'	N37°55'46"W	383.59'
SDC-3	82°03'41"	150.00'	130.53'	214.83'	N21°15'27"E	196.94'
SDC-6	38°18'56"	100.00'	34.74'	66.87'	N24°02'03"E	55.63'

PAVING & CURVE TABLE						
CURVE	DELTA	RADIUS	TANGENT	LENGTH	CH. BRG.	CH. LENGTH
C-1	64°32'43"	600.00'	378.90'	675.92'	S52°02'46"E	640.74'

**CAUTION!** THE CONTRACTOR SHALL CONTACT MR. JOE STANKIEWICZ, ENGINEERING OFFICER, AT (972) 442-5405, AT LEAST 48 HRS. PRIOR TO PERFORMING ANY WORK IN THE VICINITY OF NTMWD. TO ENSURE THAT ANY DAMAGE TO THE NTMWD PIPELINE IS DETECTED, A TV INSPECTION SHALL BE MADE BEFORE AND AFTER CONSTRUCTION BY THE OWNER. NTMWD SHALL BE NOTIFIED PRIOR TO EACH TV INSPECTION. NTMWD SHALL BE FURNISHED WITH A COPY OF THE VIDEO TAPE IN VHS FORMAT. ANY COST FOR REPAIR OF DAMAGE TO THE NTMWD PIPELINE RESULTING FROM CONSTRUCTION ACTIVITIES WILL BE THE RESPONSIBILITY OF THE OWNER.

PVG. STA. 1+63.44, 15.5' RT. = STA. 5+50.00 LINE 'B' END 7'x4' BOX AND BEGIN 7'x3' BOX.

PVG. STA. 1+87.04, 20.5' LT. & RT. CONST. 10' STD. CURB INLET. (2) TC= 538.88

PVG. STA. 1+54.76, 15.5' RT. = P.C. STA. 5+58.68, LINE 'B'  
 PVG. STA. 1+72.79, 15.5' RT. = P.T. STA. 5+40.65, LINE 'B'  
 PVG. STA. 1+89.86, 15.5' RT. = STA. 5+23.14 LINE 'B'  
 STA. 0+00 LAT. '8D'  
 INSTALL 60" PREFAB. WYE.

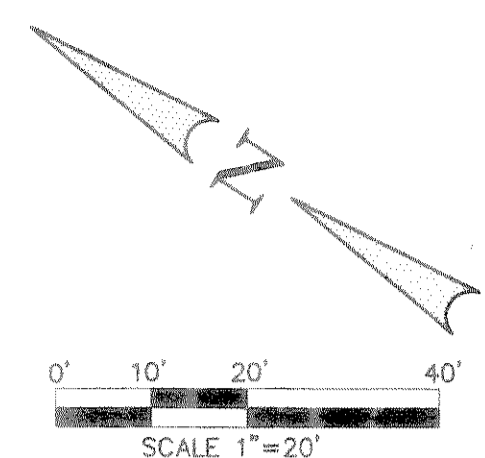
PVG. STA. 2+07.11, 15.5' RT. = STA. 5+05.45 LINE 'B'  
 STA. 0+00 LAT. '8C'  
 INSTALL 60" PREFAB. WYE.

PVG. STA. 2+00.79, 37' RT. = STA. 0+22.69 LAT. '8E'  
 PLUG 30" R.C.P.  
 FL= 534.82

PVG. STA. 2+12.42, 15.5' RT. = STA. 5+00 LINE 'B'  
 STA. 0+00 LAT. '8E'  
 INSTALL 60" PREFAB. WYE.

PVG. STA. 4+65.87, 15.5' RT. = STA. 2+40.00 LINE 'B' BOX SIZE CHANGE

PVG. STA. 4+76.90, 15.5' RT. = STA. 2+28.69, LINE 'B'



NOTE: REFER TO SHEET 4 FOR GENERAL NOTES.

- LEGEND**
- PP Power Pole
  - GW Guy Wire
  - MH Manhole
  - WV Water Valve
  - TP Telephone Pedestal
  - WM Water Meter
  - FH Fire Hydrant
  - LP Light Pole
  - IV Irrigation Valve
  - CO Clean Out
  - AC Air Conditioner
  - TV Cable Box
  - SB Signal Box
  - SP Signal Pole
  - SN Sign
  - NW Monitor Well
  - GB Bore Hole

**BENCHMARK**  
 City of Rockwall GPS Monument # 7 located east of MIMS ROAD along the southern side of INTERSTATE HIGHWAY NO. 30 (Elevation = 566.25')

**Winkelmann & Associates, Inc.**  
 CONSULTING CIVIL ENGINEERS & SURVEYORS  
 12800 Wilcrest Road, Suite 200  
 Dallas, Texas 75220  
 (972) 442-7000 FAX (972) 442-7000

STATE OF TEXAS  
 MICHAEL D. CLARK  
 63290  
 REGISTERED PROFESSIONAL ENGINEER

E.P. GAINES CHSISM SURVEY, ABST. No. 64  
 CITY OF ROCKWALL  
 ROCKWALL COUNTY, TEXAS  
 HOME DEPOT, U.S.A., INC.  
 2800 FOREST LANE  
 DALLAS, TEXAS 75234

STORM SEWER PLAN  
 MARKET CENTER DRIVE

Scale: H: 1"=20' V: 1"=4'  
 Date: 12/29/97  
 Designed By: M.D.C.  
 Drawn By: R.D.L.  
 Checked By: M.D.C.  
 File: 079395.TP.DWG  
 Project No.: 079395.0(20)

ASBUILT  
 Winkelmann & Associates, Inc. hereby states that this plan, to the best of our knowledge, "As BUILT" represents the original appearance of construction. No changes have been made as per information provided by the contractor, Winkelmann & Associates, Inc. does not certify as to the correctness or quality of construction as no field inspection was performed.  
 Michael D. Clark  
 DATE: 5-13-98  
 WINKELMANN & ASSOCIATES, INC.