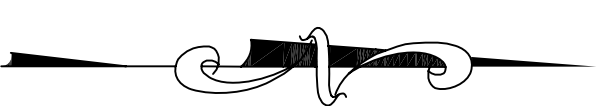


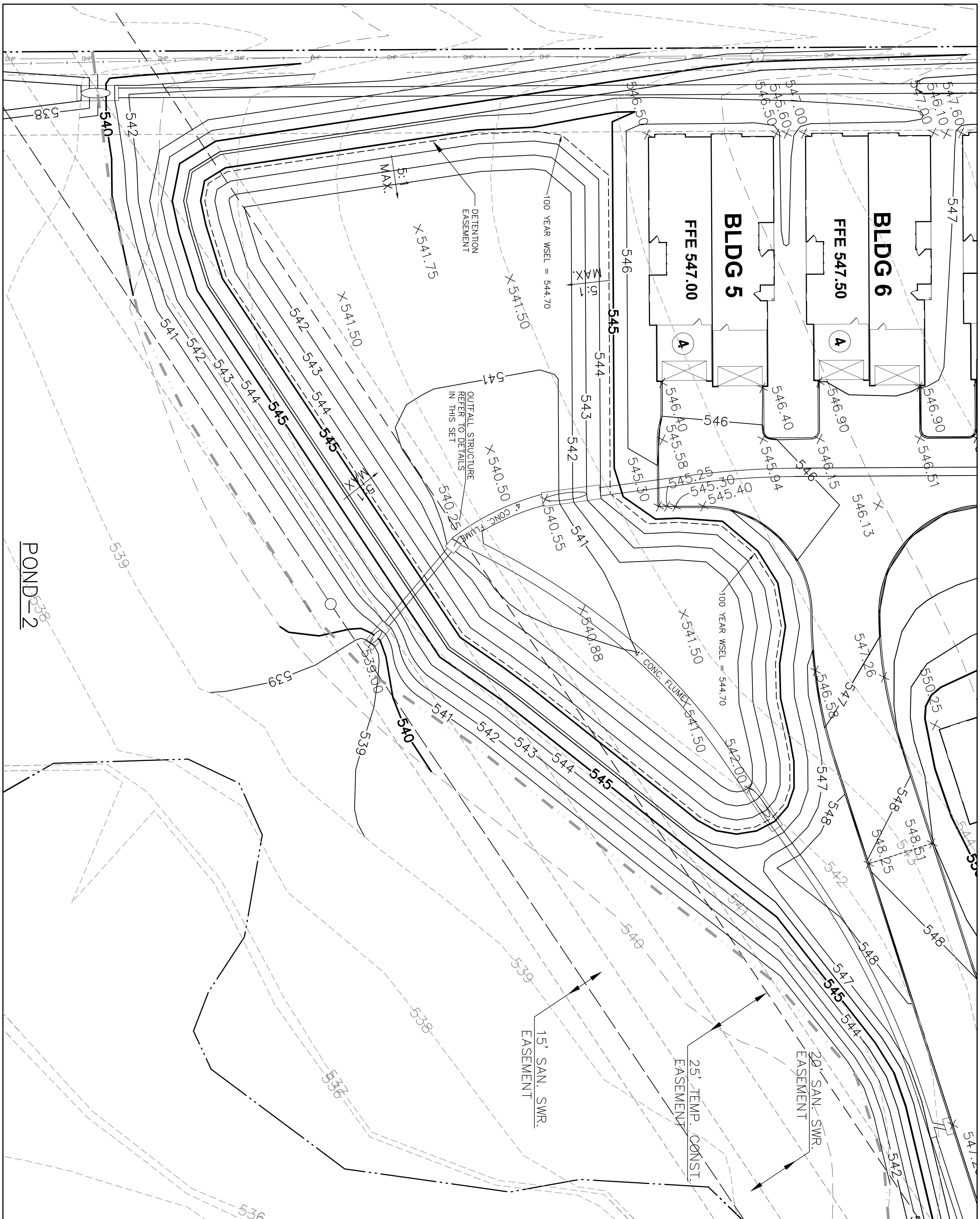
TOCS
1-800-245-4545
tocs@tocs1-call.com



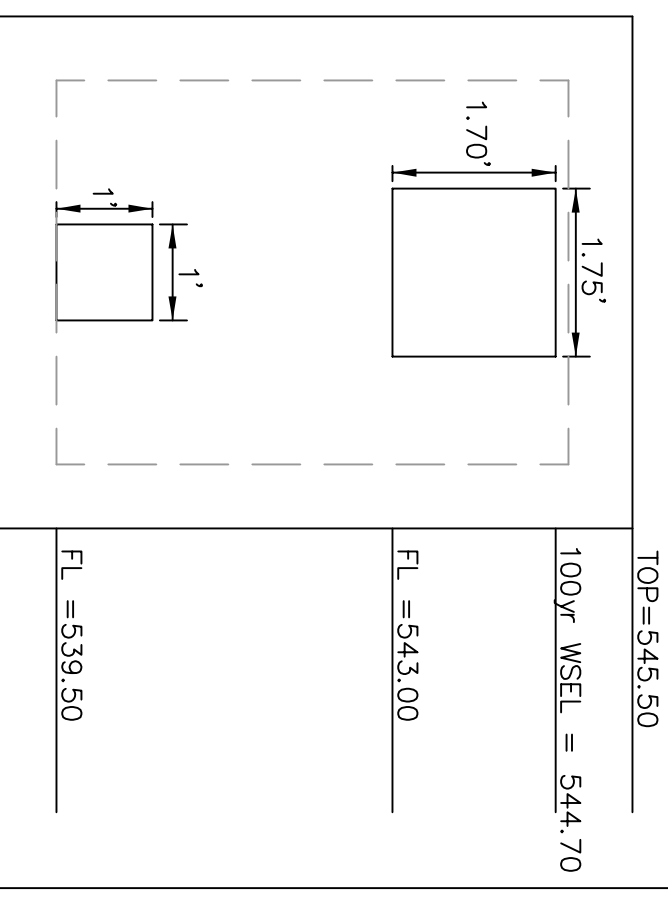
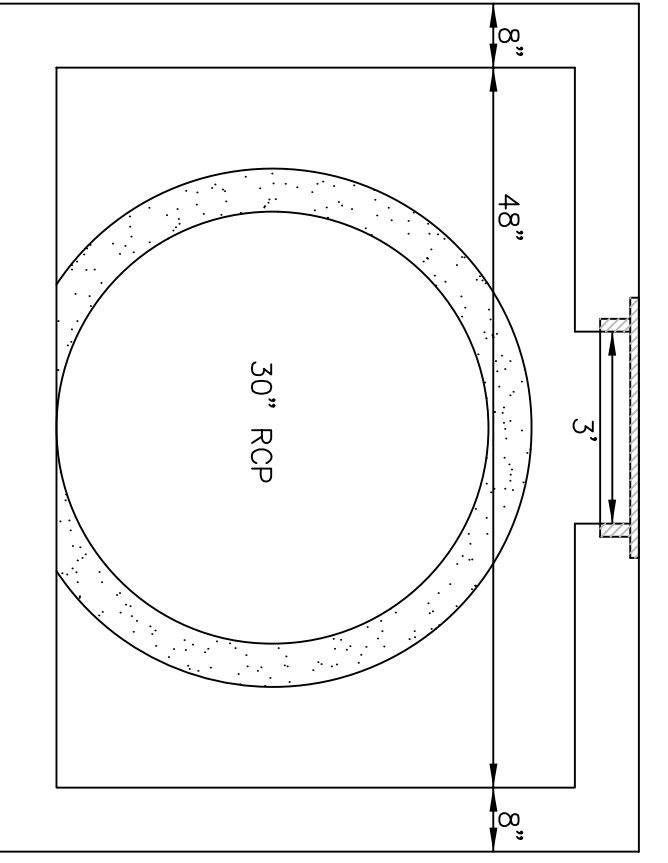
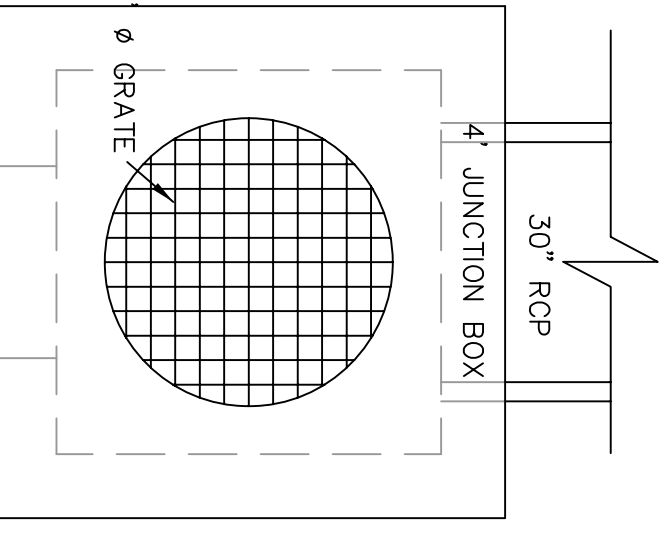
GRAPHIC SCALE
(IN FEET)
1 inch = 20 ft.

LEGEND	
---	EXISTING MINOR CONTOUR
---	EXISTING MAJOR CONTOUR
---	PROPOSED MINOR CONTOUR
---	PROPOSED MAJOR CONTOUR
X	PROPOSED SPOT GRADE
FFE	PROPOSED FINISH FLOOR ELEVATION

EVENT	WSEL
2 YEAR	543.00
10 YEAR	543.95
25 YEAR	544.25
50 YEAR	544.40
100 YEAR	544.70



POND 2 OUTFALL DETAIL



RECORD DRAWING
RECORD INFORMATION PROVIDED BY
CONASTER CONSTRUCTION, FORT WORTH, TEXAS
ELEVATION VERIFICATION PERFORMED BY
SURVEY CONSULTANTS, INC., PLANO, TEXAS

REV.	DATE	REMARKS	BY

DETENTION POND-2 PLAN

MANSIONS SENIOR
CITY of ROCKWALL, TEXAS

RKM Consulting Engineers, Inc.
7616 LBJ Freeway, Suite 500
Dallas, Texas 75247
phone (214) 432-8070
fax (214) 432-8069

CHECKED	DESIGN	DRAWN	JOB	DATE	SCALE	SHEET
RKM	JRY	JRY	1026-005	02/18/09	1"=20'	7b OF 20