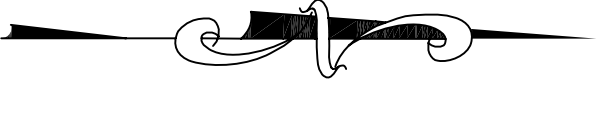
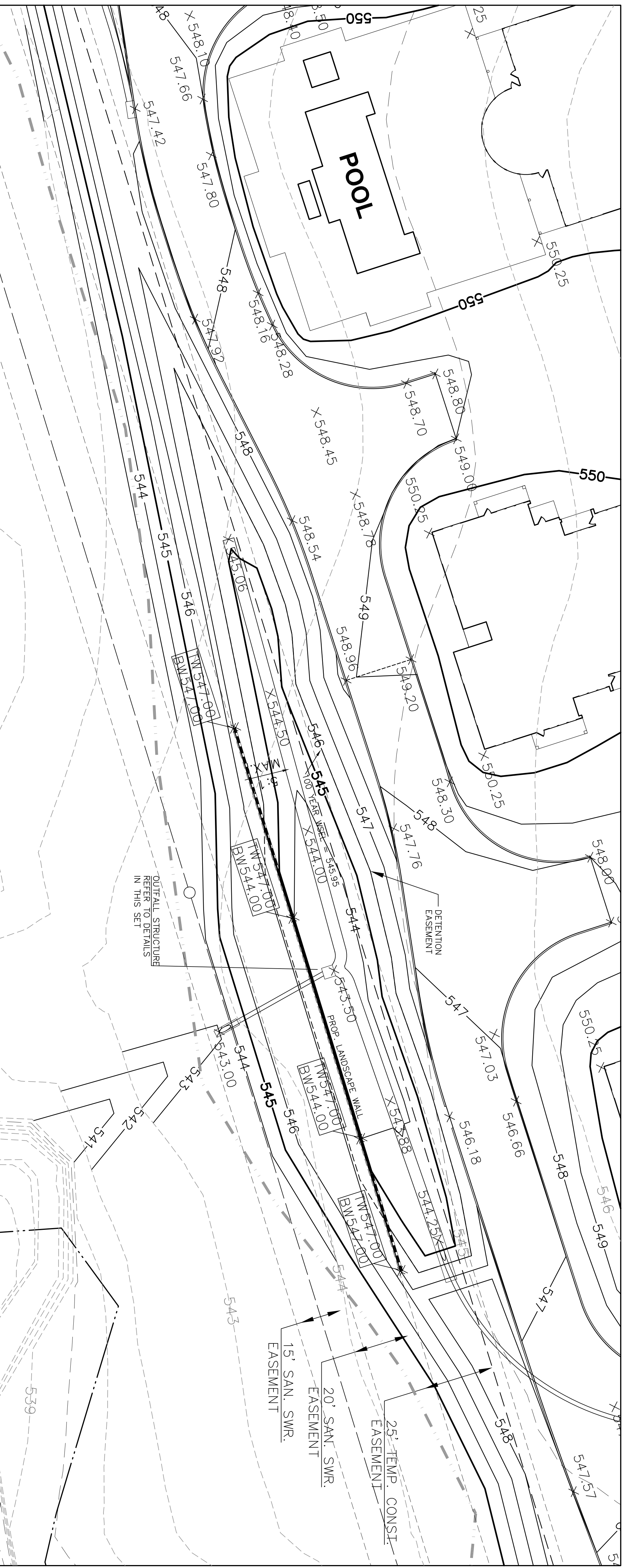


**TOCS**  
1-800-245-4545  
tocs@tocs-1.com



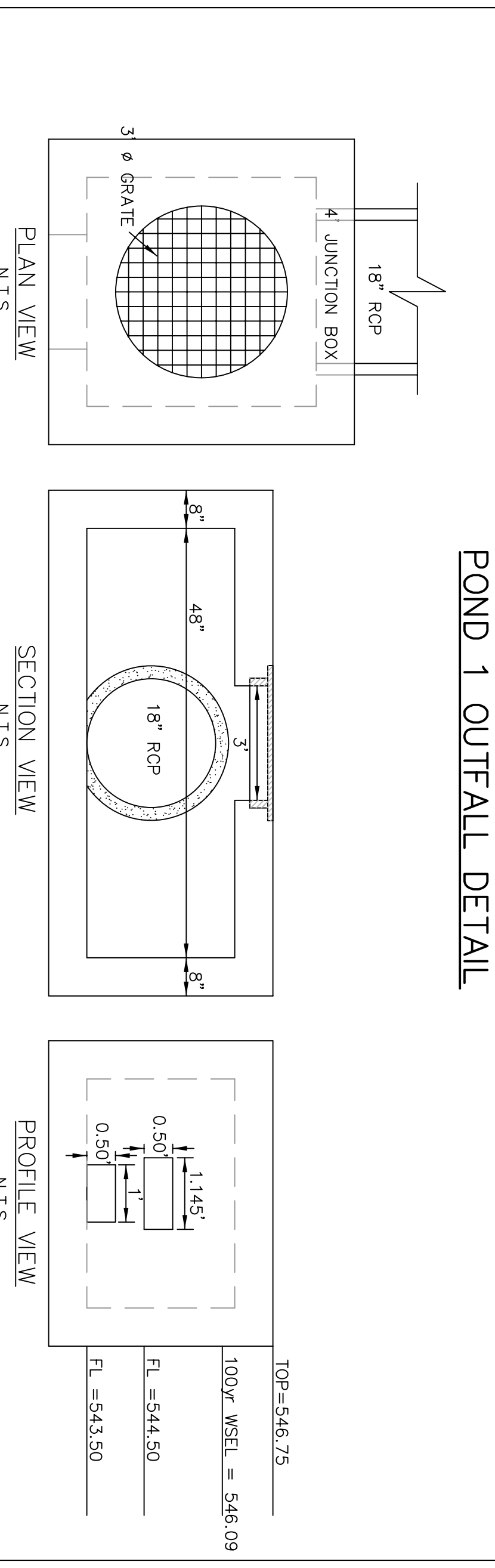
LEGEND	
---	EXISTING MINOR CONTOUR
---	EXISTING MAJOR CONTOUR
---	PROPOSED MINOR CONTOUR
---	PROPOSED MAJOR CONTOUR
X	PROPOSED SPOT GRADE
---	PROPOSED FINISH FLOOR ELEVATION
---	FFE 548.06



EVENT	WSEL
2 YEAR	544.88
10 YEAR	545.42
25 YEAR	545.70
50 YEAR	545.90
100 YEAR	546.09

**POND-1**

**POND 1 OUTFALL DETAIL**



**RECORD DRAWING**  
RECORD INFORMATION PROVIDED BY  
CONASTER CONSTRUCTION, FORT WORTH, TEXAS  
ELEVATION VERIFICATION PERFORMED BY  
SURVEY CONSULTANTS, INC., PLANO, TEXAS

REV.	DATE	REMARKS	BY

**DETENTION POND-1 PLAN**

**MANSIONS SENIOR**  
CITY of ROCKWALL, TEXAS

**RKM Consulting Engineers, Inc.**  
7616 LBJ Freeway, Suite 530  
Dallas, Texas 75241  
phone (214) 432-8070  
fax (214) 432-8069

CHECKED: RKM  
DESIGN: JRY  
DRAWN: JRY  
JOB: 1026-005  
DATE: 02/18/09  
SCALE: 1"=20'  
SHEET: **7a**  
OF: 20