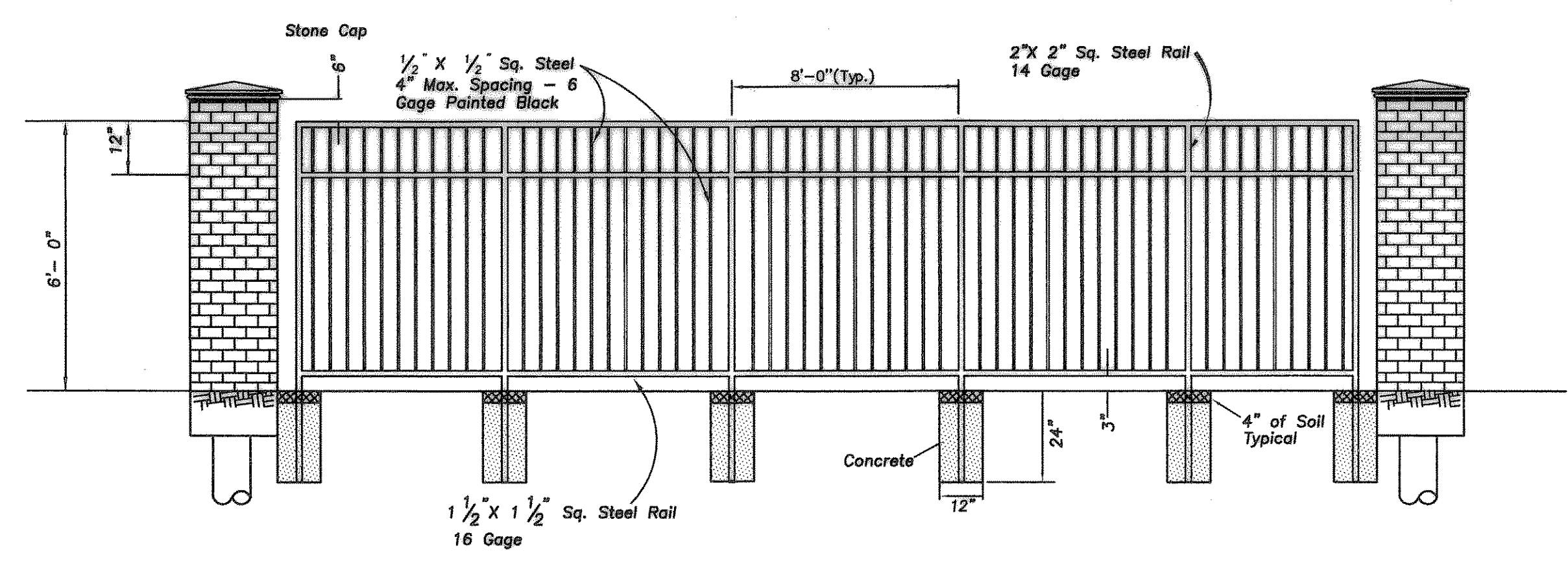


Note!!  
Install Mow Strip per City of Rockwall Standards

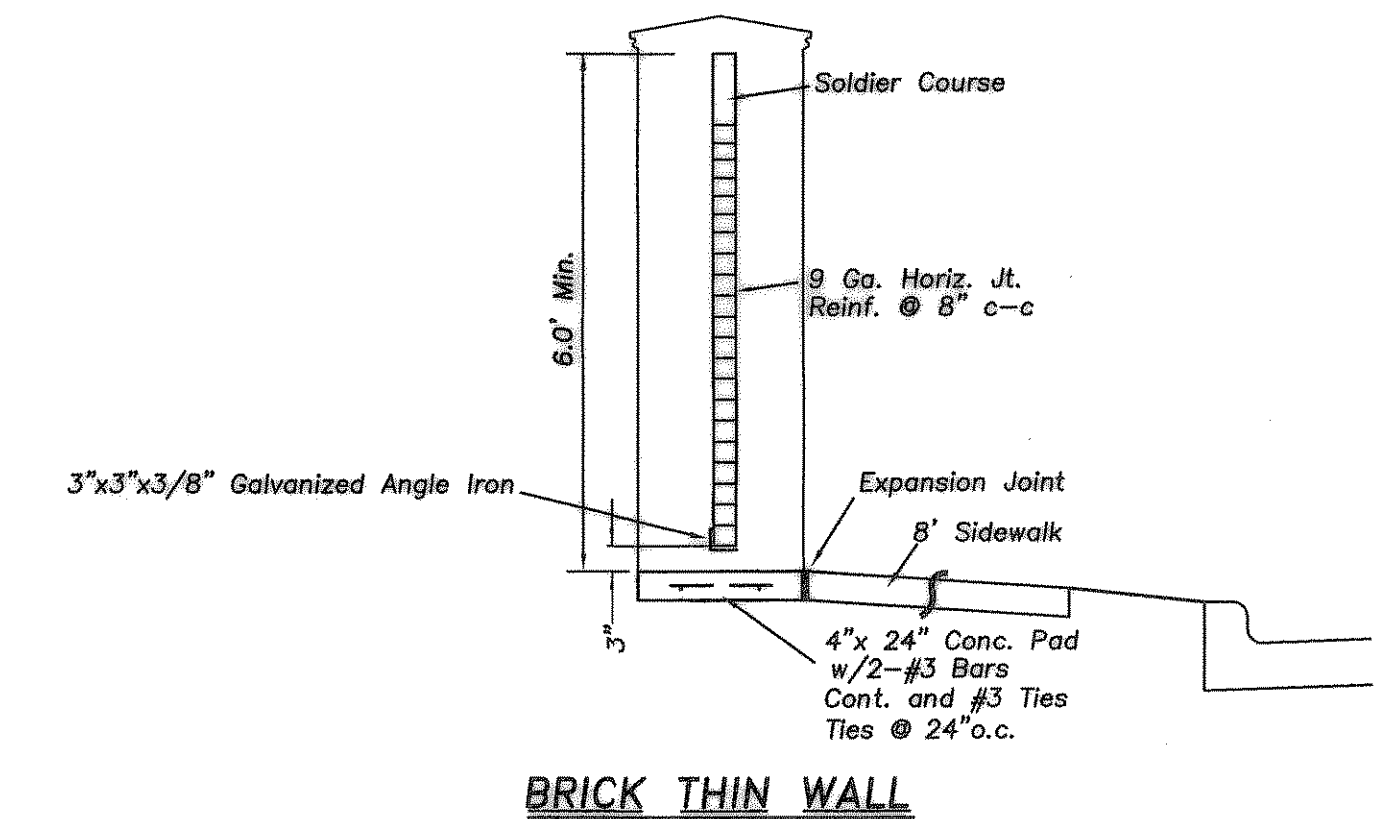
Note!!  
Construct Barrier Free Ramps  
With Street Paving At All  
Intersections As Per City Standards.

**AS BUILT PLANS**  
1/12/2005

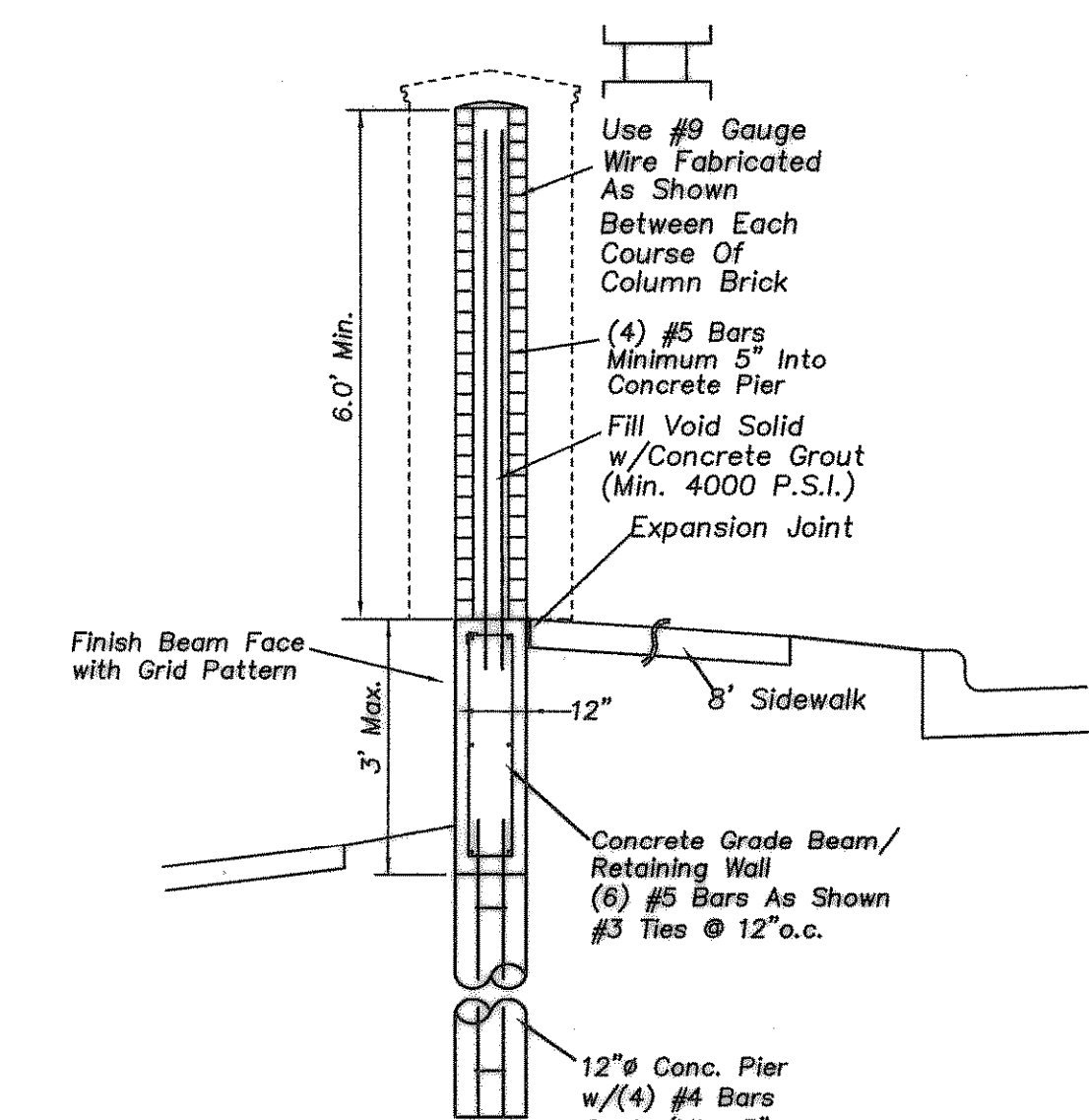
The alignment and grade were set on the ground for construction per the plans. The engineer did not verify alignment or grades after construction. We are not aware of any changes or revisions to these plans during construction except as noted.



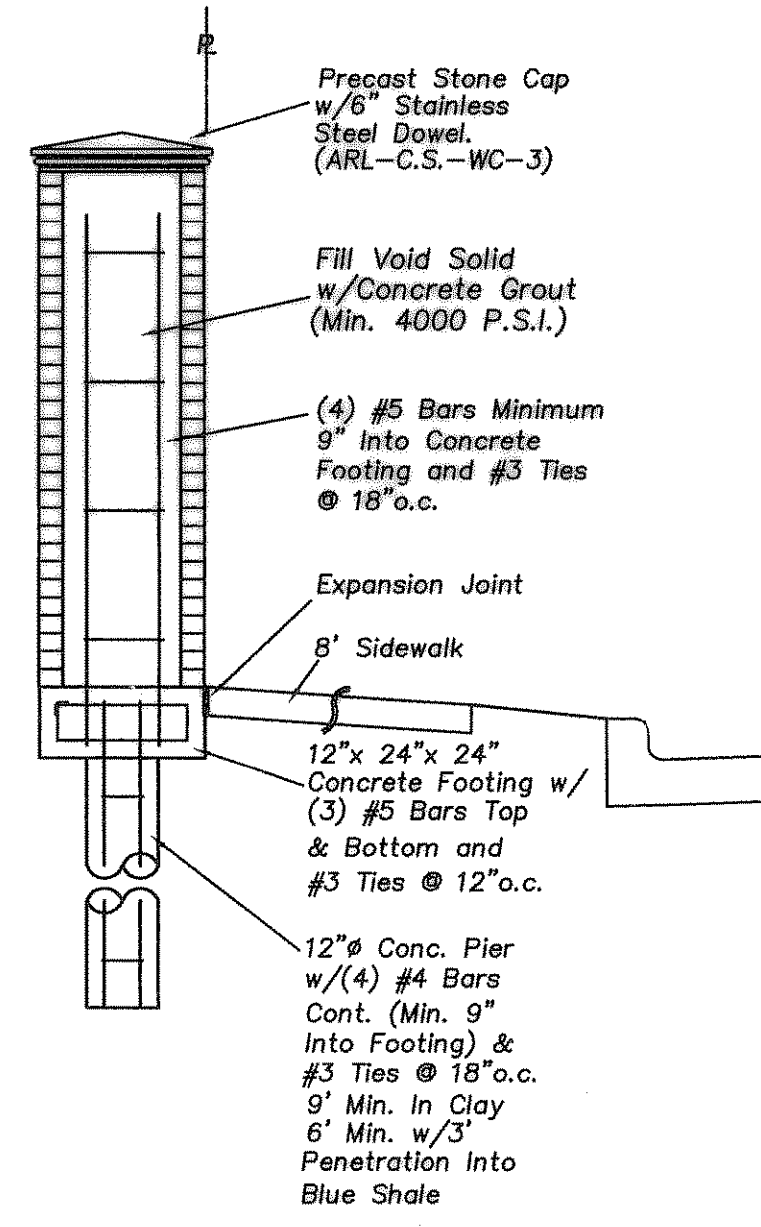
**Wrought Iron Fence Detail**



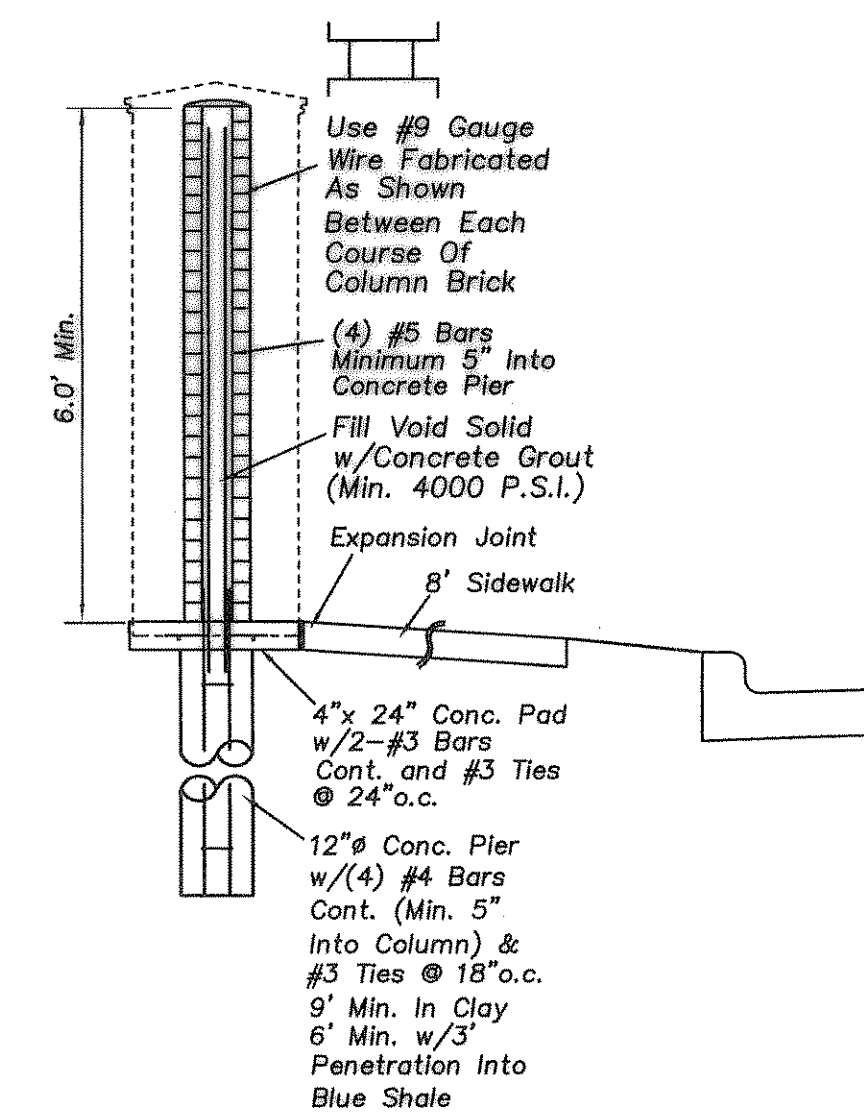
**BRICK THIN WALL**



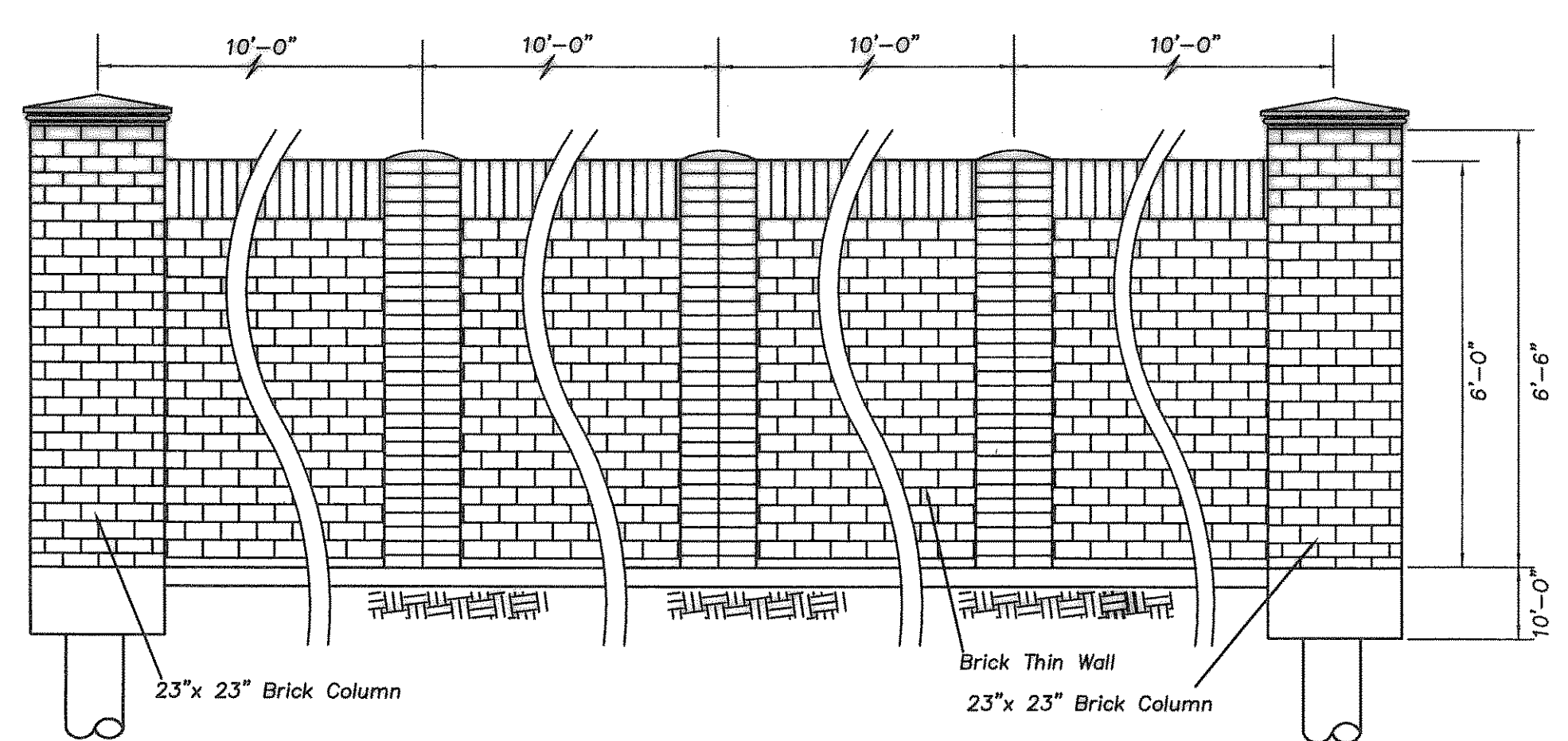
**BRICK THIN WALL COLUMN**  
(With Grade Beam/Retaining Wall)



**23"x 23" BRICK COLUMN**



**BRICK THIN WALL COLUMN**



**BRICK THIN WALL**

Bench Mark 1  
A Standard U.S.C.&G.S. Disk Stamped 'M 929 1946'  
Approx. 1.9 miles southeast along State Hwy. 205  
from Courthouse at Rockwall to bridge at Buffalo  
Creek, at the northwest corner of the concrete  
bridge in the top of the concrete guardrail base  
approx. 17 feet southwest of the centerline of the  
highway, and approx. 3 feet southeast of the northwest  
end of the guardrail base.  
Elevation = 524.65  
Bench Mark 2  
Top of Concrete ROW Marker, approx. 1.6 miles  
southeast along State Hwy. 205 and then approx.  
0.6 miles east along FM 276 to intersection of  
paved road, at fence corner at southwest quadrant  
of intersection.  
Elevation = 543.10

**CAUTION !!!**  
EXISTING UTILITIES

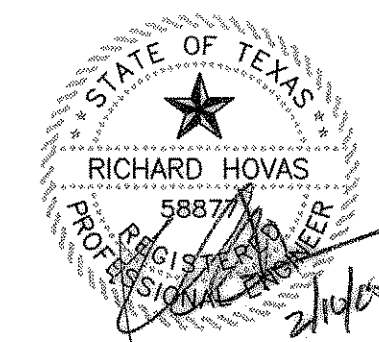
EXISTING UTILITIES AND UNDERGROUND FACILITIES INDICATED ON THESE PLANS HAVE BEEN LOCATED FROM REFERENCE INFORMATION. IT SHALL BE THE RESPONSIBILITY OF THE CONTRACTOR TO VERIFY BOTH HORIZONTALLY AND VERTICALLY THE LOCATION OF ALL EXISTING UTILITIES AND UNDERGROUND FACILITIES PRIOR TO CONSTRUCTION, TO TAKE NECESSARY PRECAUTIONS IN ORDER TO PROTECT ALL FACILITIES ENCOUNTERED. THE CONTRACTOR SHALL PRESERVE AND PROTECT ALL EXISTING UTILITIES FROM DAMAGE DURING CONSTRUCTION.

**SCREENING WALL PLAN**

LYNDEN PARK ESTATES PHASE 4  
City Of Rockwall, Texas

**TIPTON ENGINEERING, INC.**  
6330 Broadway Blvd. ~ Suite C ~ Garland, Texas 75043

DESIGN	DRAWN	DATE	SCALE	NOTES	FILE	NO.
T.E. Inc.	T.E. Inc.	09/03	1"=40'H		4580	22



02-10-05 4580SW