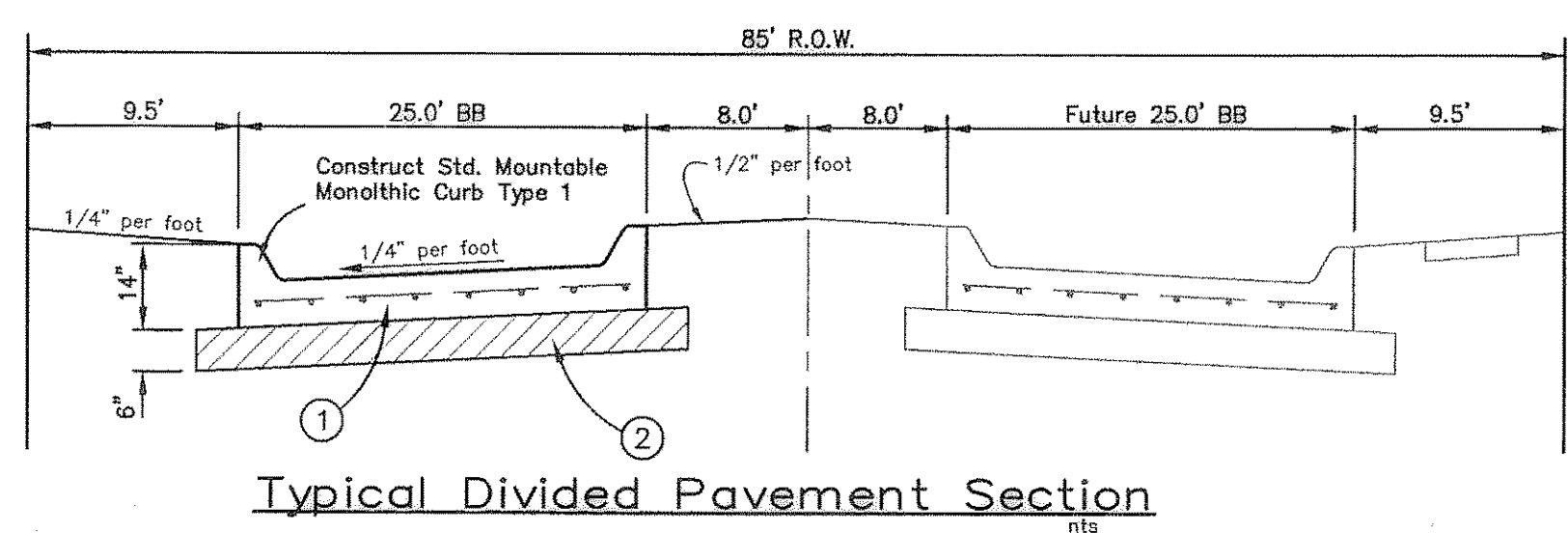


- ① 8" Thk. ~ 3600 P.S.I. Concrete Reinforced w/No.3 Bars On 18" Centers Both Ways.
- ② 6" Compacted Lime Subgrade (32lbs./s.y.), P.I. <=15 Compacted To 95% Of Standard Density

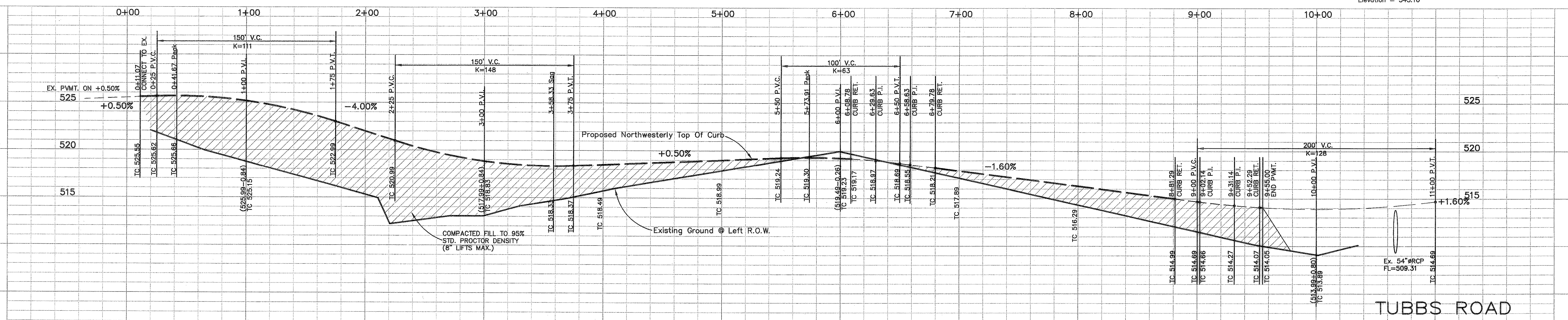


CAUTION !!!
EXISTING UTILITIES

EXISTING UTILITIES AND UNDERGROUND FACILITIES INDICATED ON THESE PLANS HAVE BEEN LOCATED FROM REFERENCE INFORMATION. IT SHALL BE THE RESPONSIBILITY OF THE CONTRACTOR TO VERIFY BOTH HORIZONTALLY AND VERTICALLY THE LOCATION OF ALL EXISTING UTILITIES AND UNDERGROUND FACILITIES PRIOR TO CONSTRUCTION, TO TAKE NECESSARY PRECAUTIONS IN ORDER TO PROTECT ALL FACILITIES ENCOUNTERED. THE CONTRACTOR SHALL PRESERVE AND PROTECT ALL EXISTING UTILITIES FROM DAMAGE DURING CONSTRUCTION.

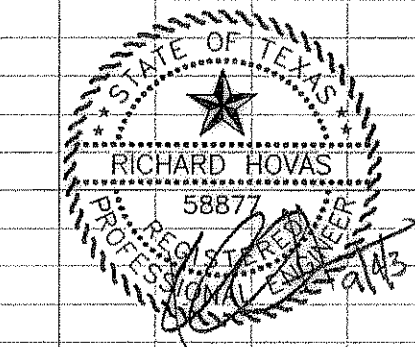
Bench Mark 1
A Standard U.S.C.&G.S. Disk Stamped 'M 929 1946'
Approx. 1.9 miles southeast along State Hwy. 205 from Courthouse at Rockwall to bridge at Buffalo Creek, at the northwest corner of the concrete bridge in the top of the concrete guardrail base approx. 17 feet southwest of the centerline of the highway, and approx. 3 feet southeast of the northwest end of the guardrail base.
Elevation = 524.65

Bench Mark 2
Top of Concrete ROW Marker, approx. 1.6 miles southeast along State Hwy. 205 and then approx. 0.6 miles east along FM 276 to intersection of paved road, at fence corner at southwest quadrant of intersection.
Elevation = 543.10



AS BUILT PLANS
01/12/2005

The alignment and grade were set on the ground for construction per the plans. The engineer did not verify alignment or grades after construction. We are not aware of any changes or revisions to these plans during construction except as noted.



PAVING PLAN					
Lynden Park Estates Phase 4					
City Of Rockwall, Texas					
TIPTON ENGINEERING, INC.					
6330 Broadway Blvd. ~ Suite C ~ Garland, Texas 75043					
DESIGN	DRAWN	DATE	SCALE	NOTES	FILE
T.E. Inc.	T.E. Inc.	8-2002	1"=40' Hor 1"=5' Vert		4580
					3