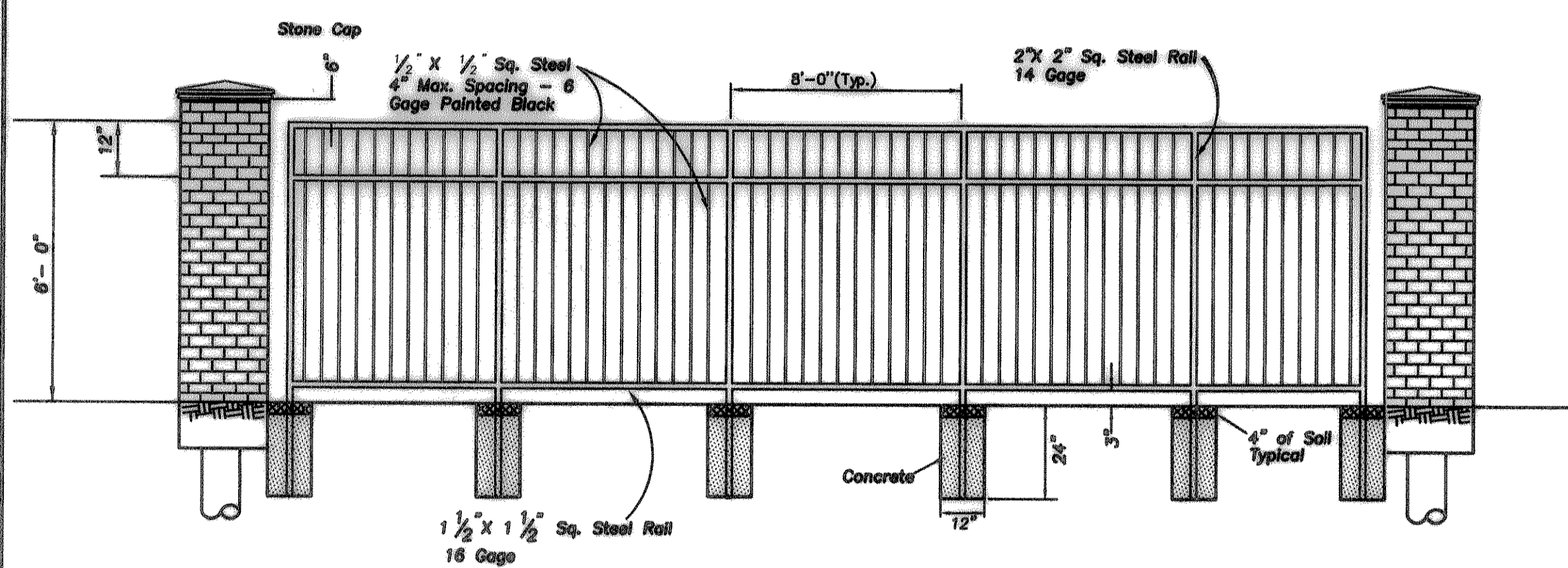
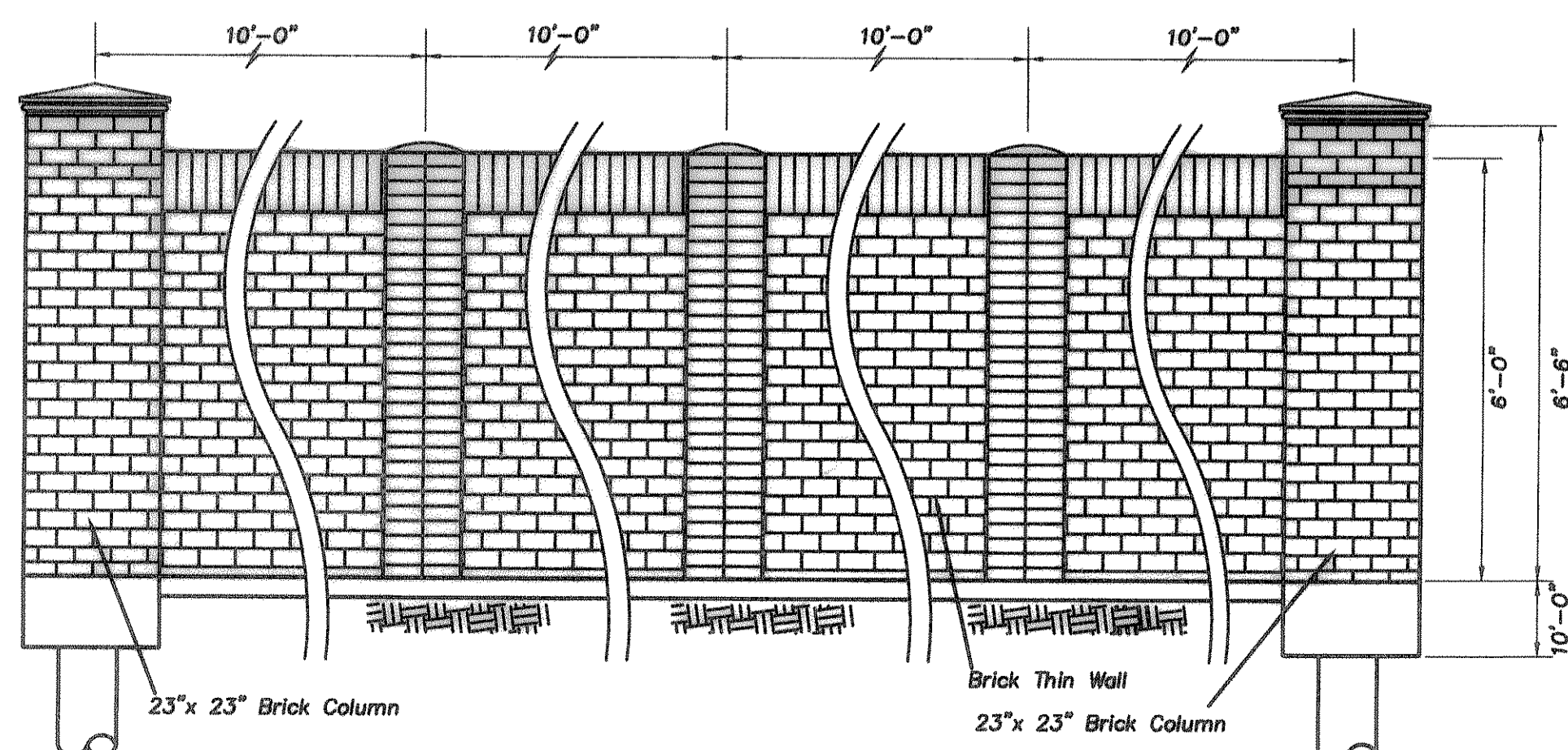


**CAUTION !!!  
EXISTING UTILITIES**

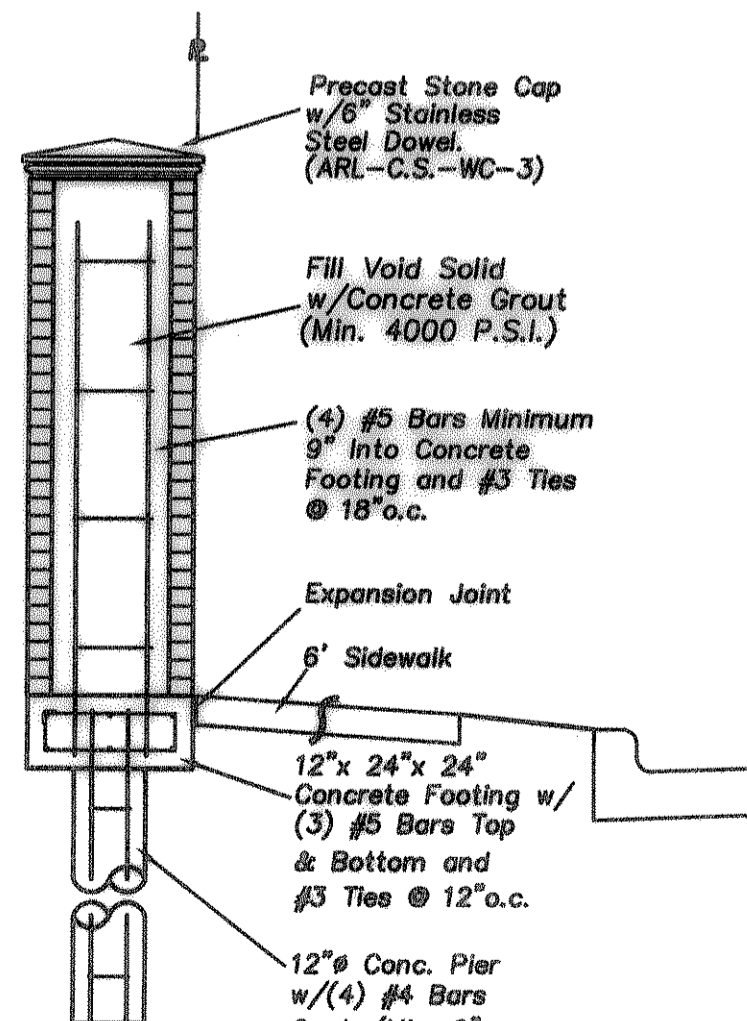
EXISTING UTILITIES AND UNDERGROUND FACILITIES INDICATED ON THESE PLANS HAVE BEEN LOCATED FROM REFERENCE INFORMATION. IT SHALL BE THE RESPONSIBILITY OF THE CONTRACTOR TO VERIFY BOTH HORIZONTALLY AND VERTICALLY THE LOCATION OF ALL EXISTING UTILITIES AND UNDERGROUND FACILITIES PRIOR TO CONSTRUCTION, TO TAKE NECESSARY PRECAUTIONS IN ORDER TO PROTECT ALL FACILITIES ENCOUNTERED. THE CONTRACTOR SHALL PRESERVE AND PROTECT ALL EXISTING UTILITIES FROM DAMAGE DURING CONSTRUCTION.



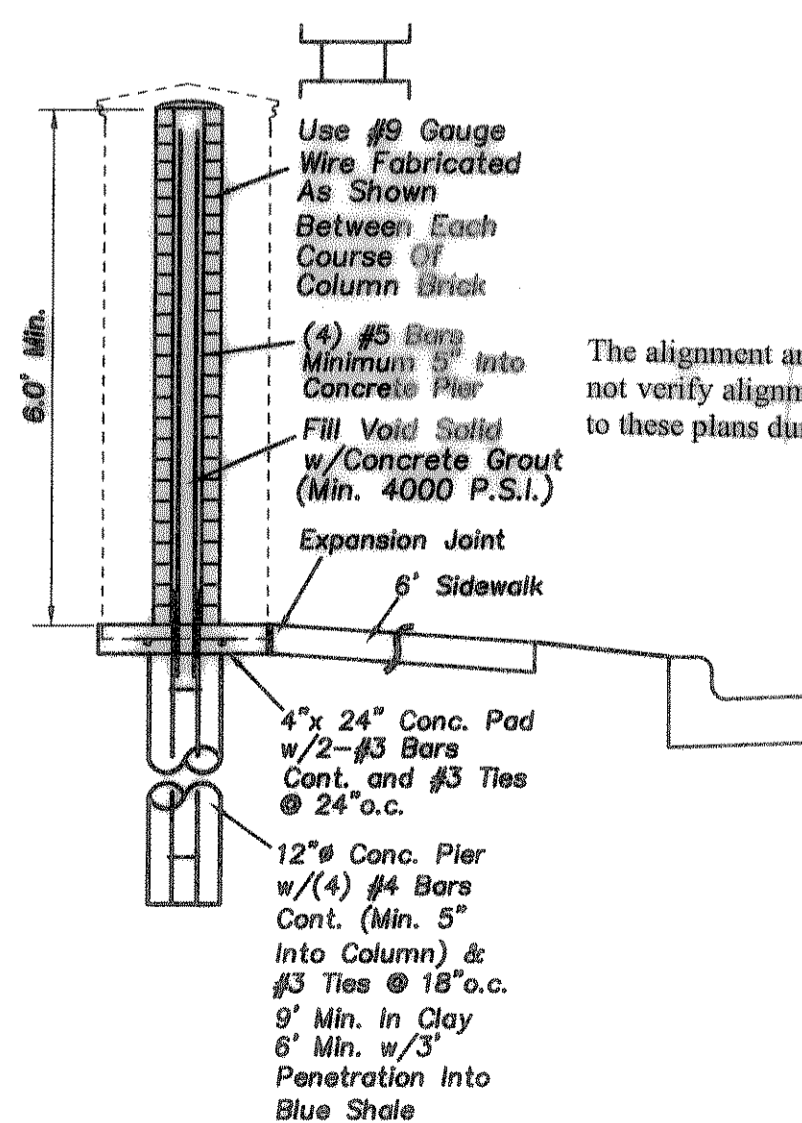
**Wrought Iron Fence Detail**



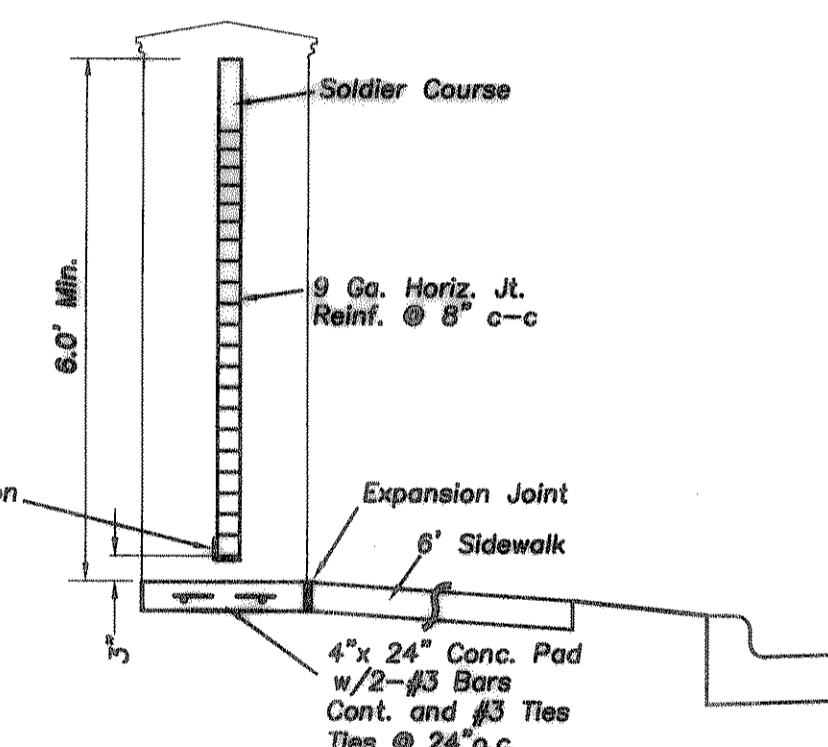
**BRICK THIN WALL**



**23" x 23" BRICK COLUMN**



**BRICK THIN WALL COLUMN**

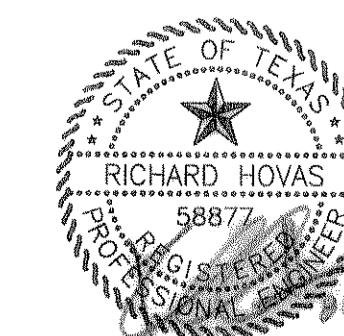


**BRICK THIN WALL**

**AS BUILT PLANS  
10/04/02**

The alignment and grade were set on the ground for construction per the plans. The engineer did not verify alignment or grades after construction. We are not aware of any changes or revisions to these plans during construction except as noted.

Bench Mark 1  
A Standard U.S.C. & G.S. Disk Stamped 'M 929 1946'  
Approx. 1.9 miles southeast along State Hwy. 205 from Courthouse at Rockwall to bridge at Buffalo Creek, at the northwest corner of the concrete bridge in the top of the concrete guardrail base approx. 17 feet southwest of the centerline of the highway, and approx. 3 feet southeast of the northwest end of the guardrail base.  
Elevation = 524.65  
Bench Mark 2  
Top of Concrete ROW Marker, approx. 1.6 miles southeast along State Hwy. 205 and then approx. 0.6 miles east along FM 276 to intersection of paved road, at fence corner at southwest quadrant of intersection.  
Elevation = 543.10



SCREENING WALL PLAN						
LYNDEN PARK ESTATES PHASE 3						
City Of Rockwall, Texas						
TIPTON ENGINEERING, INC.						
6330 Broadway Blvd. ~ Suite C ~ Garland, Texas 75043						
DESIGN	DRAWN	DATE	SCALE	NOTES	FILE	NO.
T.E. inc.	T.E. inc.	03/00	1"=40'H 1"=5'V		4579	21