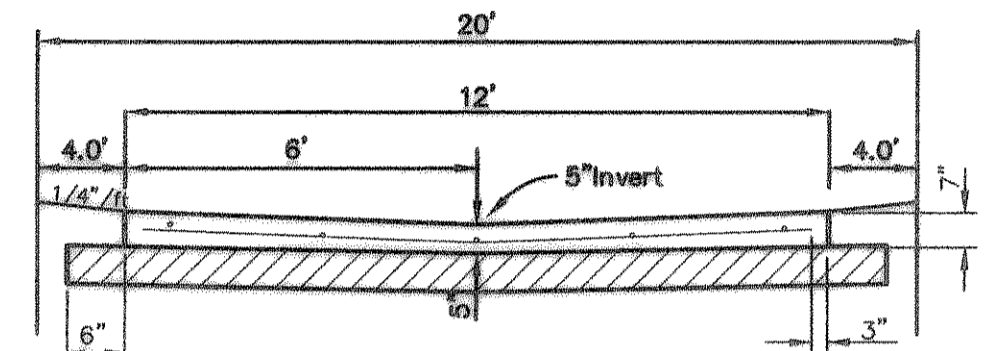


Typical 29' BB Pavement Section
Not To Scale



Typical Alley Section

- Notes!
1. 7"-5"-7" Thick, 4000 P.S.I. Reinforced Concrete Pavement, No. 3 Bars @ 24" O.C. Eachway.
 2. 6" Lime Stabilized Subgrade, Compacted To A Density Not Less Than 95% Std. Proctor.

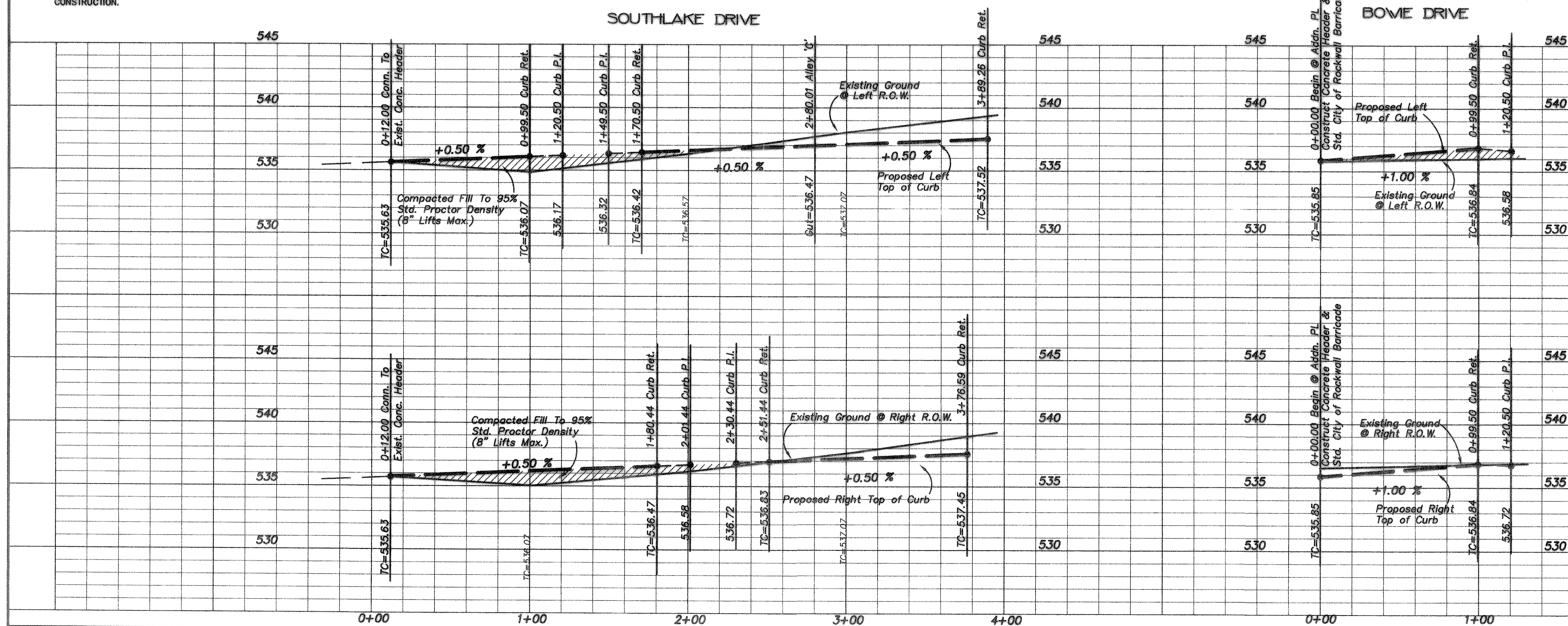
- NOTES:
1. FILL COMPACTION BY SHEEPSFOOT ROLLER.
 2. MINIMUM CONCRETE SHALL BE 6 SACK (3500PSI) FOR MACHINE POURS AND 6.5 SACK FOR HAND POURS

CAUTION !!!
EXISTING UTILITIES

EXISTING UTILITIES AND UNDERGROUND FACILITIES INDICATED ON THESE PLANS HAVE BEEN LOCATED FROM REFERENCE INFORMATION. IT SHALL BE THE RESPONSIBILITY OF THE CONTRACTOR TO VERIFY BOTH HORIZONTALLY AND VERTICALLY THE LOCATION OF ALL EXISTING UTILITIES AND UNDERGROUND FACILITIES PRIOR TO CONSTRUCTION, TO TAKE NECESSARY PRECAUTIONS IN ORDER TO PROTECT ALL FACILITIES ENCOUNTERED. THE CONTRACTOR SHALL PRESERVE AND PROTECT ALL EXISTING UTILITIES FROM DAMAGE DURING CONSTRUCTION.

0+00.00 Begin @ Adm. PL
Construct Concrete Header &
Std. City of Rockwall Barricade

Note!
Construct Barrier Free Ramps At All
Intersection As Per City Standards.

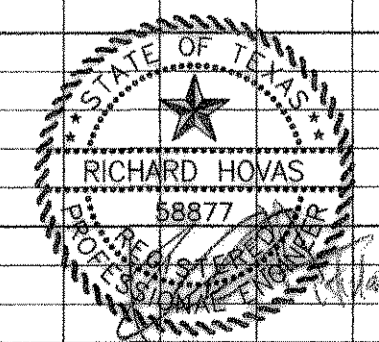


Bench Mark 1
A Standard U.S.C. & G.S. Disk Stamped "M 929 1946"
Approx. 1.8 miles southeast along State Hwy. 205
from Courthouse at Rockwall to bridge at Buffalo
Creek, at the northwest corner of the concrete
bridge in the top of the concrete guardrail base
approx. 17 feet southwest of the centerline of the
highway, and approx. 3 feet southeast of the northwest
end of the guardrail base.
Elevation = 524.65
Bench Mark 2
Top of Concrete ROW Marker, approx. 1.6 miles
southeast along State Hwy. 205 and then approx.
0.6 miles east along FM 276 to intersection of
paved road, at fence corner at southwest quadrant
of intersection.
Elevation = 543.10

AS BUILT PLANS
04/27/2001

The alignment and grade were set on the ground for construction per the plans. The engineer did not verify alignment or grades after construction. We are not aware of any changes or revisions to these plans during construction except as noted.

PAVING PLAN
LYNDEN PARK ESTATES PHASE 2
City Of Rockwall, Texas



TIPTON ENGINEERING, INC.
6330 Broadway Blvd. ~ Suite C ~ Garland, Texas 75043

DESIGN	DRAWN	DATE	SCALE	NOTES	FILE	NO.
T.E. Inc.	T.E. Inc.	03/00	1"=40'H 1"=5'V		4521	3