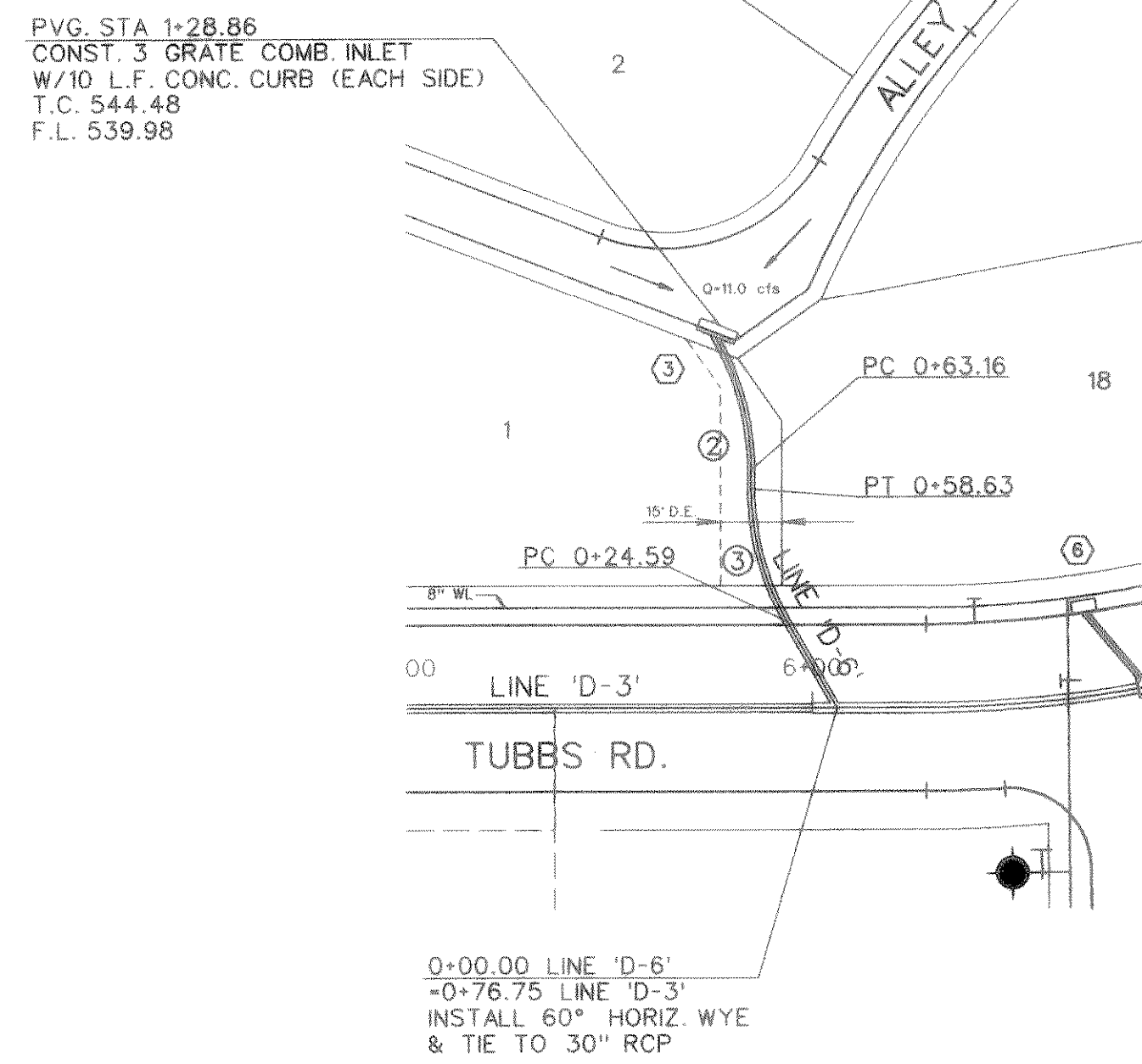
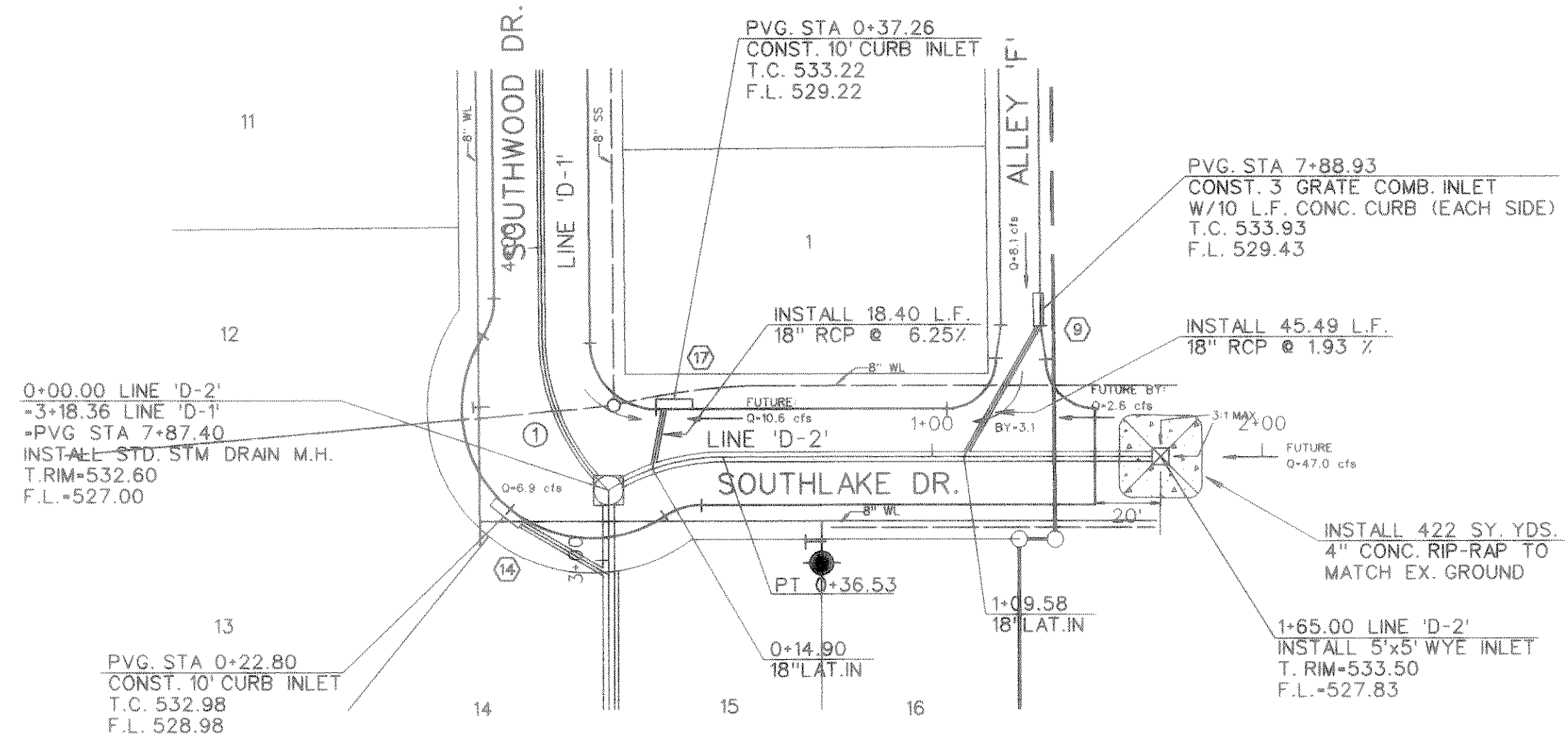
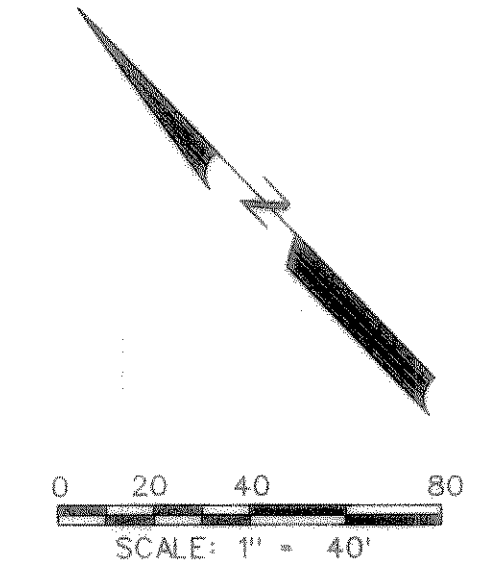
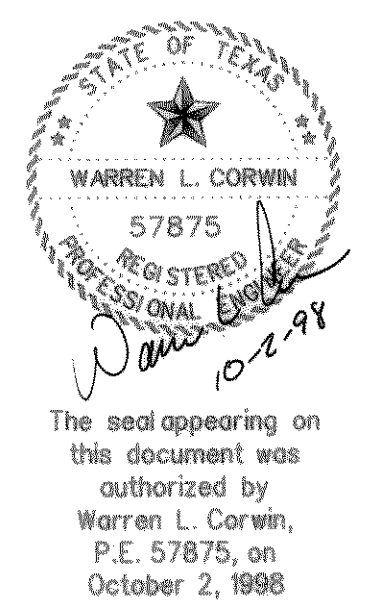
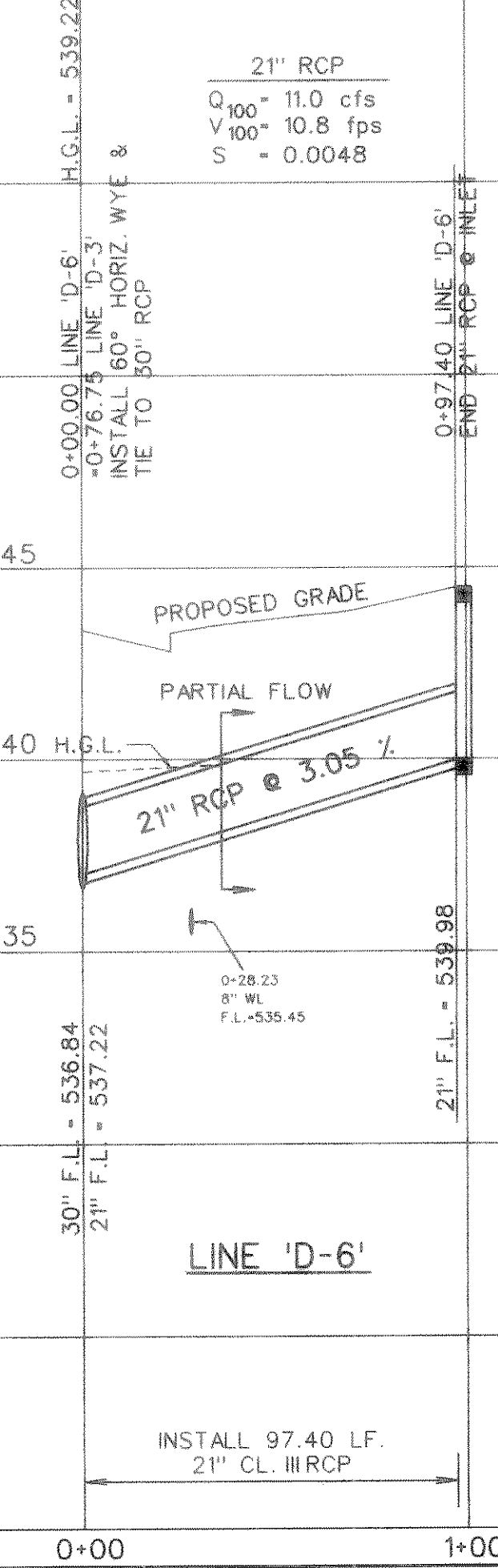
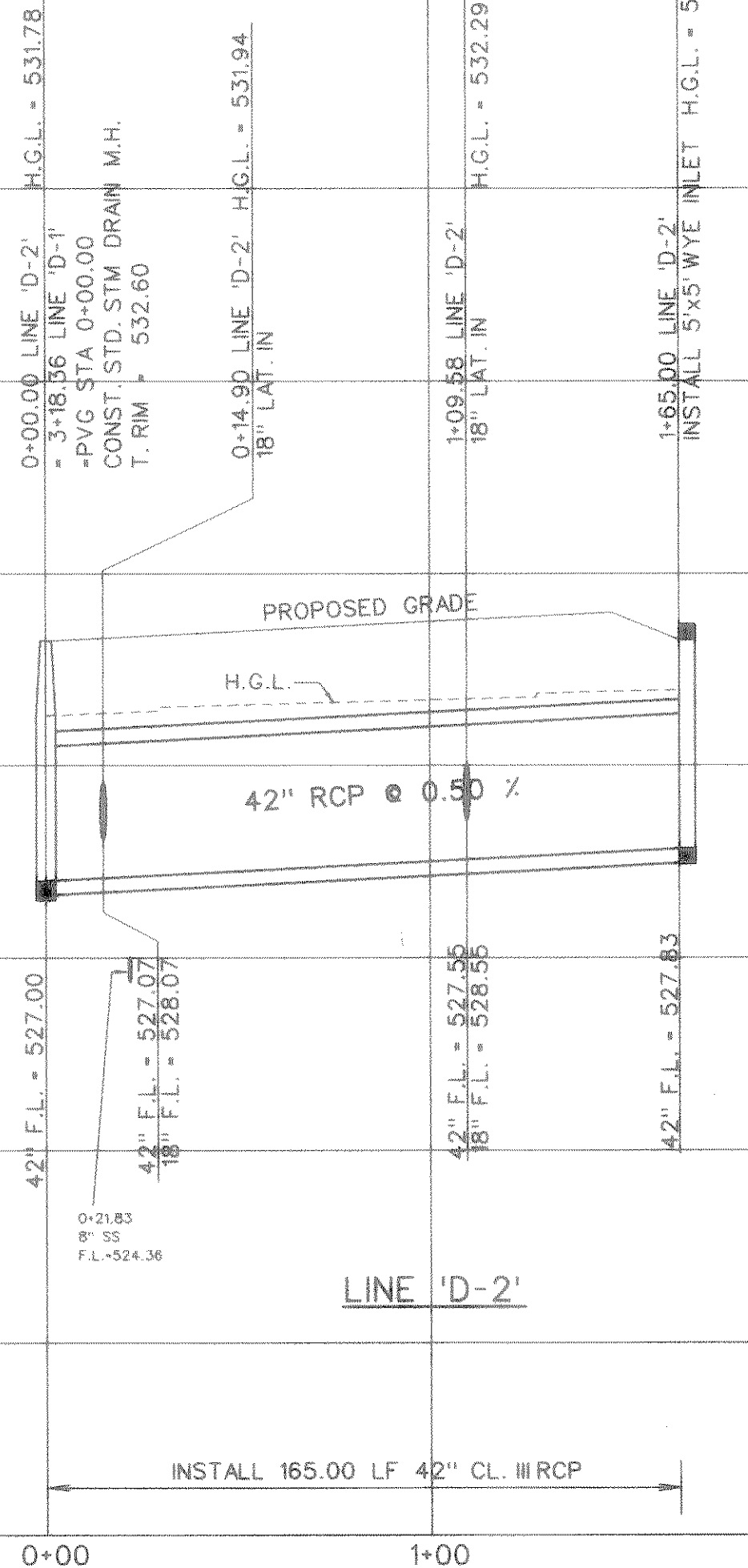


STORM SEWER CURVE DATA			
CURVE NO.	①	②	③
Δ	28° 48' 49"	30° 00' 00"	30° 00' 00"
R	65.00'	65.00'	65.00'
T	16.70'	17.42'	17.42'
L	32.69'	34.03'	34.03'



BENCHMARK:
"□" cut on top of curb, center of inlet on
the Northwest side of Rockwall Pkwy. approx.
140' Northwest of Woodcreek Dr.
ELEVATION = 527.25

42" RCP	42" RCP	42" RCP
Q ₁₀₀ = 62.6 cfs	Q ₁₀₀ = 52.0 cfs	Q ₁₀₀ = 47.0 cfs
V ₁₀₀ = 8.34 fps	V ₁₀₀ = 8.07 fps	V ₁₀₀ = 7.90 fps
S = 0.0039	S = 0.0027	S = 0.0022



AS-BUILT JULY 1999
INFORMATION PROVIDED BY CONTRACTORS
(NOT FIELD VERIFIED)

NO.	REVISIONS	BY	DATE

CORWIN ENGINEERING, INC.
8131 LBJ FREEWAY, SUITE 333
DALLAS, TEXAS 75251 (972) 480-0305

DEVELOPMENT PLANS FOR
LYNDEN PARK ESTATES PHASE IA
ROCKWALL, TEXAS

STORM SEWER PLAN AND PROFILE
LINES 'D-2' & 'D-6'

DRAWN BY	DESIGNED BY	CHECKED BY	SHEET NO.
FWB	FWB	FWB	19 of 24
JOB NUMBER	DATE	SCALE: 1"=4' V 1"=40' H	
9702	MAY, 1997		

FILE: 9647SD1.DGN
REF. FILE:
VIEW:
DATE:

PF: