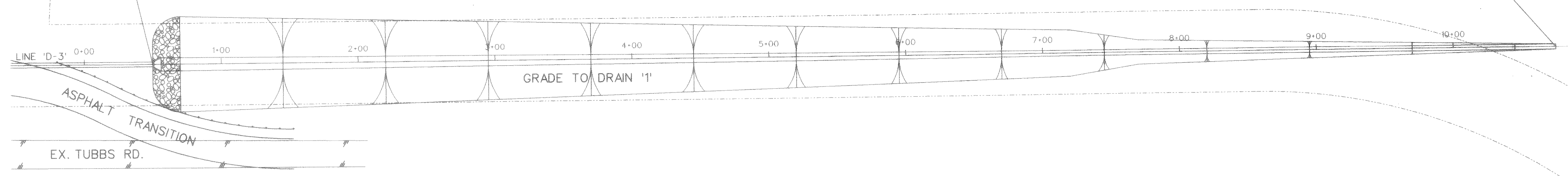


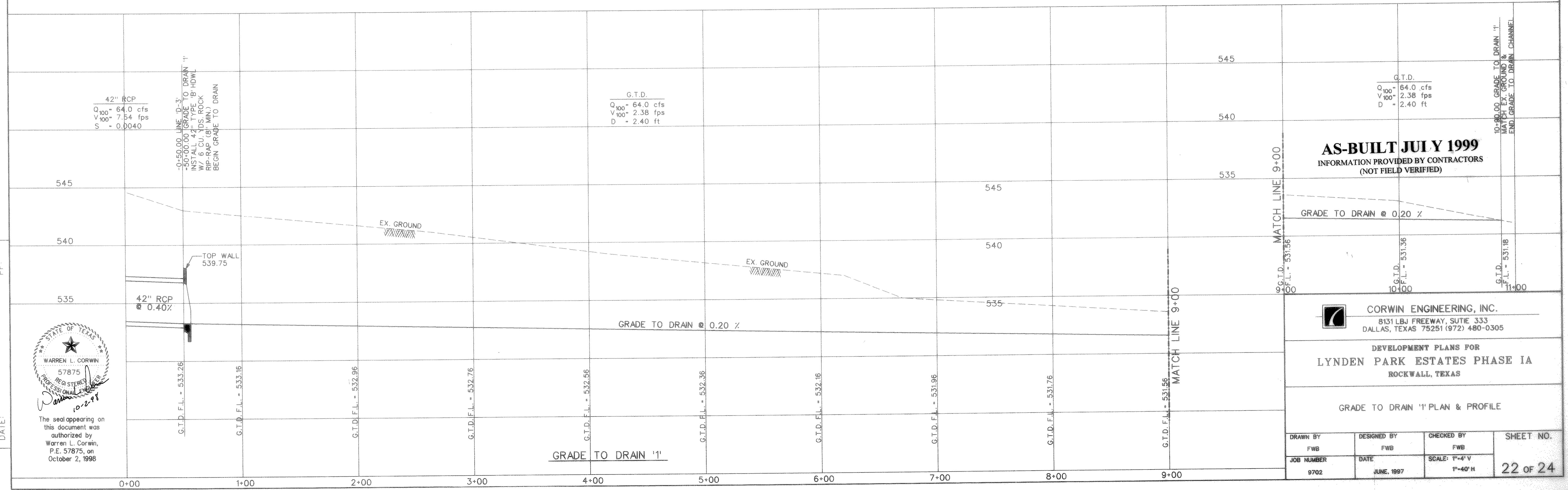
-0+50.00 LINE 'D-3'
= 0+50.00 GRADE TO DRAIN
INSTALL 42" TYPE 'B' HDWL
W/ 6 CU YDS. GROUTED ROCK
RIP-RAP (12" MIN)
BEGIN GRADE TO DRAIN

NOTE:
GRADE TO DRAIN '1' TO BE RESEED
AT THE COMPLETION OF CONSTRUCTION.
CONTRACTOR SHALL BE RESPONSIBLE
FOR VEGETATION UNTIL A 6" STAND OF
GRASS HAS BEEN ESTABLISHED.

10+90.00 GRADE TO DRAIN '1'
MATCH EX. GROUND &
END GRADE TO DRAIN CHANNEL



BENCHMARKS:
"□" cut on top of curb, center of inlet on
the Northwest side of Rockwall Pkwy. approx.
140' Northeast of Woodcreek Dr.
ELEVATION = 527.25



AS-BUILT JULY 1999
INFORMATION PROVIDED BY CONTRACTORS
(NOT FIELD VERIFIED)

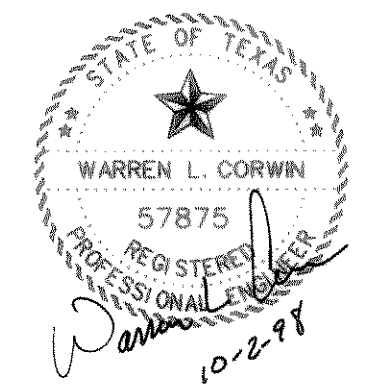
CORWIN ENGINEERING, INC.
8131 LBJ FREEWAY, SUITE 333
DALLAS, TEXAS 75251 (972) 480-0305

DEVELOPMENT PLANS FOR
LYNDEN PARK ESTATES PHASE IA
ROCKWALL, TEXAS

GRADE TO DRAIN '1' PLAN & PROFILE

DRAWN BY FWB	DESIGNED BY FWB	CHECKED BY FWB	SHEET NO. 22 of 24
JOB NUMBER 9702	DATE JUNE, 1997	SCALE: 1"=4' V 1"=40' H	

FILE: 9702SD3.DGN
REF FILE:
VIEW:
DATE:



The seal appearing on
this document was
authorized by
Warren L. Corwin,
P.E. 57875, on
October 2, 1998