

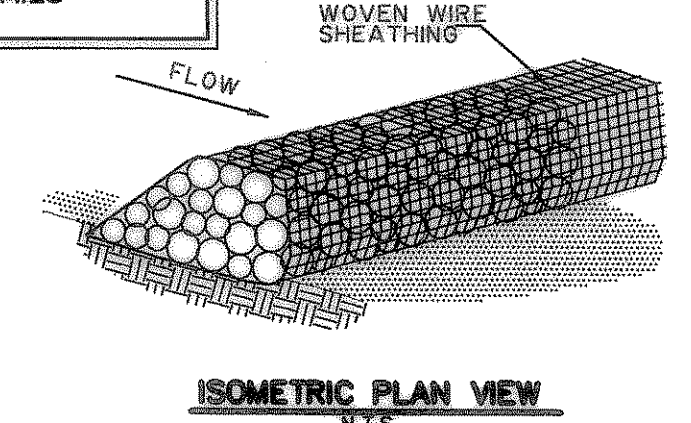
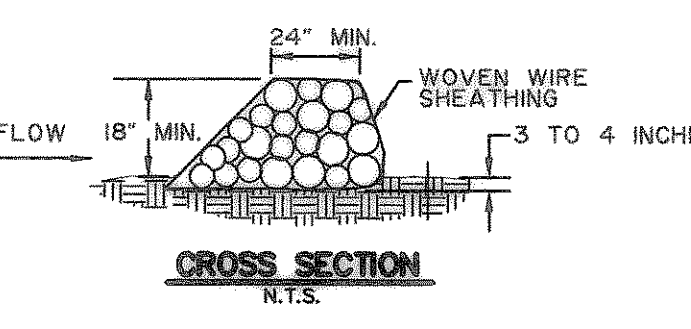
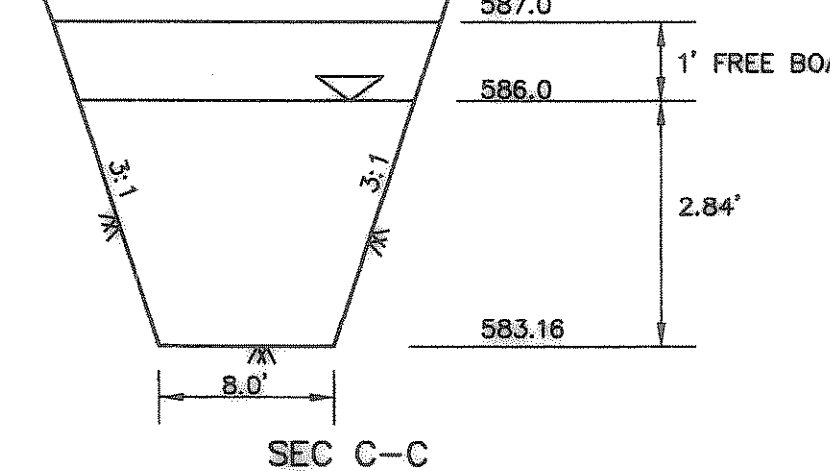
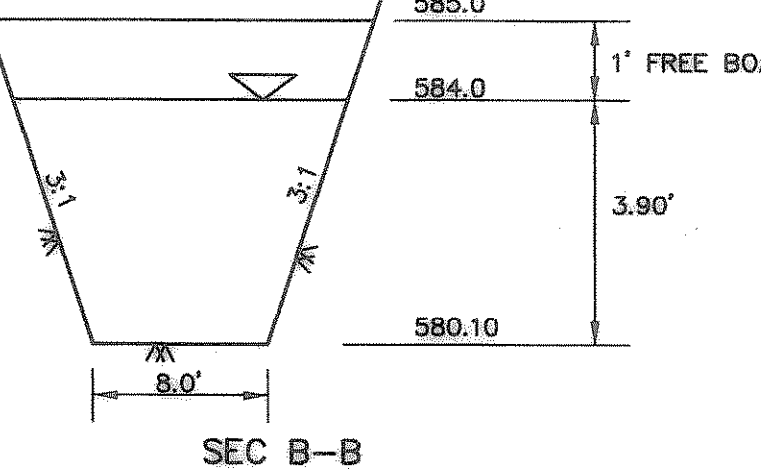
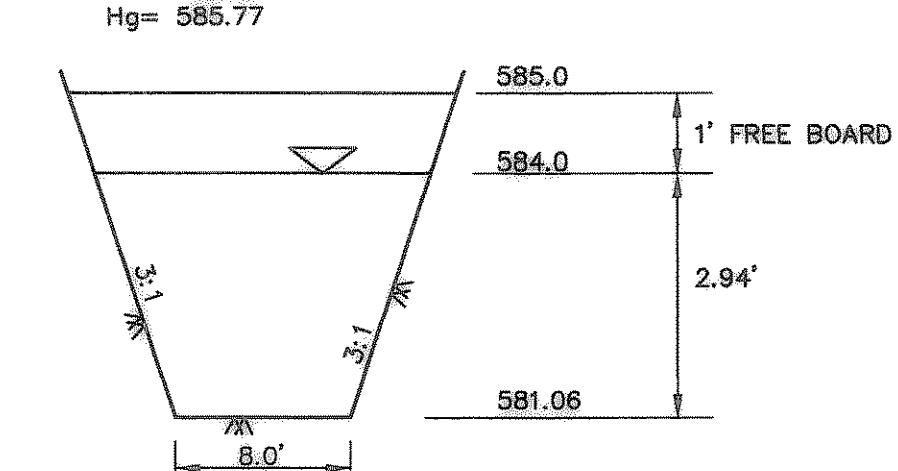
BENCHMARK: ELEV. = 600.69
CITY OF ROCKWALL R-19 BRASS MONUMENT AT THE N/W CORNER OF SILVERVIEW & DIAMOND WAY. 500' ± SOUTH OF S.H. 276.

BENCHMARK: ELEV. = 583.56
P.R. SPIKE SET IN THE CENTERLINE OF S.H. 276 3600± WEST OF F.M. 549

STORM SEWER CURVE TABLE

CURVE	RADIUS	DELTA	TANGENT	LENGTH	CHORD	BEARING
CV-1	65.00'	43°38'59"	26.03'	49.52'	48.33'	N11°06'56"E
CV-2	870.00'	33°42'14"	263.53'	511.77'	504.42'	N16°05'19"E
CV-3	250.00'	24°01'08"	53.18'	104.80'	104.04'	N57°08'29"W
CV-4	800.00'	04°31'34"	31.61'	63.20'	63.18'	S42°36'18"W

- LEGEND**
- 730 EXIST. CONTOURS
 - 724 PROP. CONTOURS
 - S.S. SANITARY SEWER
 - Q₁₀₀ 100-YR FLOW
 - TC TOP OF CURB
 - FL FLOW LINE
 - EW END OF WALL
 - 89°0 EXIST. SPOT ELEVATION
 - FLOW ARROW
 - DRAINAGE BOUNDARY
 - A AREA DESIGNATION
 - 0.45 AREA IN ACRES
 - ROCK BERM



NOTE:
X, Y, Z ARE DRAINAGE TRIBUTARY TO SEC. A-A, SEC. B-B & SEC. C-C RESPECTIVELY.

100 YR FLOW

AREA DESIGNATION	AREA (ACRES)	C	T _C (MIN)	I ₁₀₀ (IN/HR)	Q ₁₀₀ (CFS)
X	0.218	0.50	10	9.80	1.07
Y	0.448	0.80	10	8.80	2.20
Z	0.438	0.59	15	7.80	2.15

Winkelman & Associates, Inc. hereby states that this plan, to the best of our knowledge is "As Built" documents have been made as per information provided by the contractor. Winkelman & Associates, Inc. does not certify as to the correctness or quality of construction as no field inspection was performed.

Winkelman 5/14/04
WINKELMANN & ASSOCIATES, INC. DATE

NO.	DATE	REVISION	APPROV.
10-01-03		ADDED CHECK DAMS	RB

THESE CONSTRUCTION PLANS WERE PREPARED BY ME AND I AM A REGISTERED PROFESSIONAL ENGINEER NO. 87776
MD. NAIM UDDIN KHAN, REGISTERED PROFESSIONAL ENGINEER NO. 87776

THE SEAL APPEARING ON THIS DOCUMENT WAS AUTHORIZED BY MD. NAIM UDDIN KHAN, # 87776

LOFLAND FARMS, PHASE 5A
BAIRNSIDE SUBDIVISION NO. 25
CITY OF ROCKWALL, TEXAS
ROCKWALL COUNTY, TEXAS

Winkelman & Associates, Inc.
CONSULTING CIVIL ENGINEERS & SURVEYORS
6750 Hillwood Road, Suite 100
Dallas, Texas 75230
(972) 482-7999 FAX
www.winkelman.com

LOFLAND FARMS, PHASE 5A
STORM SEWER PLAN
LINE '1', LINE '2' & LINE '3'
LOFLAND FARMS, PHASE 5-A

Scale: 1"=40'
Designed By: MS
Drawn By: MS
Checked By: MK
File: 320045A1.DWG
Project No.: 32004.01

SHEET 20 OF 35