

W.M. BIRD SURVEY, ABSTRACT NO. 25  
CITY OF ROCKWALL  
ROCKWALL COUNTY, TEXAS

CONTINENTAL HOMES  
631 WEST COLLEGE STREET  
GRAPEVINE, TEXAS 76051

**FINAL PLAT**  
**LOFLAND FARMS, PHASE 5-A**  
**83 LOTS - 30.110 ACRES**

Scale: 1"=100' Date: 1-23-03  
Designed By: MK  
Drawn By: MK  
Checked By: BJE  
File: 320048AP01  
Project No.: 22

**TANGENT TABLE**

| TANGENT | BEARINGS      | LENGTH  |
|---------|---------------|---------|
| T1      | S 01°45'10" E | 30.00'  |
| T2      | S 88°13'41" W | 53.94'  |
| T3      | S 44°52'05" W | 47.74'  |
| T4      | S 25°55'30" W | 50.00'  |
| T5      | S 01°47'43" E | 20.00'  |
| T6      | S 88°12'17" E | 50.14'  |
| T7      | S 07°19'05" W | 25.59'  |
| T8      | N 01°00'39" W | 101.35' |
| T9      | N 01°00'39" W | 55.35'  |
| T10     | N 01°00'39" W | 253.00' |
| T11     | N 88°59'05" E | 330.00' |
| T12     | N 88°59'05" E | 253.00' |
| T13     | N 88°59'05" E | 330.00' |
| T14     | S 01°00'39" E | 34.48'  |
| T15     | S 01°00'39" E | 34.48'  |
| T16     | N 88°13'41" E | 120.75' |
| T17     | N 88°13'41" E | 71.06'  |
| T18     | N 88°13'41" E | 71.06'  |
| T19     | S 44°52'05" W | 117.20' |
| T20     | S 44°52'05" W | 144.66' |
| T21     | N 45°07'55" W | 118.83' |
| T22     | S 44°52'05" W | 28.38'  |
| T23     | S 44°52'05" W | 28.38'  |
| T24     | S 88°12'17" E | 95.38'  |
| T25     | S 88°12'17" E | 95.38'  |
| T26     | S 18°13'42" W | 115.00' |
| T27     | S 18°13'42" W | 69.00'  |
| T28     | N 01°47'43" E | 69.00'  |
| T29     | S 01°47'43" E | 28.81'  |
| T30     | S 01°47'43" E | 40.01'  |
| T31     | S 01°47'43" E | 49.51'  |
| T32     | S 01°47'43" E | 79.53'  |
| T33     | S 18°13'42" W | 193.62' |
| T34     | S 18°13'42" W | 193.62' |
| T35     | S 18°13'42" W | 119.00' |
| T36     | N 71°46'18" W | 450.00' |
| T37     | S 88°12'49" E | 450.00' |
| T38     | S 88°12'49" E | 119.00' |
| T39     | S 01°47'11" E | 119.00' |

**COORDINATE TABLE**

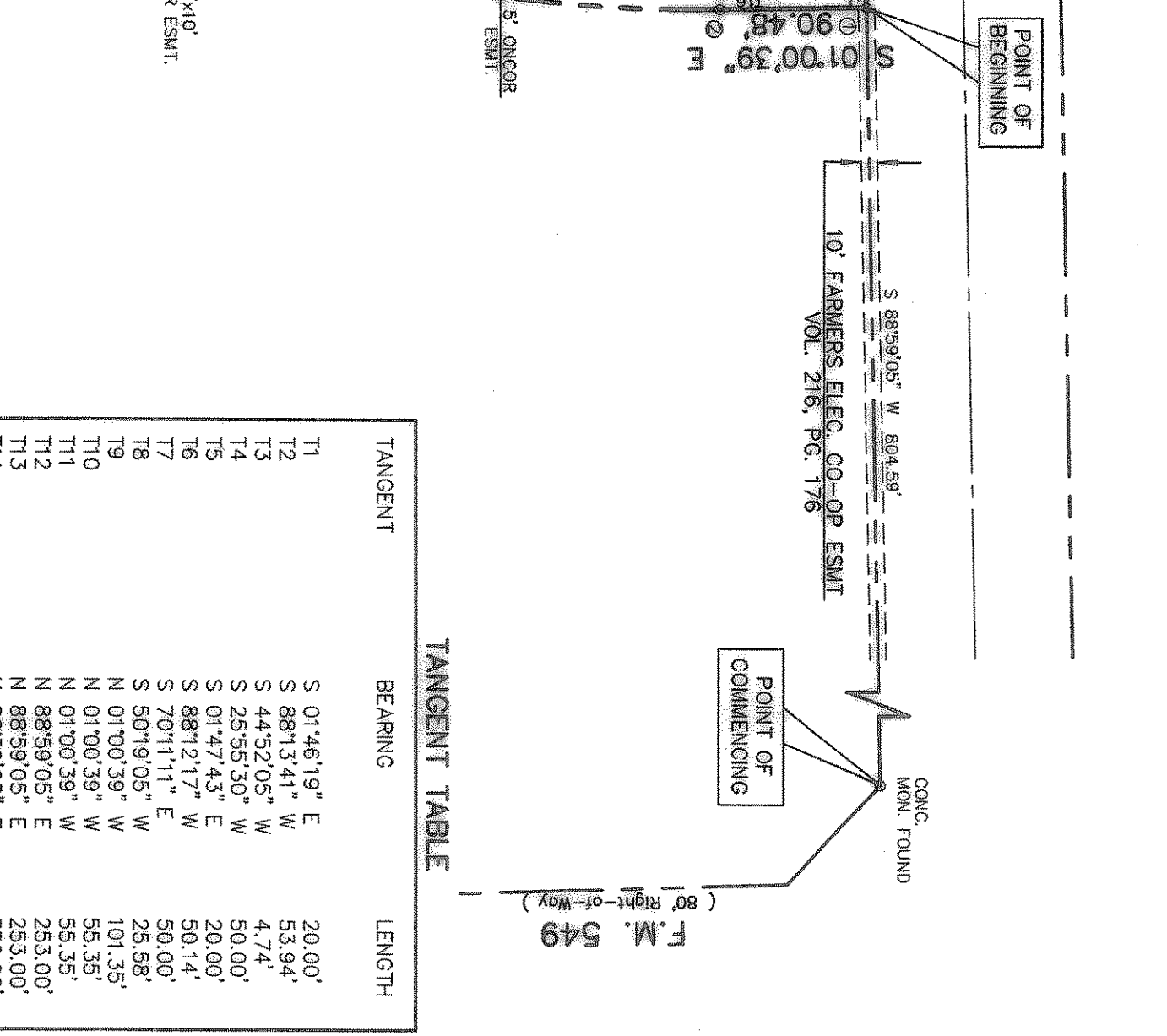
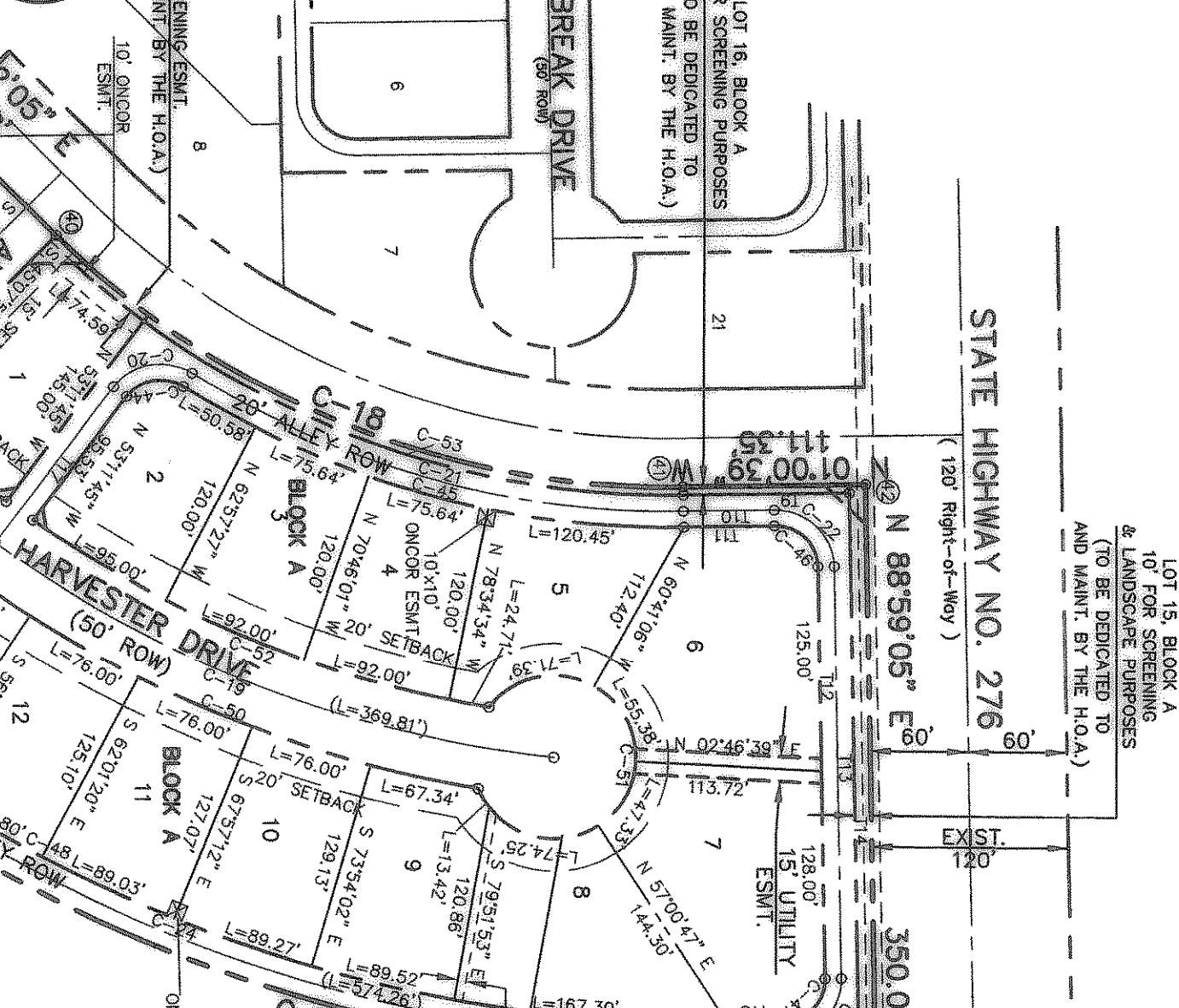
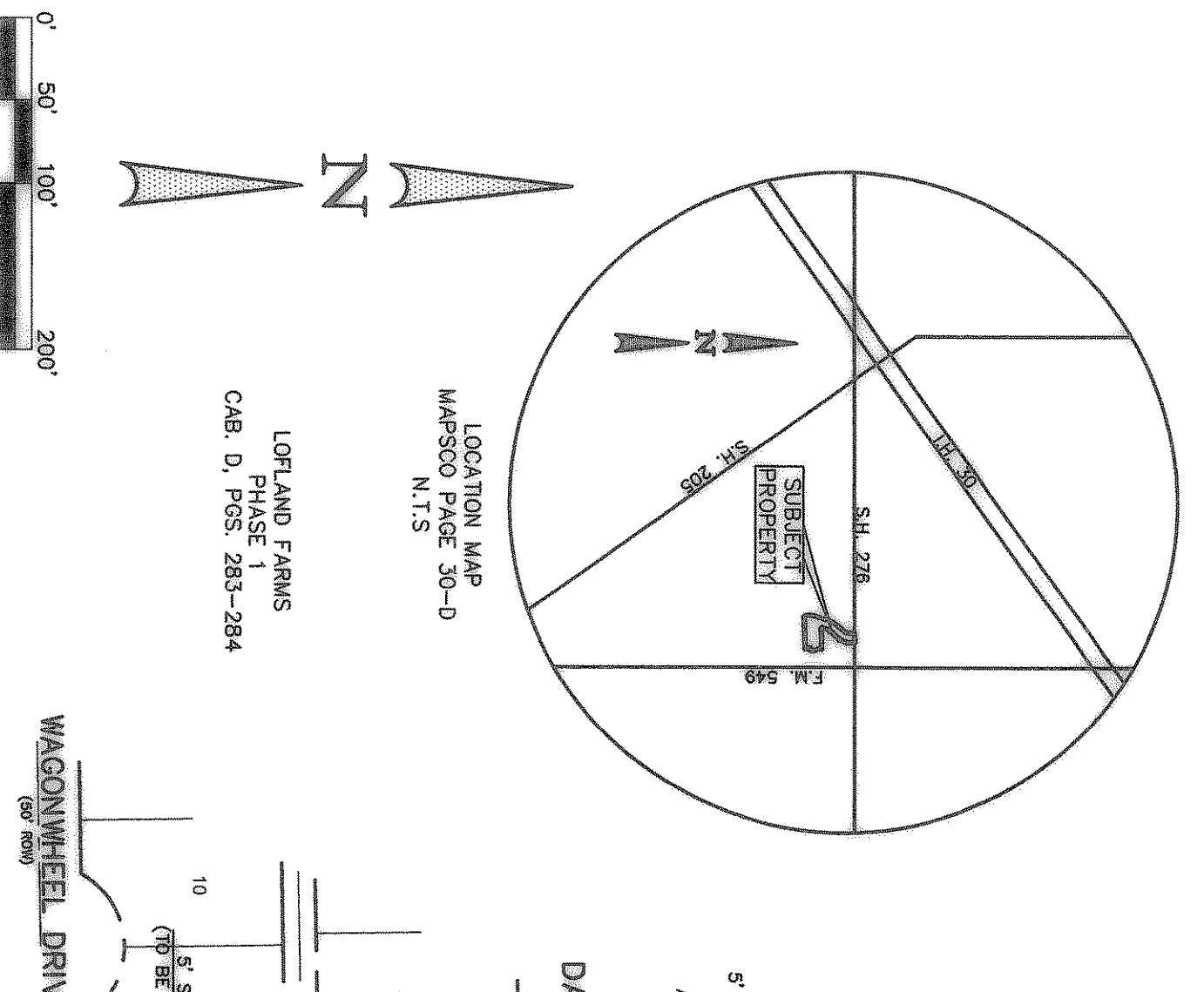
| NUMBER | NORTHING    | EASTING     |
|--------|-------------|-------------|
| 1      | 7018022.860 | 2006425.624 |
| 2      | 7018022.860 | 2006425.624 |
| 3      | 7018022.860 | 2006425.624 |
| 4      | 7018022.860 | 2006425.624 |
| 5      | 7018022.860 | 2006425.624 |
| 6      | 7018022.860 | 2006425.624 |
| 7      | 7018022.860 | 2006425.624 |
| 8      | 7018022.860 | 2006425.624 |
| 9      | 7018022.860 | 2006425.624 |
| 10     | 7018022.860 | 2006425.624 |
| 11     | 7018022.860 | 2006425.624 |
| 12     | 7018022.860 | 2006425.624 |
| 13     | 7018022.860 | 2006425.624 |
| 14     | 7018022.860 | 2006425.624 |
| 15     | 7018022.860 | 2006425.624 |
| 16     | 7018022.860 | 2006425.624 |
| 17     | 7018022.860 | 2006425.624 |
| 18     | 7018022.860 | 2006425.624 |
| 19     | 7018022.860 | 2006425.624 |
| 20     | 7018022.860 | 2006425.624 |
| 21     | 7018022.860 | 2006425.624 |
| 22     | 7018022.860 | 2006425.624 |
| 23     | 7018022.860 | 2006425.624 |
| 24     | 7018022.860 | 2006425.624 |
| 25     | 7018022.860 | 2006425.624 |
| 26     | 7018022.860 | 2006425.624 |
| 27     | 7018022.860 | 2006425.624 |
| 28     | 7018022.860 | 2006425.624 |
| 29     | 7018022.860 | 2006425.624 |
| 30     | 7018022.860 | 2006425.624 |
| 31     | 7018022.860 | 2006425.624 |
| 32     | 7018022.860 | 2006425.624 |
| 33     | 7018022.860 | 2006425.624 |
| 34     | 7018022.860 | 2006425.624 |
| 35     | 7018022.860 | 2006425.624 |
| 36     | 7018022.860 | 2006425.624 |
| 37     | 7018022.860 | 2006425.624 |
| 38     | 7018022.860 | 2006425.624 |
| 39     | 7018022.860 | 2006425.624 |
| 40     | 7018022.860 | 2006425.624 |
| 41     | 7018022.860 | 2006425.624 |
| 42     | 7018022.860 | 2006425.624 |

**CURVE TABLE**

| CURVE | RADIUS | DELTA      | TANGENT LENGTH | CHORD  | BEARINGS    |
|-------|--------|------------|----------------|--------|-------------|
| C-56  | 28.00' | 90°00'00"  | 28.00'         | 40.84' | N26°46'18"W |
| C-57  | 28.00' | 253°22'27" | 28.00'         | 41.77' | N30°59'55"E |
| C-58  | 28.00' | 253°22'27" | 28.00'         | 41.77' | N30°59'55"E |
| C-59  | 28.00' | 253°22'27" | 28.00'         | 41.77' | N30°59'55"E |
| C-60  | 28.00' | 253°22'27" | 28.00'         | 41.77' | N30°59'55"E |
| C-61  | 28.00' | 253°22'27" | 28.00'         | 41.77' | N30°59'55"E |
| C-62  | 28.00' | 253°22'27" | 28.00'         | 41.77' | N30°59'55"E |
| C-63  | 28.00' | 253°22'27" | 28.00'         | 41.77' | N30°59'55"E |
| C-64  | 28.00' | 253°22'27" | 28.00'         | 41.77' | N30°59'55"E |
| C-65  | 28.00' | 253°22'27" | 28.00'         | 41.77' | N30°59'55"E |
| C-66  | 28.00' | 253°22'27" | 28.00'         | 41.77' | N30°59'55"E |
| C-67  | 28.00' | 253°22'27" | 28.00'         | 41.77' | N30°59'55"E |
| C-68  | 28.00' | 253°22'27" | 28.00'         | 41.77' | N30°59'55"E |
| C-69  | 28.00' | 253°22'27" | 28.00'         | 41.77' | N30°59'55"E |
| C-70  | 28.00' | 253°22'27" | 28.00'         | 41.77' | N30°59'55"E |
| C-71  | 28.00' | 253°22'27" | 28.00'         | 41.77' | N30°59'55"E |
| C-72  | 28.00' | 253°22'27" | 28.00'         | 41.77' | N30°59'55"E |
| C-73  | 28.00' | 253°22'27" | 28.00'         | 41.77' | N30°59'55"E |
| C-74  | 28.00' | 253°22'27" | 28.00'         | 41.77' | N30°59'55"E |
| C-75  | 28.00' | 253°22'27" | 28.00'         | 41.77' | N30°59'55"E |
| C-76  | 28.00' | 253°22'27" | 28.00'         | 41.77' | N30°59'55"E |
| C-77  | 28.00' | 253°22'27" | 28.00'         | 41.77' | N30°59'55"E |
| C-78  | 28.00' | 253°22'27" | 28.00'         | 41.77' | N30°59'55"E |
| C-79  | 28.00' | 253°22'27" | 28.00'         | 41.77' | N30°59'55"E |
| C-80  | 28.00' | 253°22'27" | 28.00'         | 41.77' | N30°59'55"E |
| C-81  | 28.00' | 253°22'27" | 28.00'         | 41.77' | N30°59'55"E |
| C-82  | 28.00' | 253°22'27" | 28.00'         | 41.77' | N30°59'55"E |
| C-83  | 28.00' | 253°22'27" | 28.00'         | 41.77' | N30°59'55"E |
| C-84  | 28.00' | 253°22'27" | 28.00'         | 41.77' | N30°59'55"E |
| C-85  | 28.00' | 253°22'27" | 28.00'         | 41.77' | N30°59'55"E |
| C-86  | 28.00' | 253°22'27" | 28.00'         | 41.77' | N30°59'55"E |
| C-87  | 28.00' | 253°22'27" | 28.00'         | 41.77' | N30°59'55"E |
| C-88  | 28.00' | 253°22'27" | 28.00'         | 41.77' | N30°59'55"E |

**CURVE TABLE**

| CURVE | RADIUS  | DELTA      | TANGENT LENGTH | CHORD   | BEARINGS    |
|-------|---------|------------|----------------|---------|-------------|
| C-1   | 880.00' | 33°33'36"  | 262.61'        | 510.41' | S15°36'19"W |
| C-2   | 28.00'  | 133°39'36" | 48.89'         | 43.91'  | S45°31'19"E |
| C-3   | 880.00' | 08°53'45"  | 53.48'         | 106.76' | S41°33'28"W |
| C-4   | 225.00' | 01°57'47"  | 3.86'          | 7.71'   | S83°30'37"E |
| C-5   | 225.00' | 00°07'49"  | 4.29'          | 8.45'   | N61°30'58"W |
| C-6   | 28.00'  | 128°59'07" | 54.49'         | 48.93'  | S27°18'10"E |
| C-7   | 28.00'  | 59°16'36"  | 14.79'         | 26.90'  | S68°33'59"W |
| C-8   | 28.00'  | 10°01'39"  | 3.94'          | 4.86'   | S82°33'41"W |
| C-9   | 28.00'  | 02°05'24"  | 4.10'          | 8.21'   | N18°46'07"E |
| C-10  | 175.00' | 01°50'42"  | 2.88'          | 5.94'   | S18°53'28"W |
| C-11  | 175.00' | 02°05'24"  | 2.88'          | 5.94'   | S18°53'28"W |
| C-12  | 225.00' | 02°05'24"  | 4.10'          | 8.21'   | N18°46'07"E |
| C-13  | 225.00' | 02°05'24"  | 4.10'          | 8.21'   | N18°46'07"E |
| C-14  | 225.00' | 02°05'24"  | 4.10'          | 8.21'   | N18°46'07"E |
| C-15  | 225.00' | 02°05'24"  | 4.10'          | 8.21'   | N18°46'07"E |
| C-16  | 470.00' | 20°01'25"  | 82.97'         | 163.42' | N08°12'59"E |
| C-17  | 470.00' | 20°01'25"  | 82.97'         | 163.42' | N08°12'59"E |
| C-18  | 470.00' | 20°01'25"  | 82.97'         | 163.42' | N08°12'59"E |
| C-19  | 470.00' | 20°01'25"  | 82.97'         | 163.42' | N08°12'59"E |
| C-20  | 470.00' | 20°01'25"  | 82.97'         | 163.42' | N08°12'59"E |
| C-21  | 470.00' | 20°01'25"  | 82.97'         | 163.42' | N08°12'59"E |
| C-22  | 470.00' | 20°01'25"  | 82.97'         | 163.42' | N08°12'59"E |
| C-23  | 470.00' | 20°01'25"  | 82.97'         | 163.42' | N08°12'59"E |
| C-24  | 470.00' | 20°01'25"  | 82.97'         | 163.42' | N08°12'59"E |
| C-25  | 470.00' | 20°01'25"  | 82.97'         | 163.42' | N08°12'59"E |
| C-26  | 470.00' | 20°01'25"  | 82.97'         | 163.42' | N08°12'59"E |
| C-27  | 470.00' | 20°01'25"  | 82.97'         | 163.42' | N08°12'59"E |
| C-28  | 470.00' | 20°01'25"  | 82.97'         | 163.42' | N08°12'59"E |
| C-29  | 470.00' | 20°01'25"  | 82.97'         | 163.42' | N08°12'59"E |
| C-30  | 470.00' | 20°01'25"  | 82.97'         | 163.42' | N08°12'59"E |
| C-31  | 470.00' | 20°01'25"  | 82.97'         | 163.42' | N08°12'59"E |
| C-32  | 470.00' | 20°01'25"  | 82.97'         | 163.42' | N08°12'59"E |
| C-33  | 470.00' | 20°01'25"  | 82.97'         | 163.42' | N08°12'59"E |
| C-34  | 470.00' | 20°01'25"  | 82.97'         | 163.42' | N08°12'59"E |
| C-35  | 470.00' | 20°01'25"  | 82.97'         | 163.42' | N08°12'59"E |
| C-36  | 470.00' | 20°01'25"  | 82.97'         | 163.42' | N08°12'59"E |
| C-37  | 470.00' | 20°01'25"  | 82.97'         | 163.42' | N08°12'59"E |
| C-38  | 470.00' | 20°01'25"  | 82.97'         | 163.42' | N08°12'59"E |
| C-39  | 470.00' | 20°01'25"  | 82.97'         | 163.42' | N08°12'59"E |
| C-40  | 470.00' | 20°01'25"  | 82.97'         | 163.42' | N08°12'59"E |
| C-41  | 470.00' | 20°01'25"  | 82.97'         | 163.42' | N08°12'59"E |
| C-42  | 470.00' | 20°01'25"  | 82.97'         | 163.42' | N08°12'59"E |
| C-43  | 470.00' | 20°01'25"  | 82.97'         | 163.42' | N08°12'59"E |
| C-44  | 470.00' | 20°01'25"  | 82.97'         | 163.42' | N08°12'59"E |
| C-45  | 470.00' | 20°01'25"  | 82.97'         | 163.42' | N08°12'59"E |
| C-46  | 470.00' | 20°01'25"  | 82.97'         | 163.42' | N08°12'59"E |
| C-47  | 470.00' | 20°01'25"  | 82.97'         | 163.42' | N08°12'59"E |
| C-48  | 470.00' | 20°01'25"  | 82.97'         | 163.42' | N08°12'59"E |
| C-49  | 470.00' | 20°01'25"  | 82.97'         | 163.42' | N08°12'59"E |
| C-50  | 470.00' | 20°01'25"  | 82.97'         | 163.42' | N08°12'59"E |
| C-51  | 470.00' | 20°01'25"  | 82.97'         | 163.42' | N08°12'59"E |
| C-52  | 470.00' | 20°01'25"  | 82.97'         | 163.42' | N08°12'59"E |
| C-53  | 470.00' | 20°01'25"  | 82.97'         | 163.42' | N08°12'59"E |
| C-54  | 470.00' | 20°01'25"  | 82.97'         | 163.42' | N08°12'59"E |
| C-55  | 470.00' | 20°01'25"  | 82.97'         | 163.42' | N08°12'59"E |



Scale: 1"=100' Date: 1-23-03  
Designed By: MK  
Drawn By: MK  
Checked By: BJE  
File: 320048AP01  
Project No.: 22

W.M. BIRD SURVEY, ABSTRACT NO. 25  
CITY OF ROCKWALL  
ROCKWALL COUNTY, TEXAS

CONTINENTAL HOMES  
631 WEST COLLEGE STREET  
GRAPEVINE, TEXAS 76051

Winkelmann & Associates, Inc.  
CONSULTING CIVIL ENGINEERS & SURVEYORS  
631 WEST COLLEGE STREET  
GRAPEVINE, TEXAS 76051  
(972) 482-7888 FAX  
(972) 482-7888