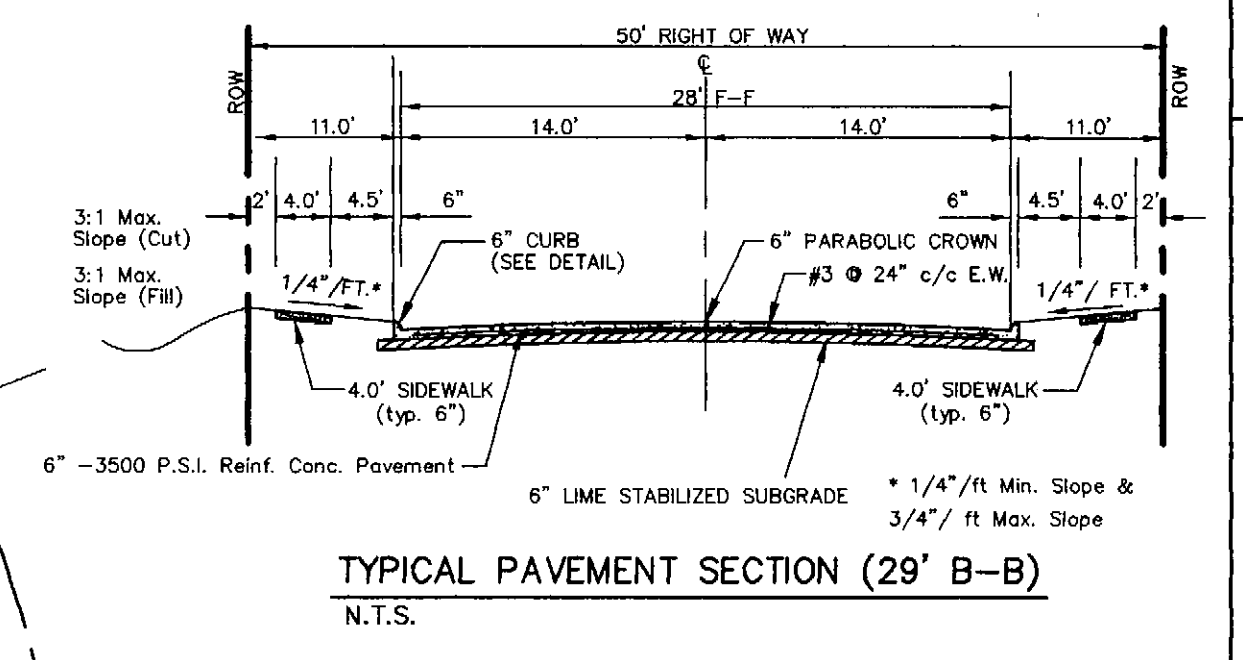
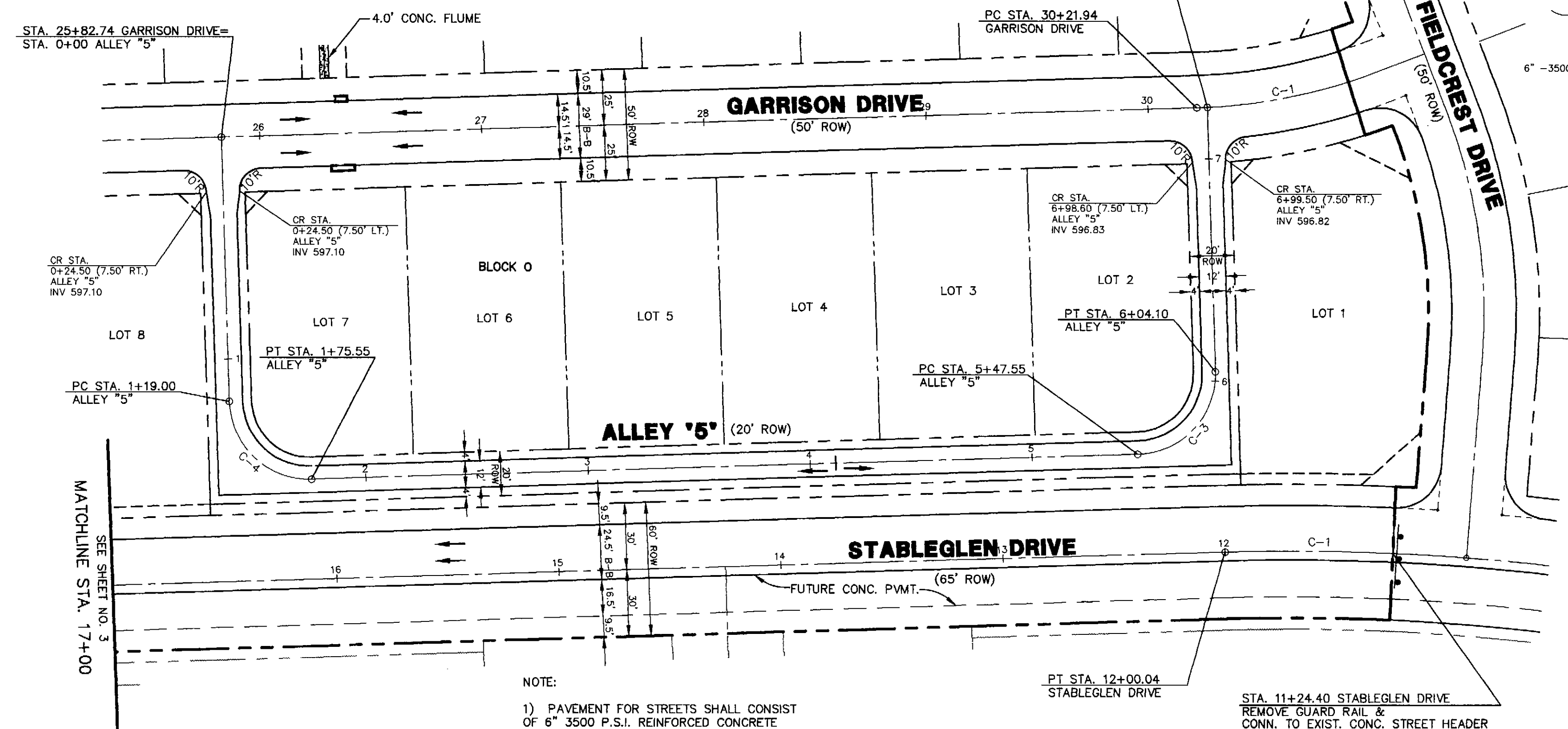
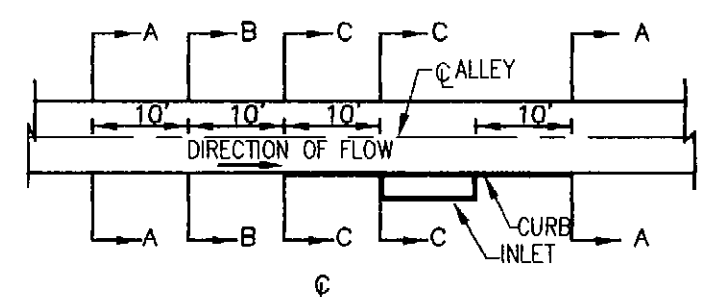
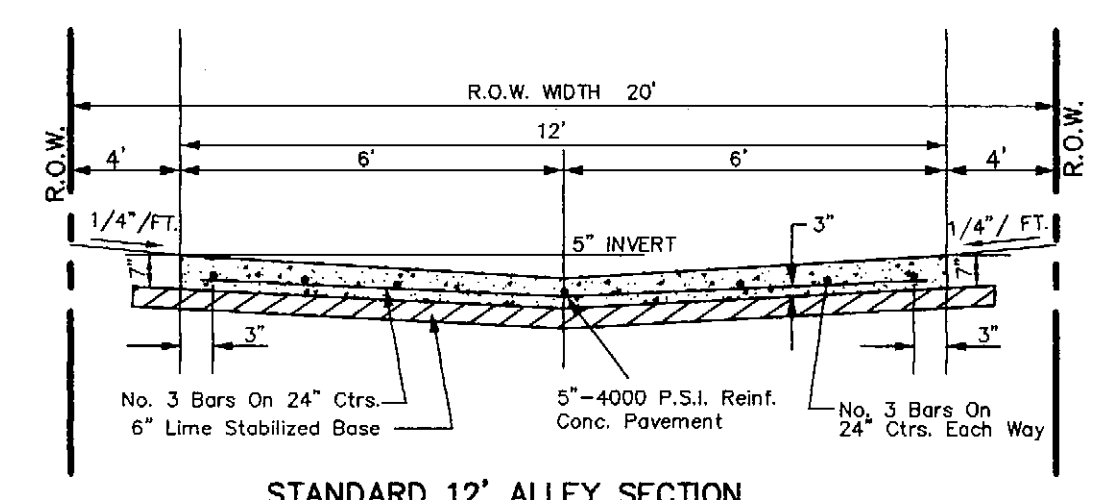


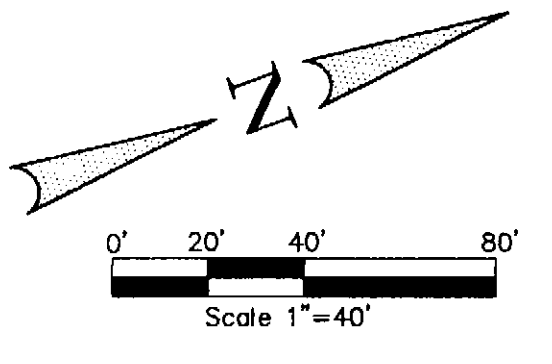
CURVE TABLE

CURVE	RADIUS	DELTA	TANGENT	LENGTH	CHORD	BEARING
C-1	250.00'	15°55'43"	34.98'	69.50'	69.28'	S 101°5'50" W
C-2	1000.00'	04°19'55"	37.82'	75.60'	75.59'	N 20°23'39" E
C-3	36.00'	90°00'00"	36.00'	56.55'	50.91'	S 26°46'18" E
C-4	36.00'	90°00'00"	36.00'	56.55'	50.91'	S 63°13'42" W



LEGEND

TC	TOP OF CURB
TP	TOP OF PAVEMENT
INV	INVERT
CR	CURB RETURN
FL	FLOW LINE
BFR	BARRIER FREE RAMP
+	STREET STATION
→	FLOW ARROW

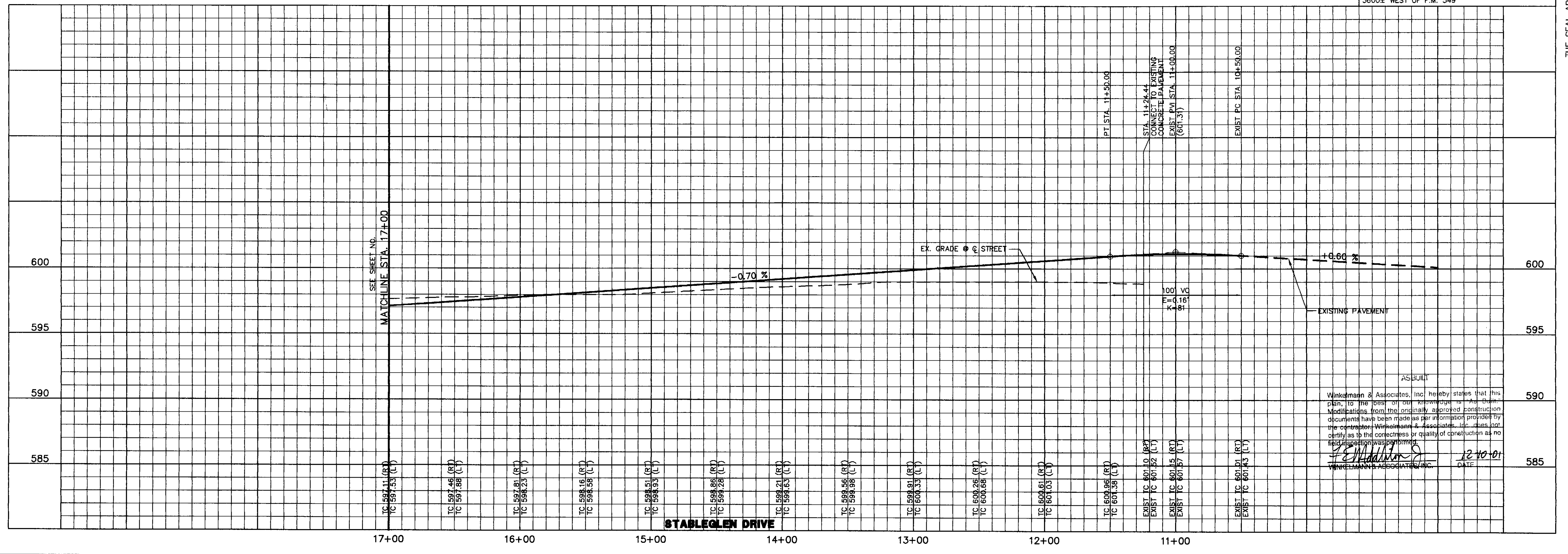


NOTE:

- 1) PAVEMENT FOR STREETS SHALL CONSIST OF 6" 3500 P.S.I. REINFORCED CONCRETE AND 6" LIME-STABILIZED SUBGRADE WITH 6" PARABOLIC CROWN.
- 2) PAVEMENT FOR ALLEYS SHALL CONSIST OF MIN. 5" 4000 P.S.I. REINFORCED CONCRETE AND 6" LIME-STABILIZED SUBGRADE WITH 5" INVERT. TYPICAL ALLEY SECTION WILL BE 7'-5"-7".

BENCHMARK: CITY OF ROCKWALL R-19 BRASS MONUMENT AT THE N/W CORNER OF SILVERVIEW & DIAMOND WAY. 500' ± SOUTH OF S.H. 276. ELEV. = 600.69

BENCHMARK: R.R. SPIKE SET IN THE CENTERLINE OF S.H. 276 3600± WEST OF F.M. 549. ELEV. = 583.56



Winkelmann & Associates, Inc. hereby states that this plan, to the best of our knowledge and belief, was prepared in accordance with the standards of practice for the profession of civil engineering and that we are not providing any warranty or representation as to the correctness or quantity of construction as no field inspection was performed.

*[Signature]*  
DATE: 12-10-01  
WINKELMANN & ASSOCIATES, INC.

THESE CONSTRUCTION PLANS WERE PREPARED UNDER THE RESPONSIBLE SUPERVISION OF ENGINEER NO. 67449

THE SEAL APPEARING ON THIS DOCUMENT WAS AUTHORIZED BY F.E. MIDDLETON, JR., P.E. #67449

**PAVING PLAN & PROFILE**  
**STABLEGLEN DRIVE STA. 11+24.44 TO 17+00**  
**PAVING PLAN**  
**ALLEY '5'**  
**LOFLAND FARMS, PHASE 2**

Scale: 1" = 40'  
 Date: 02/14/01  
 Designed By: RB  
 Drawn By: DA  
 Checked By: FEM  
 File: 3200IP13.DWG | View:  
 Project No.: 3200101

SHEET  
**5**  
 OF  
**20**

APPROV. REVISION NO. DATE

**Winkelmann & Associates, Inc.**  
 CONSULTING CIVIL ENGINEERS & SURVEYORS  
 6750 Hillview Plaza, Suite 100, Rockwall, TX 75087  
 (972) 460-7900  
 www.winkelmann.com

W.H. BAIRD SURVEY, ABSTRACT NO. 25  
 CITY OF ROCKWALL  
 ROCKWALL COUNTY, TEXAS  
 CONTINENTAL HOMES  
 621 WEST COLLEGE STREET  
 GRAPEVINE, TEXAS 76051