

THE SEAL APPEARING ON THIS DOCUMENT WAS AUTHORIZED BY W.L. DOUPHRATE II TEXAS P.E. NO. 80102 ON

DOUPHRATE & ASSOCIATES, INC.
ENGINEERING - PROJECT MANAGEMENT - SURVEYING
2255 RIDGE RD., # 200 ROCKWALL, TEXAS 75087
PHONE: (972)771-9004 FAX: (972)771-9005

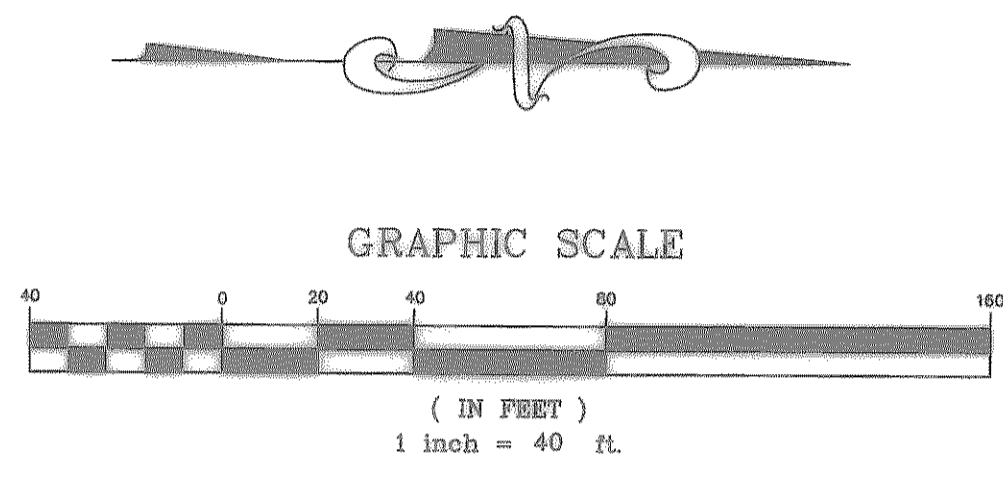
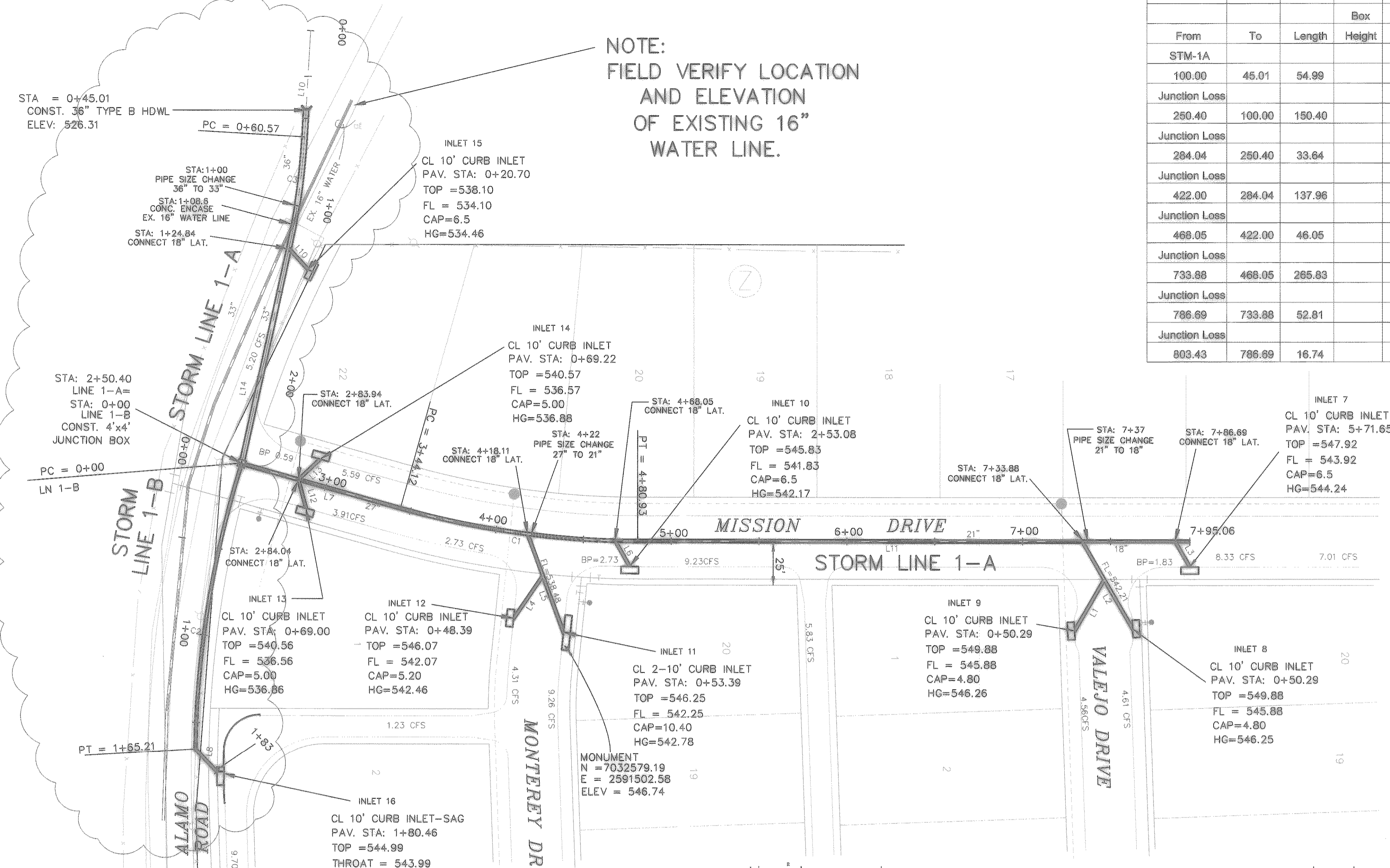
STORM SEWER PLAN & PROFILE
LINE 1-A & 1-B
LAKEVIEW SUMMIT, PHASE 2
CITY OF ROCKWALL, ROCKWALL COUNTY, TEXAS

REVISION
- REVISIONS PER CITY COMMENTS 5/3/05
- REVISIONS PER CITY COMMENTS 5/11/02
- REVISIONS COMMENTS 8/27/03

W.L.D.
CHECKED
K.E.B.
DRAWN
DATE
01/02
9919-2elm-1
PROJECT

From	To	Length	Box	Height	Width	DESIGN Q100	Pipe Size (in)	CAP Q100	FULL V	PARTIAL V	PARTIAL FLOW %	Flow CHT. No.	Flow Kj	Flow R(R)	Flow R^2/3	Flow Area	FULL S	DESIGN S	HGL Rise	HGL Number	
STIM-1A																					529.31
100.00	45.01	54.99				62.84	36.00	147.49	8.89	8.45	0.43	0.95		0.75	0.83	7.07	0.00888	0.04890	0.48	529.80	
Junction Loss							PSC					1.00		0.69	0.78	5.94	0.01104	0.00570	-0.13	529.67	
260.40	100.00	160.40				55.58	33.00	39.93	9.36	10.48	1.39	1.12		1.00					1.66	531.33	
Junction Loss												1.00		0.56	0.68	3.98	0.02079	0.02860	0.70	531.30	
294.04	260.40	33.64				44.65	27.00	52.38	11.23	11.68	0.85	1.04		1.00					0.69	531.99	
Junction Loss												1.00		0.56	0.68	3.98	0.01347	0.02860	1.86	533.85	
422.00	294.04	127.96				35.94	27.00	52.38	9.04	9.76	0.69	1.08		1.00					-0.05	533.80	
Junction Loss												1.00		0.44	0.58	2.41	0.01958	0.01870	0.90	534.70	
468.05	422.00	46.05				22.17	21.00	21.67	9.22	10.60	1.02	1.15		1.00					0.66	535.36	
Junction Loss												1.00		0.44	0.58	2.41	0.00978	0.01000	2.60	537.96	
733.88	468.05	265.83				15.67	21.00	15.85	6.51	7.49	0.99	1.15		1.00					0.46	538.42	
Junction Loss												1.00		0.38	0.52	1.77	0.00363	0.00390	0.19	538.61	
786.69	733.88	52.81				6.33	18.00	6.56	3.58	4.12	0.96	1.15		1.00					0.00	538.61	
Junction Loss												1.00		0.38	0.52	1.77	0.00363	0.37574	0.06	538.67	
803.43	786.69	16.74				6.33	18.00	64.39	3.58	2.33	0.10	0.65		1.00							

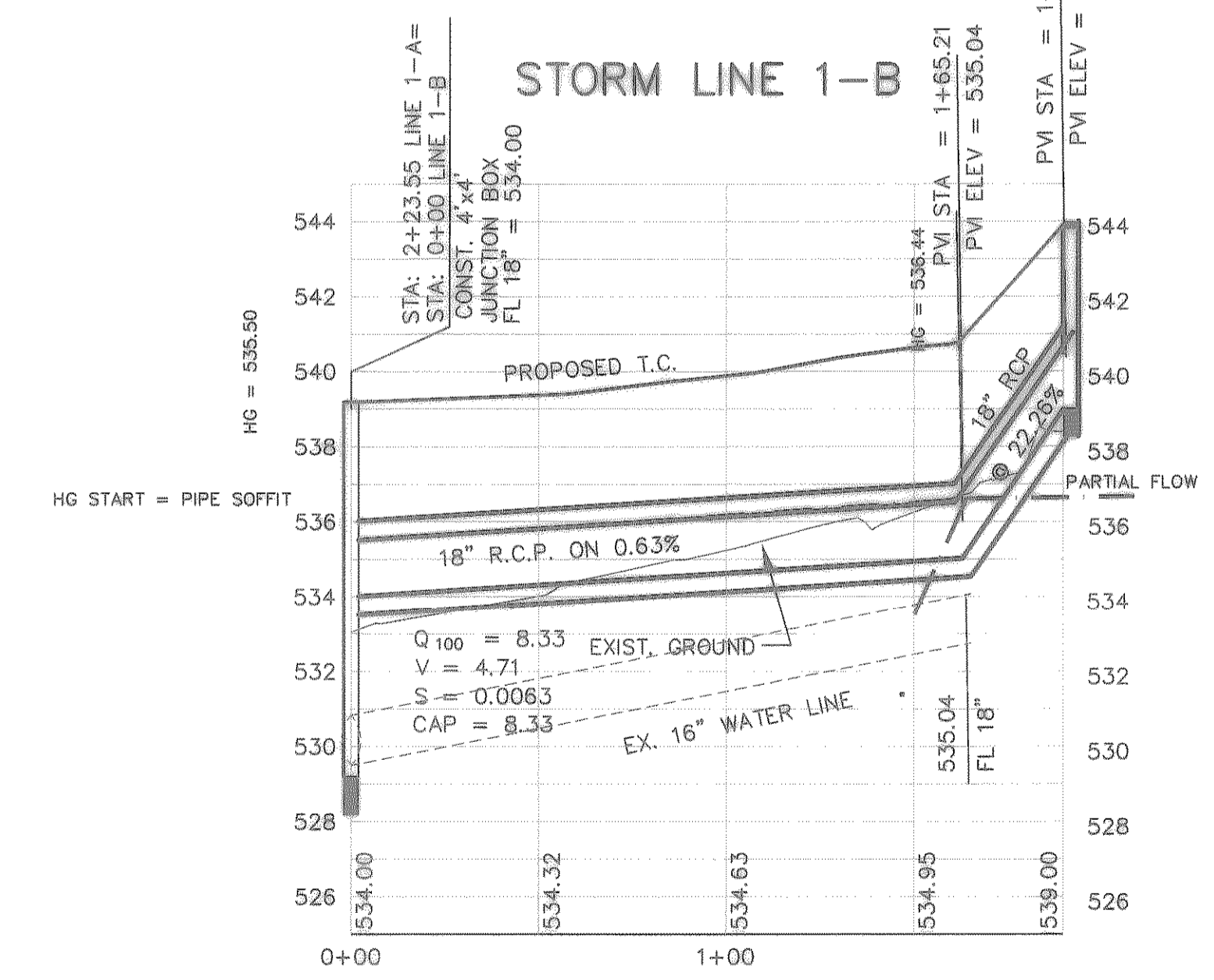
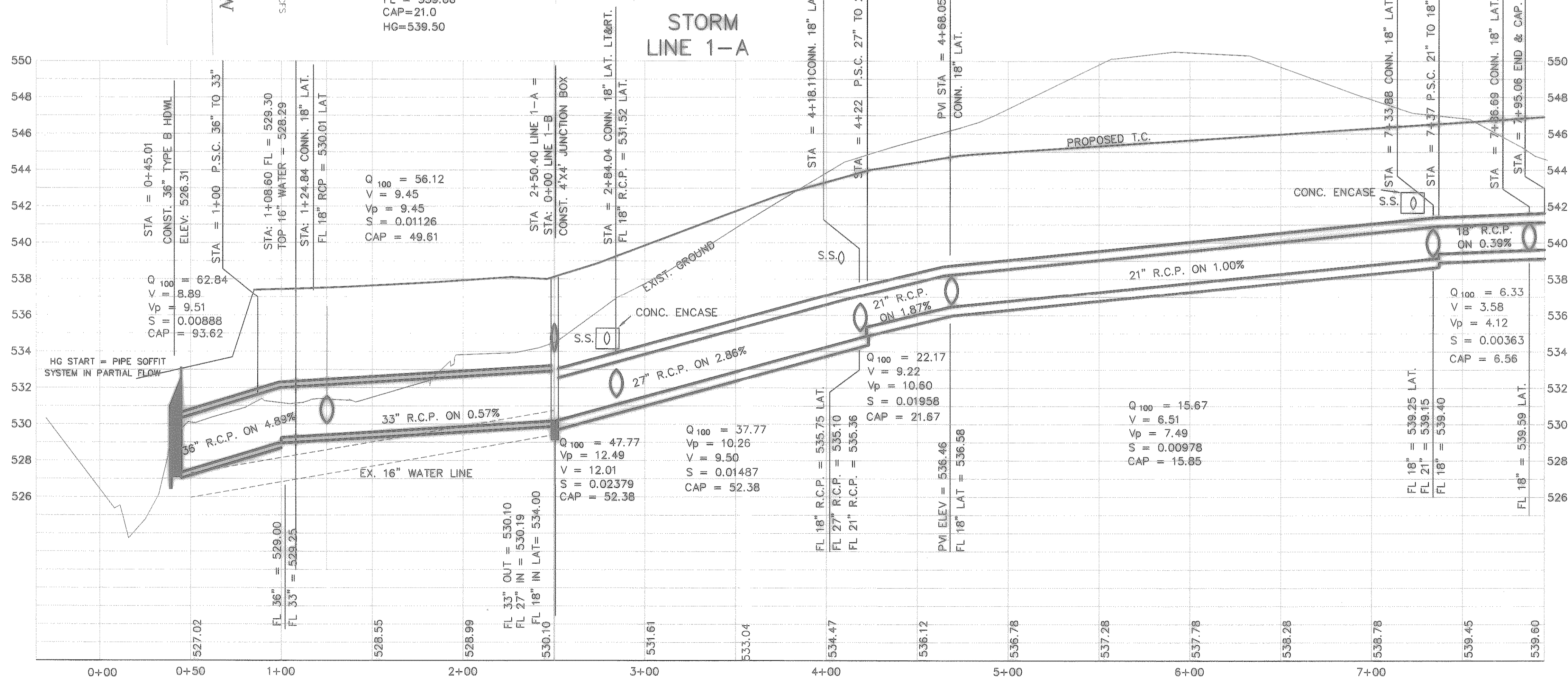
NOTE:
FIELD VERIFY LOCATION
AND ELEVATION
OF EXISTING 16"
WATER LINE.



LINE	LENGTH	BEARING
L1	33.64	N60°22'18"W
L2	57.38	S89°37'42"W
L3	16.74	S89°37'42"W
L4	28.38	N55°59'33"W
L5	59.50	S89°37'42"W
L6	16.91	S60°08'13"W
L7	120.57	S15°18'20"W
L8	85.10	S81°04'43"E
L9	174.68	S71°31'13"E
L10	60.57	S87°03'17"E
L11	314.13	N00°22'18"W
L12	16.74	S72°18'20"W
L13	16.98	S43°48'49"E
L14	126.63	S78°00'10"E

BENCHMARK:
BRASS CAP MONUMENT NO. 10 SET IN CONCRETE IN THE CENTER OF GRASS MEDIAN IN MASTERS DRIVE BETWEEN NORTH LAKESHORE & SHORES BLVD. N 7032464.6317, E 2589554.1518 ELEV. = 524.62

CURVE	LENGTH	RADIUS	DELTA	CB	CD
C1	136.81	500.00	15°40'38"	N07°28'01"E	136.38
C2	165.21	573.95	16°29'33"	N81°08'55"W	164.64
C3	63.19	400.00	09°03'07"	S82°31'44"E	63.13
C4	47.12	150.00	17°59'52"	S79°44'28"W	46.92



REVISED TO CONFORM TO CONSTRUCTION RECORDS.
DATE: _____