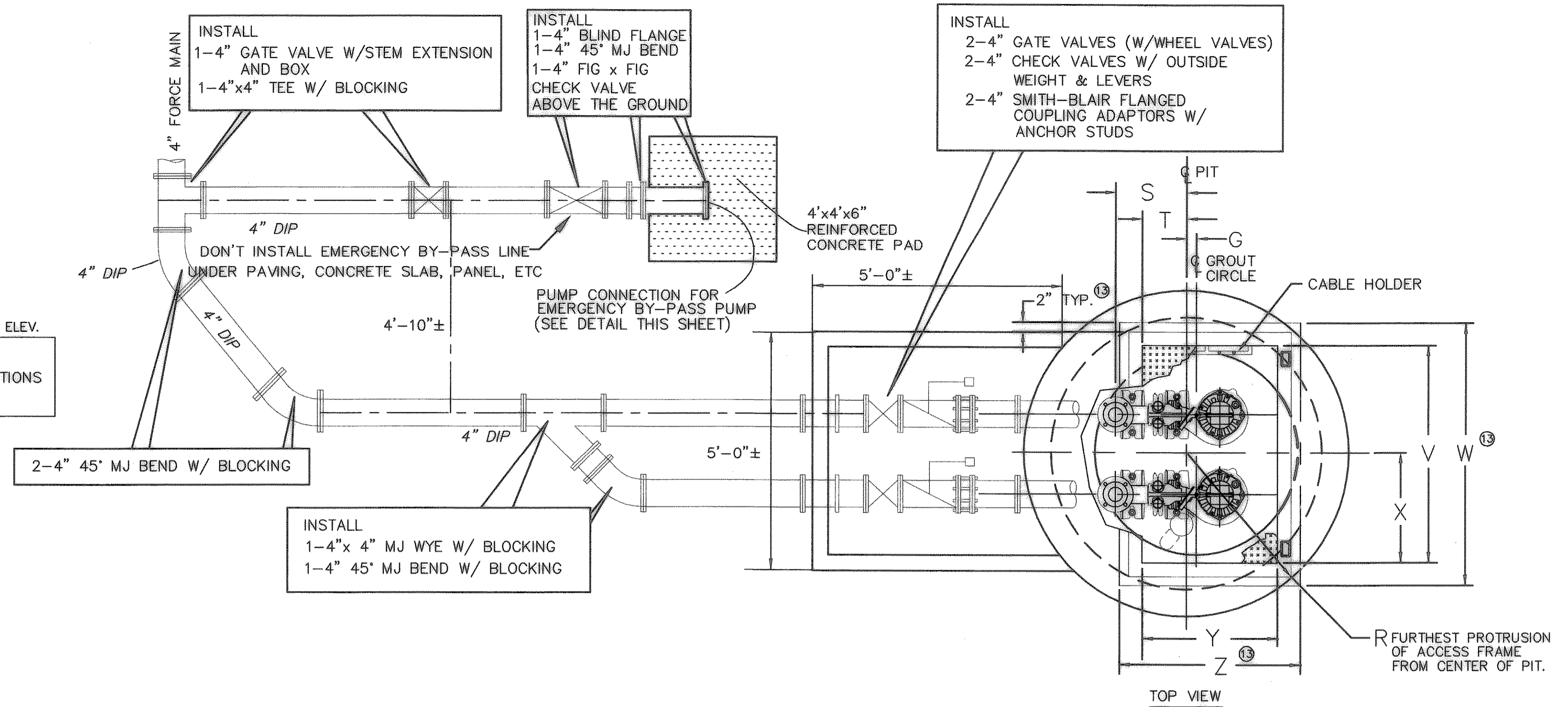
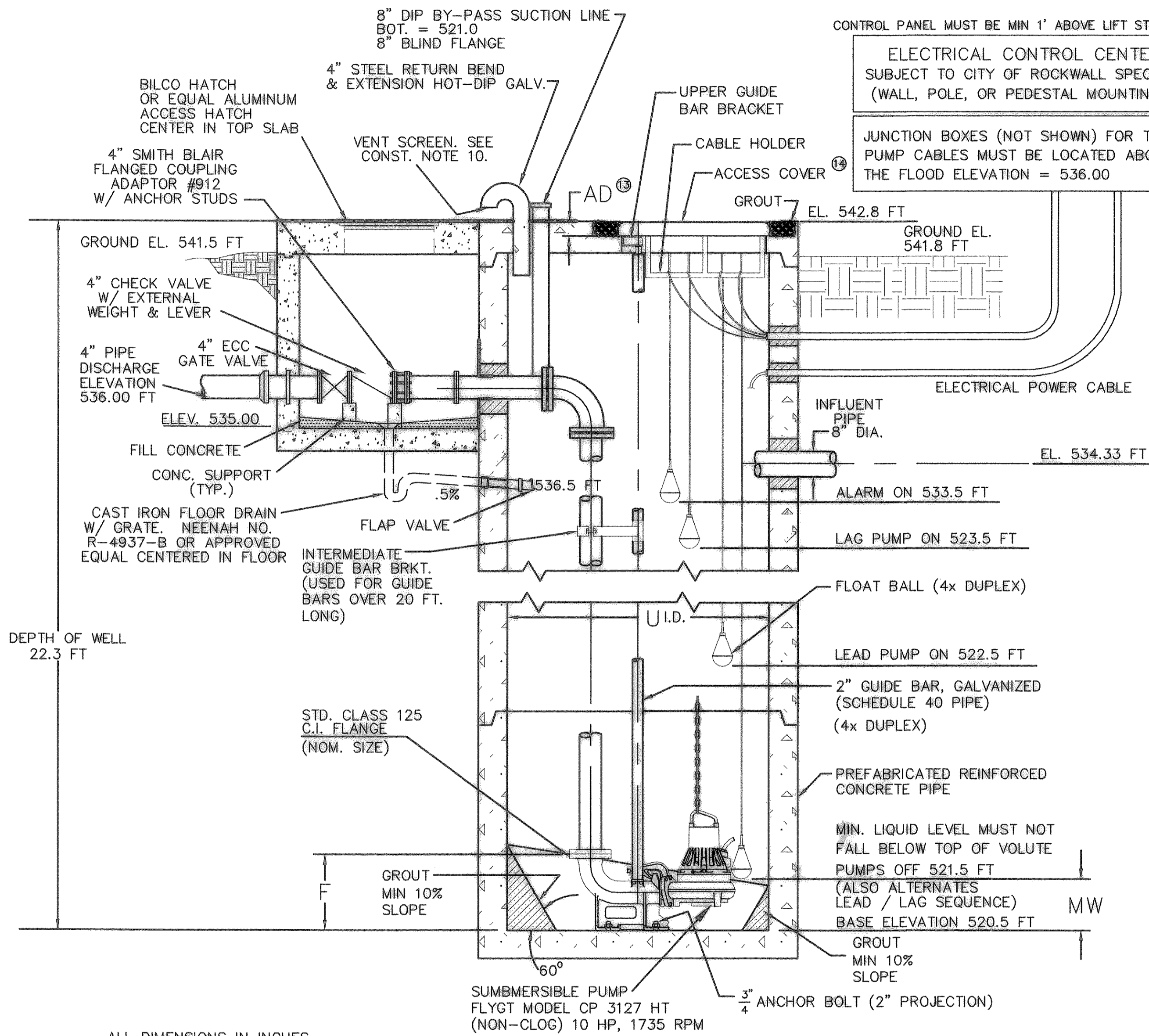


AVERAGE FLOW CALCULATIONS:
 49 LOTS*3.1 PERSONS/LOT*100gpcd=15,190 gpd
 PEAK FLOW CALCULATIONS:
 15,190 gpd * 5 PEAKING FACTOR=75,950 gpd=52.7 gpm

STORAGE CALCULATIONS:
 STORAGE REQUIRED FOR 81 MIN=Q*81 MIN/7.48
 VOL=52.74 GPM*81 MIN/7.48
 VOL=571.11 CF
 MAX WATER SURFACE ELEV. = 534.0 (INFLUENT ELEVATION)
 DEPTH OF WATER STORAGE = 534 - 522.5 = 11.5'
 WET WELL STORAGE=11.5'*50.27 SF= 578.10 CF
 TOTAL PROVIDED STORAGE=578.10 CF



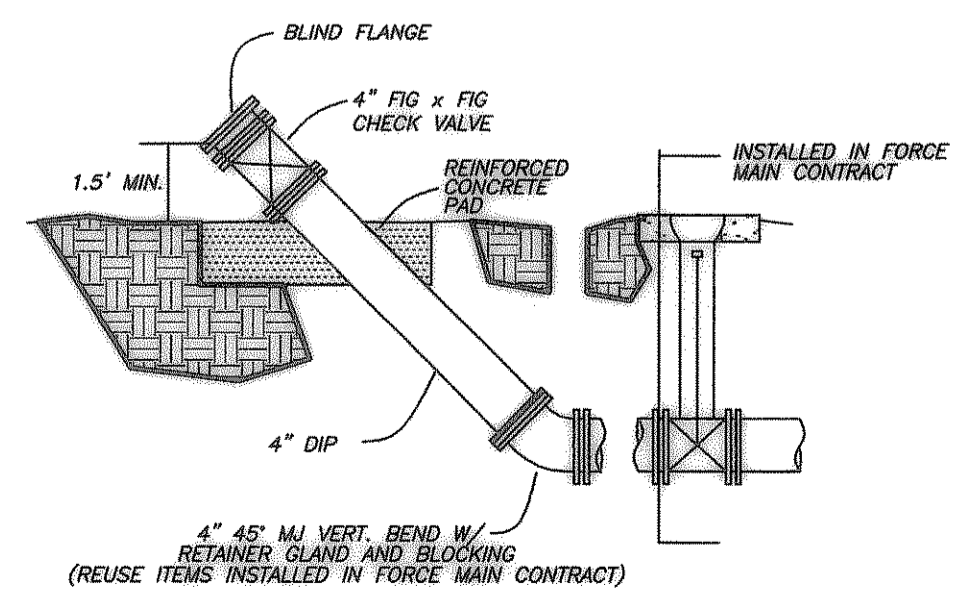
NOTES:

- INDICATES INFORMATION TO BE DETERMINED BY OTHERS.
- LOCATE ANCHOR BOLTS USING CLEAR INSIDE EDGE OF ACCESS FRAME AND CENTER LINE OF PUMP AS REF. POINT. BOLT LOCATIONS MUST BE HELD TO MAINTAIN EXACT POSITION OF PUMP RELATIVE TO ACCESS FRAME.
- GROUT OPENING FOR ACCESS FRAME.
- COVER SHOWN IS FOR STANDARD DUTY ANGLE FRAME. FOR ADDITIONAL DIMENSIONS ON STANDARD DUTY TROUGH FRAME, HEAVY DUTY ANGLE FRAME AND HEAVY DUTY TROUGH FRAME, CONSULT ITT FLYGT CORP. ENGINEERING DEPT.
- CONFIGURATION AND DIMS. SHOWN ARE SUGGESTED REQUIREMENTS ONLY. ALL DETAILS, INCLUDING SIZING OF PIT, TYPE, LOCATION AND ARRANGEMENT OF VALVES AND PIPING, ETC. ARE TO BE SPECIFIED BY THE CONSULTING ENGINEER AND ARE SUBJECT TO HIS APPROVAL.
- INSTALL A PLUG/BREAKER FOR A PORTABLE GENERATOR IN THE ELECTRICAL PANEL.
- EMERGENCY BY-PASS LINE SHALL NOT BE INSTALLED UNDER ANY CONCRETE, PAVING, SLAB, BUILDING, E.T.C.
- CONTRACTOR TO GROUT FILL THE BOTTOM OF WETWELL AS RECOMMENDED BY PUMP SUPPLIER.
- THE CITY OF ROCKWALL REQUIRES THE USE OF A MODICON 612 PLC FOR THIS LIFT STATION AND THE CONTROL PANEL SHALL BE PEDESTAL MOUNTED.
- VENT SCREEN. WELD 3/8" X 9" O.D. PLATE FLANGE TO END OF ELL. PROVIDE COMPANION PLATE FLANGE TO HOLD BUG SCREEN WITH NOT LESS THAN 6 BOLTS. ALL MATERIALS TO BE HOT-DIP GALVANIZED. BUG SCREEN SHALL BE STAINLESS STEEL 8 MESH.

REVISED TO CONFORM TO CONSTRUCTION RECORDS.
 _____ DATE: 11/6/01

ALL DIMENSIONS IN INCHES

MODEL	NOM. SIZE	VERSION	STATION											COVER											
			A	B	C	D	F	G	H	R	S	T	U	MW	PL	SIZE	V	W	X	Y	Z	AD			
CP	4"	HT	2 3/4	9 3/8	8	4	15 1/2	1	47	41 1/2	15 1/2	8 3/4	96	11	10	FLE-8	36	x	48	45 1/2	59	25	33 1/2	47	4



EMERGENCY BY-PASS DETAIL
 N.T.S.

UNLESS OTHERWISE NOTED TOLERANCE ON:		 ITT FLYGT CORPORATION, TRUMBULL, CONNECTICUT 06611 <small>THIS DOCUMENT IS THE PROPRIETARY PROPERTY OF ITT FLYGT CORP. IT HAS BEEN FURNISHED UPON THE CONDITION THAT IT SHALL NOT BE RELEASED, DUPLICATED, USED, OR DISCLOSED IN WHOLE OR IN PART FOR ANY PURPOSE WITHOUT THE EXPRESS WRITTEN PERMISSION OF ITT FLYGT AND SHALL BE CONSIDERED CONFIDENTIAL INFORMATION.</small>					
FRACTIONS	± 1/32						
1 PLACE DEC.	± .1						
2 PLACE DEC.	± .02						
3 PLACE DEC.	± .005						
ANGLES	± 2'						
DATE	BY	LIFT STATION REF. NUMBER 33 SCALE NONE					
CHKR.	BY						
PROJ. ENGR.	BY						
NO.	BY						
REVISION	BY	DATE	APVD.	DATE	APVD.	DATE	BY