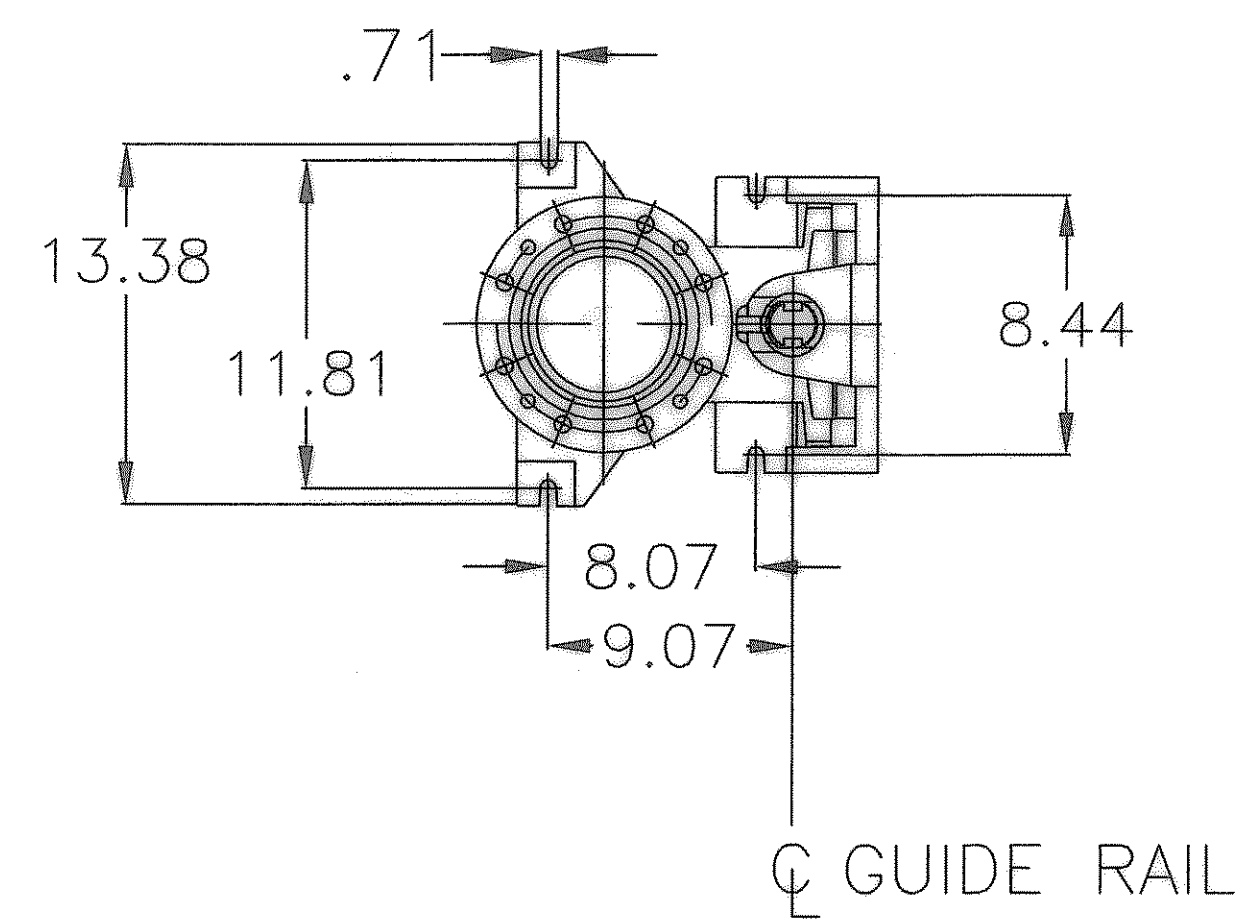
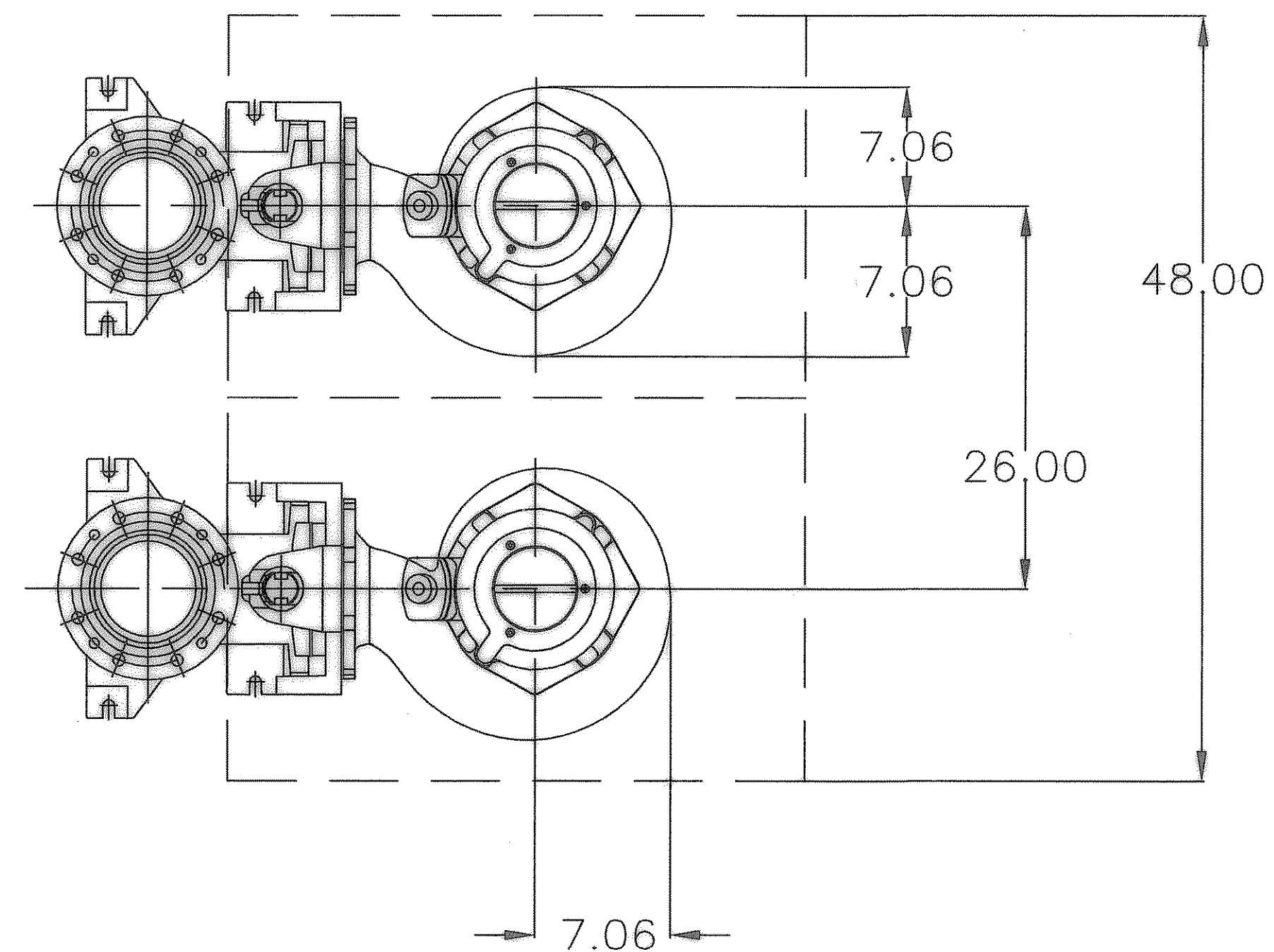
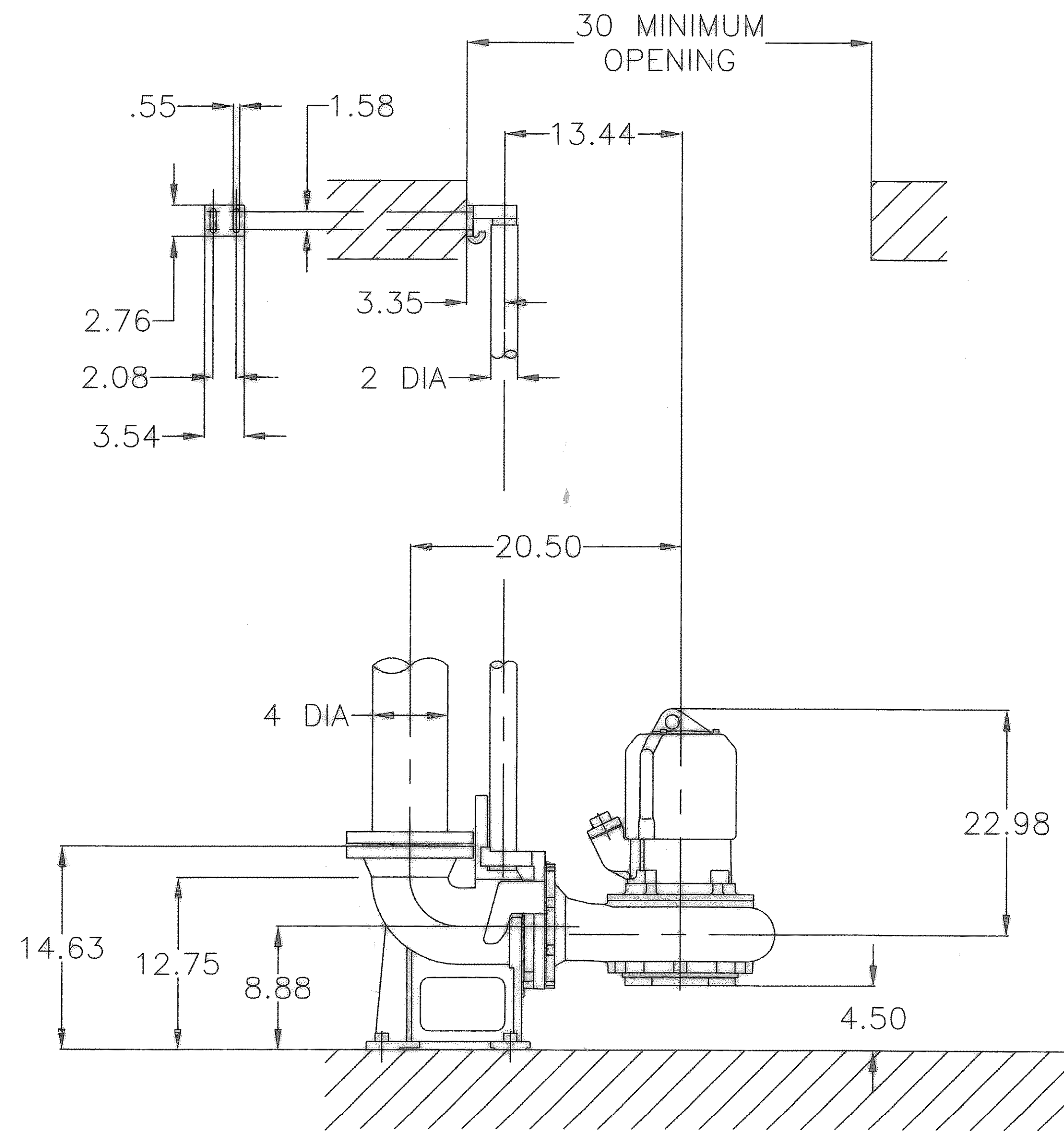



AFP 1032



ANCHOR BOLT LOCATION



REVISED TO CONFORM TO CONSTRUCTION RECORDS.
[Signature] DATE: 4/14/03

REV.	DESCRIPTION	BY	DATE	APVD.	DATE
	 ITT FLYGT CORPORATION TRUMBULL, CONNECTICUT 06611	DRAWN	DATE	BY	LIFT STATION REF. NUMBER 32 SCALE
		CHKR.	DATE	BY	
		PROJ. ENGR.	DATE	BY	
		APVD.	DATE	BY	