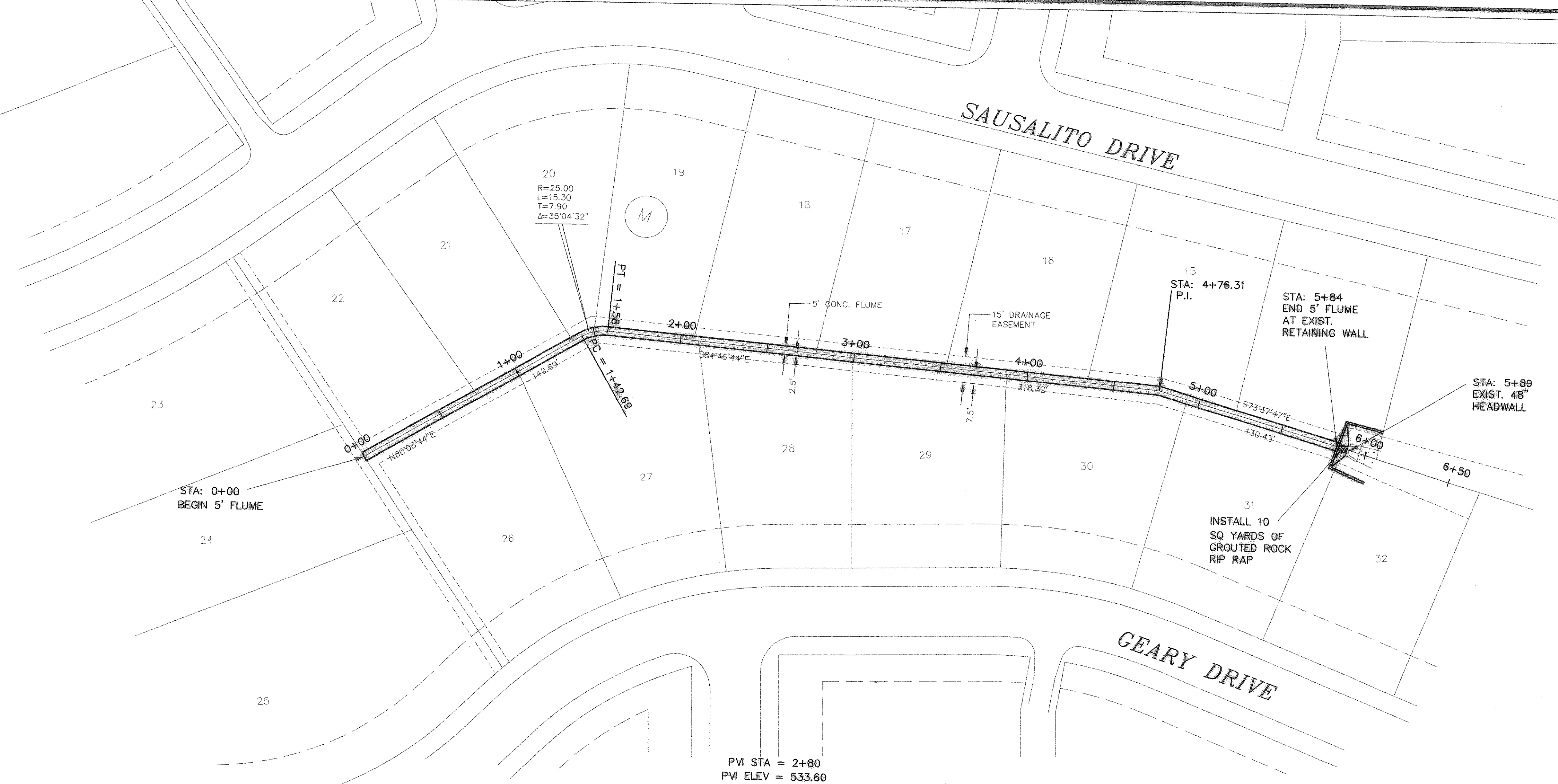
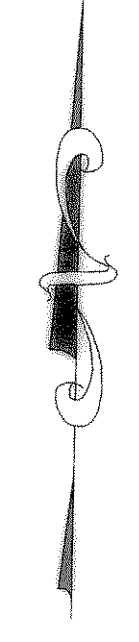
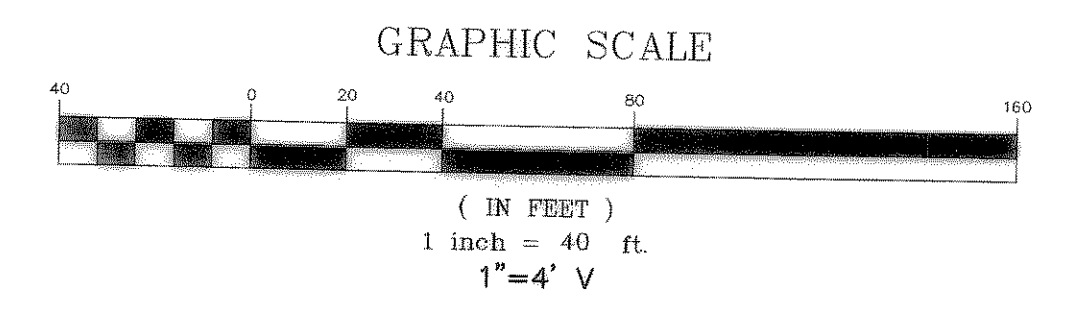


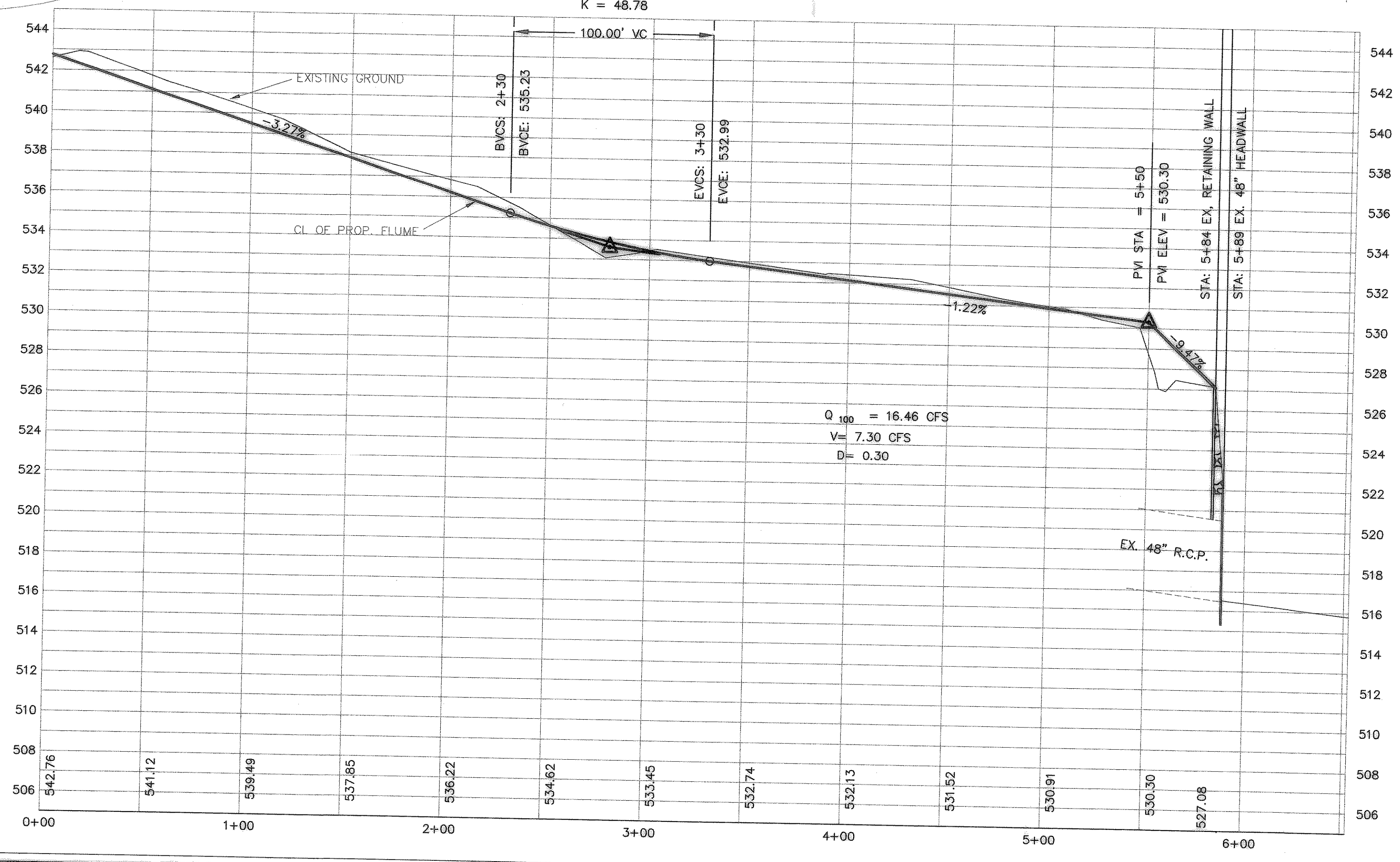
DOUPHRATE & ASSOCIATES, INC.
 ENGINEERING - PROJECT MANAGEMENT - SURVEYING
 2286 RIDGE RD., # 200 ROCKWALL, TEXAS 75087
 PHONE: (972)771-9004 FAX: (972)771-9005

STORM SEWER PLAN & PROFILE
 5' FLUME
 LAKEVIEW SUMMIT, PHASE 2
 CITY OF ROCKWALL, ROCKWALL COUNTY, TEXAS

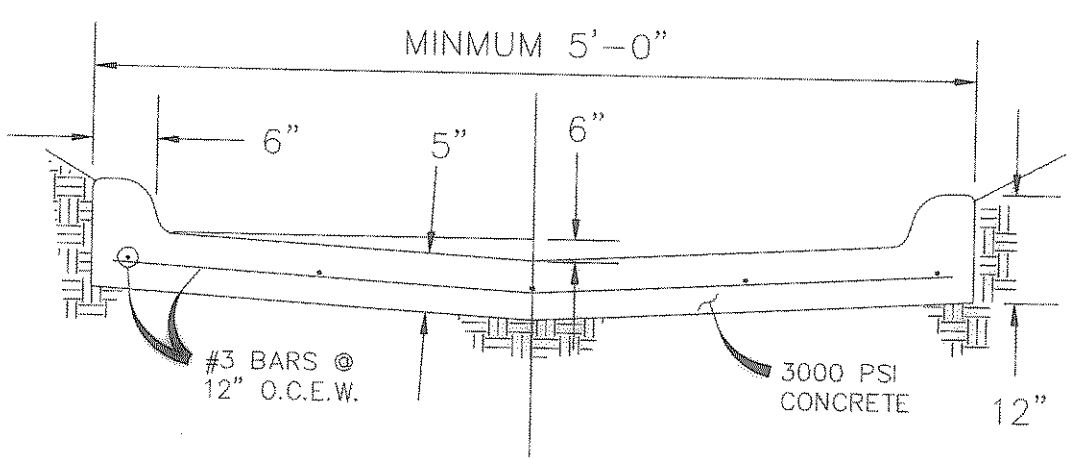
| | |
|----------|------------|
| REVISION | W.L.D. |
| CHECKED | K.E.B. |
| DRAWN | 2/02 |
| DATE | 9910-2STM3 |
| PROJECT | 25-A |
| | OF |



PVI STA = 2+80
 PVI ELEV = 533.60
 A.D. = 2.05
 K = 48.78



BENCHMARK:
 BRASS CAP MONUMENT NO. 10 SET IN CONCRETE IN THE CENTER OF GRASS MEDIAN IN MASTERS DRIVE BETWEEN NORTH LAKE SHORE & SHORES BLVD.
 N 7032464.6317, E 2589554.1518
 ELEV. = 524.62



CONTRACTOR TO SOD SIDE SLOPES
CURBED FLUME

REVISED TO CONFORM TO CONSTRUCTION RECORDS.
W.L. Douphrate II DATE: 11/6/03