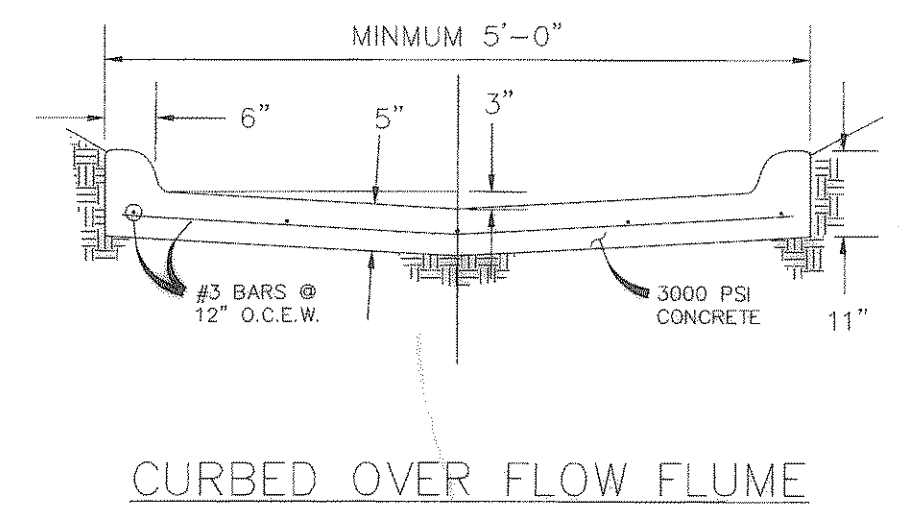
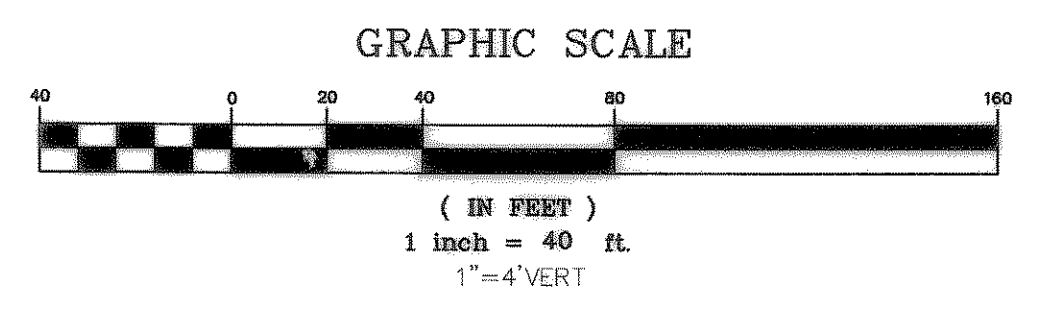
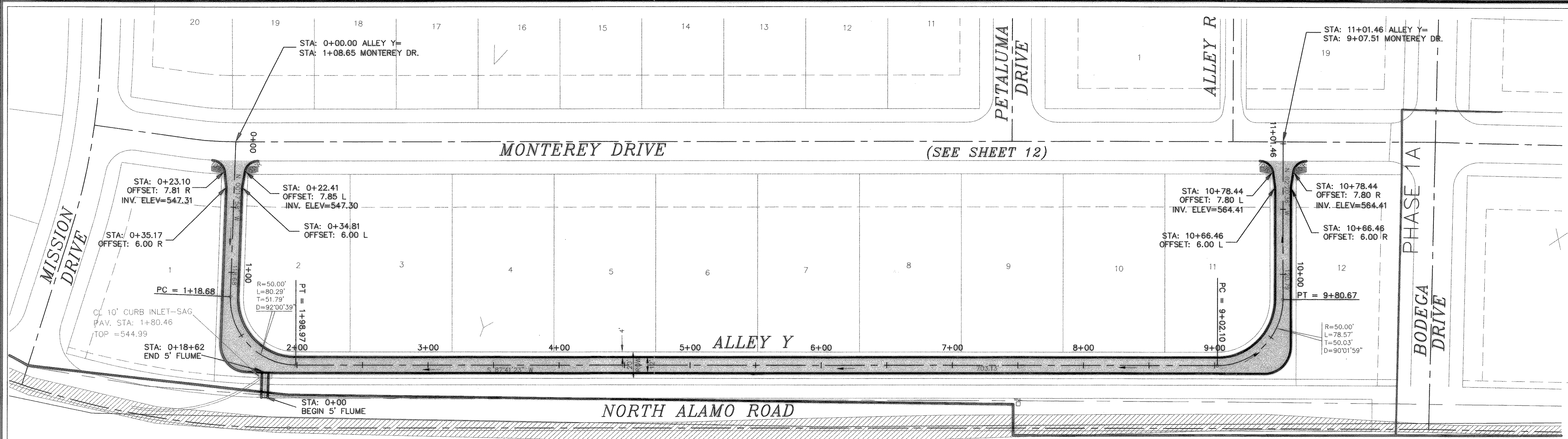
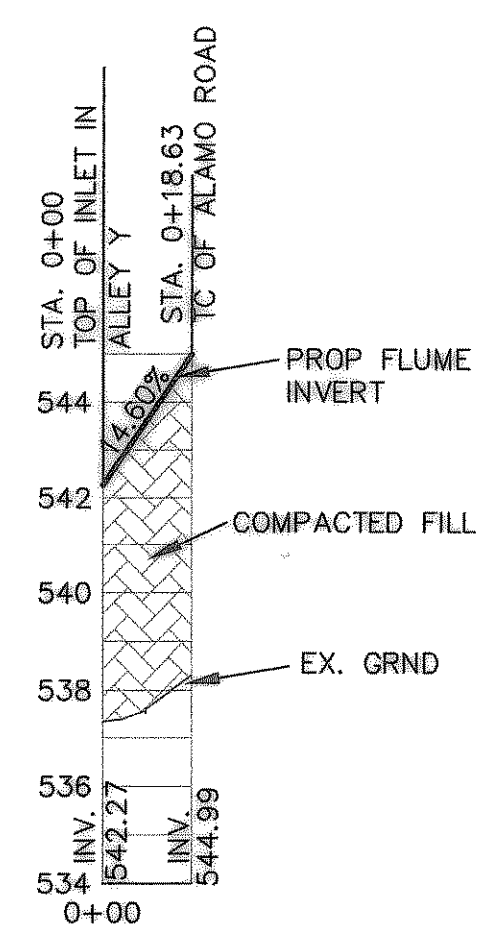


THE SEAL APPEARING ON THIS DOCUMENT WAS AUTHORIZED BY W.L. DOUPHRADE II TEXAS P.E. NO. 80102 ON 11/1/02

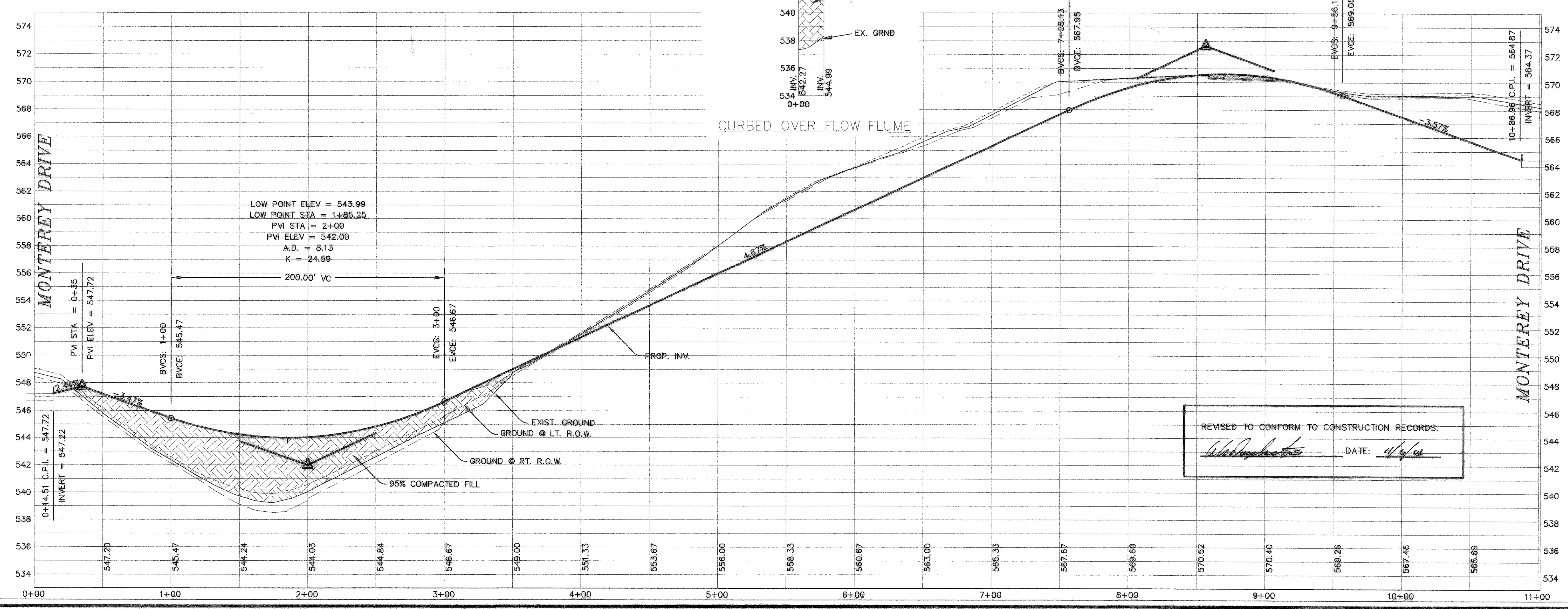
DOUPHRADE & ASSOCIATES, INC.
 ENGINEERING - PROJECT MANAGEMENT - SURVEYING
 2235 RIDGE RD., # 200 ROCKWALL, TEXAS 75087
 PHONE: (972)771-9004 FAX: (972)771-9005



BENCHMARK:
 BRASS CAP MONUMENT NO. 10 SET IN CONCRETE IN THE CENTER OF GRASS MEDIAN IN MASTERS DRIVE BETWEEN NORTH LAKESHORE & SHORES BLVD. N 7032464.6317, E 2589554.1518 ELEV. = 524.62



HIGH POINT ELEV = 570.60
 HIGH POINT STA = 8+69.39
 PVI STA = 8+56.13
 PVI ELEV = 572.62
 A.D. = -8.24
 K = 24.27



REVISED TO CONFORM TO CONSTRUCTION RECORDS.
W.L. Douphrate DATE: 4/4/02

PAVING PLAN & PROFILE
ALLEY Y
 LAKEVIEW SUMMIT, PHASE 2
 CITY OF ROCKWALL, ROCKWALL COUNTY, TEXAS

REVISION
 - REVISIONS PER CITY COMMENTS 2/5/02
 - REVISIONS PER CITY COMMENTS 5/10/02

W.L.D. CHECKED
 K.E.B. DRAWN
 11/01 DATE
 9919-2PV13 PROJECT
 18 OF