

DOUPHRATE & ASSOCIATES, INC.
 ENGINEERING - PROJECT MANAGEMENT - SURVEYING
 2235 RIDGE RD., # 200 ROCKWALL, TEXAS 75087
 PHONE: (972)771-9004 FAX: (972)771-9005

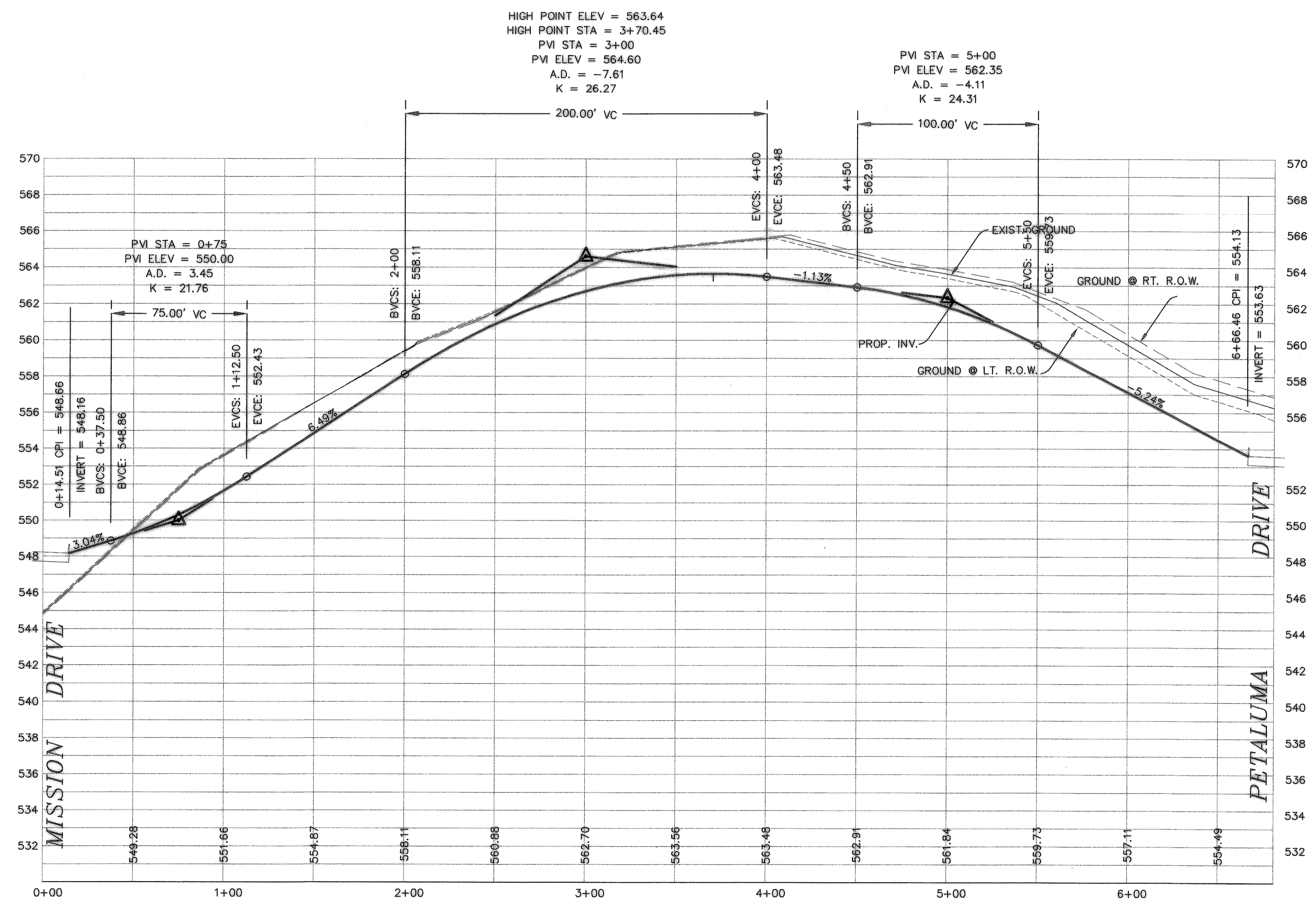
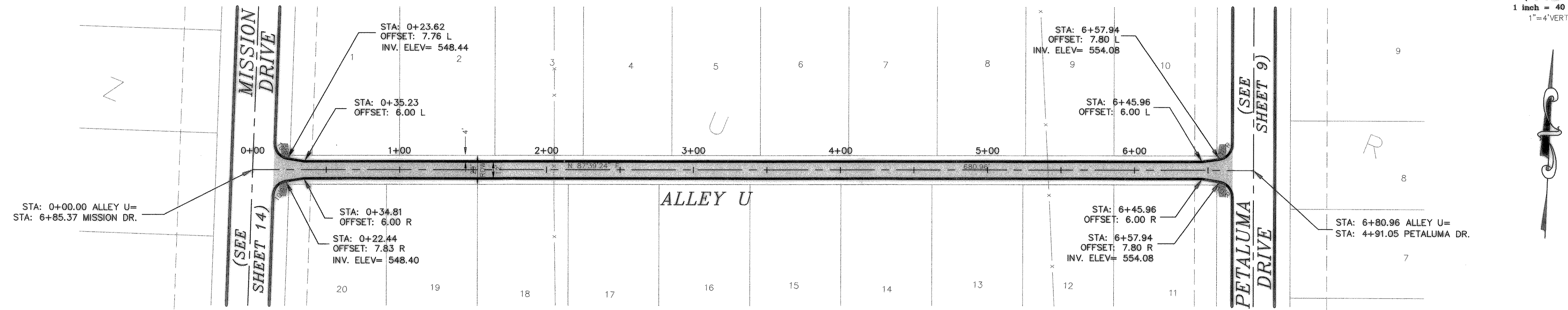
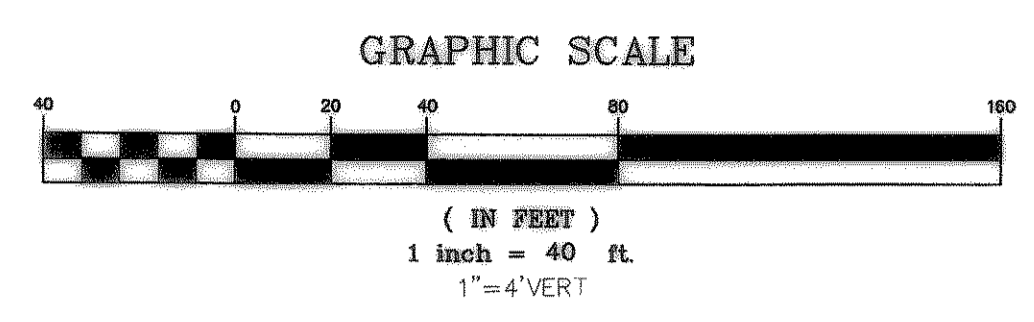
PAVING PLAN & PROFILE
ALLEY U
 LAKEVIEW SUMMIT, PHASE 2
 CITY OF ROCKWALL, ROCKWALL COUNTY, TEXAS

REVISION
 REVISIONS PER CITY
 COMMENTS 2/5/02

W.L.D.
 CHECKED
 K.E.B.
 DRAWN

11/01
 DATE
 9919-2PV11
 PROJECT

16
 OF



BENCHMARK:
 BRASS CAP MONUMENT NO. 10 SET IN
 CONCRETE IN THE CENTER OF GRASS
 MEDIAN IN MASTERS DRIVE BETWEEN
 NORTH LAKESHORE & SHORES BLVD.
 N 7032464.6317, E 2589554.1518
 ELEV. = 524.62

REVISED TO CONFORM TO CONSTRUCTION RECORDS.
W.L. Douphrate DATE: 11/6/02