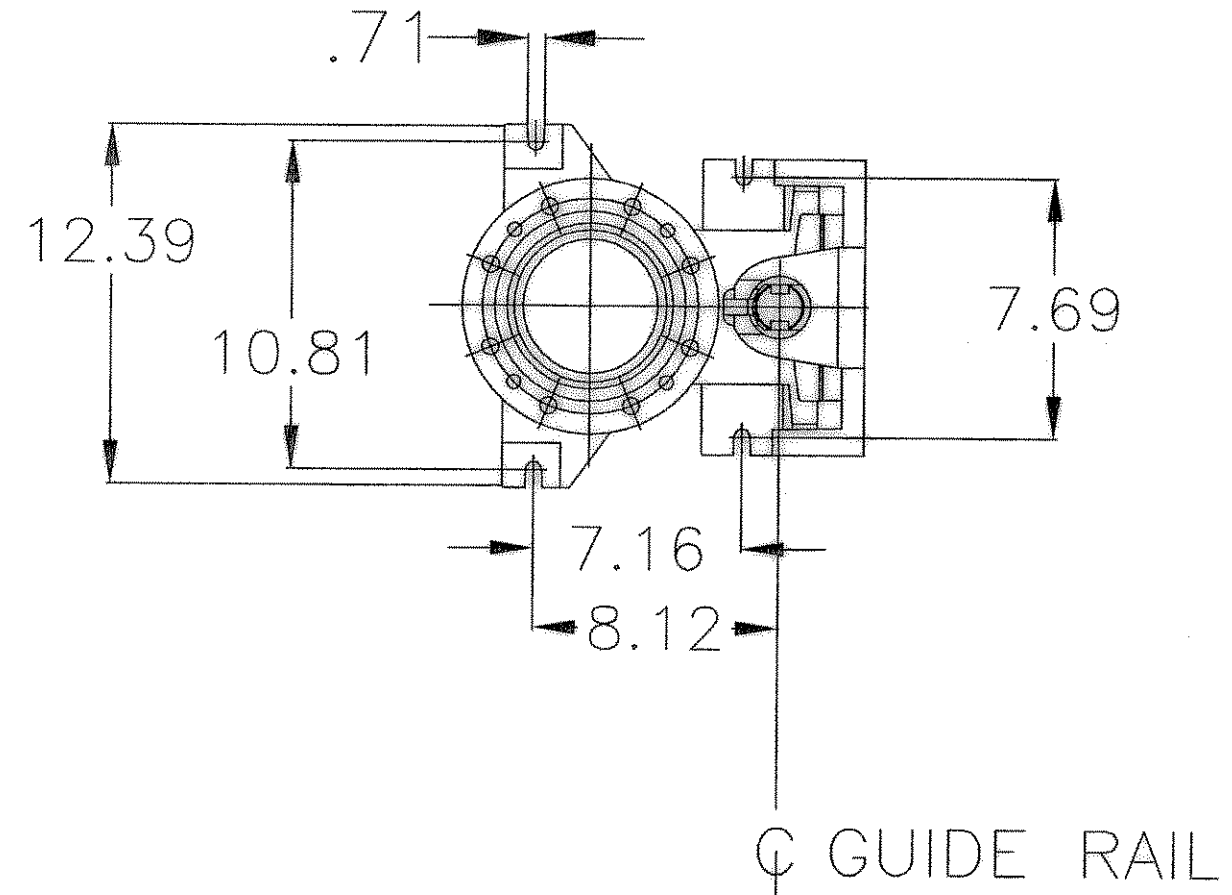
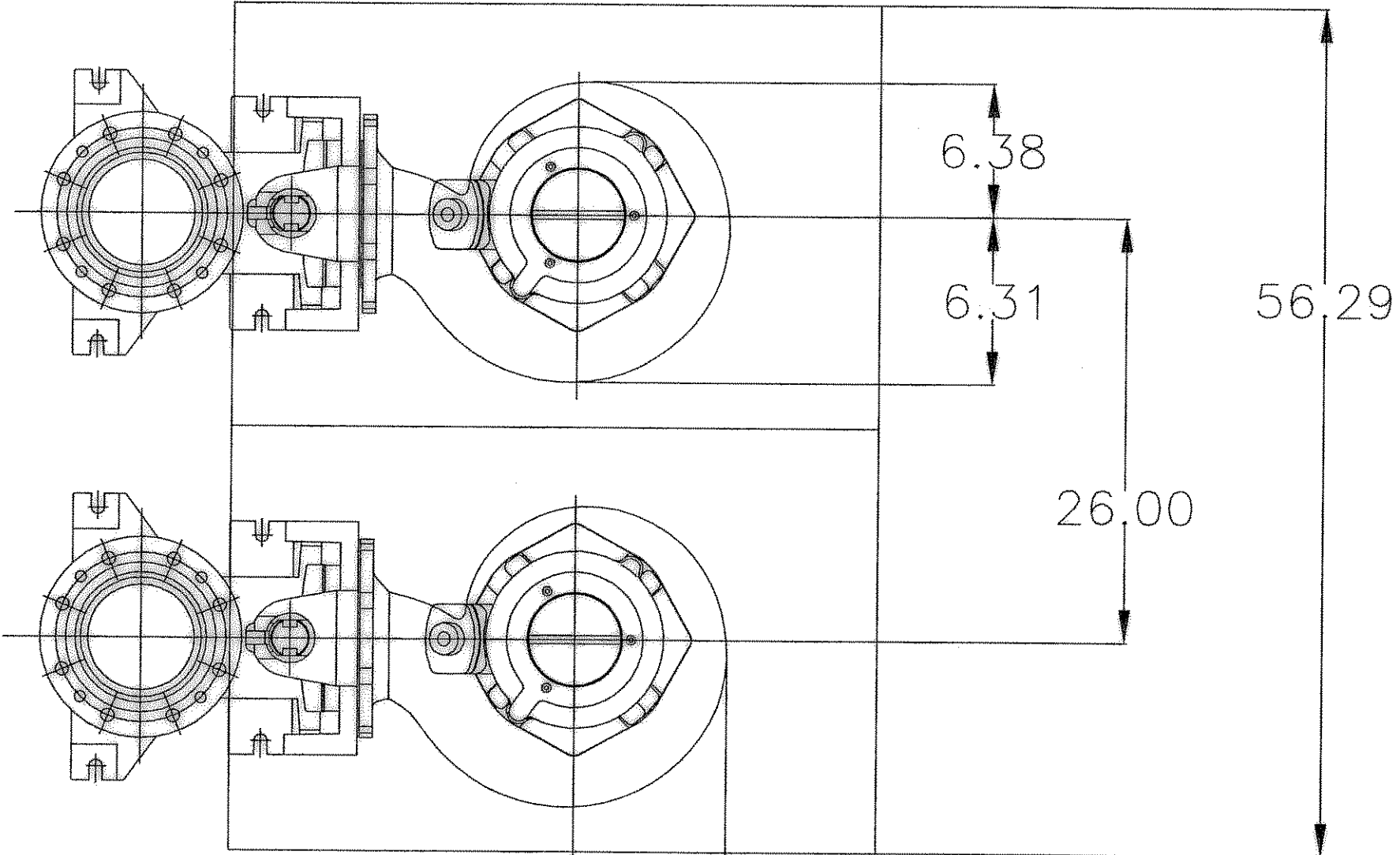
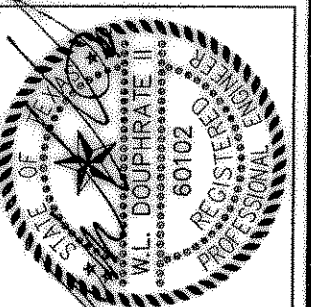
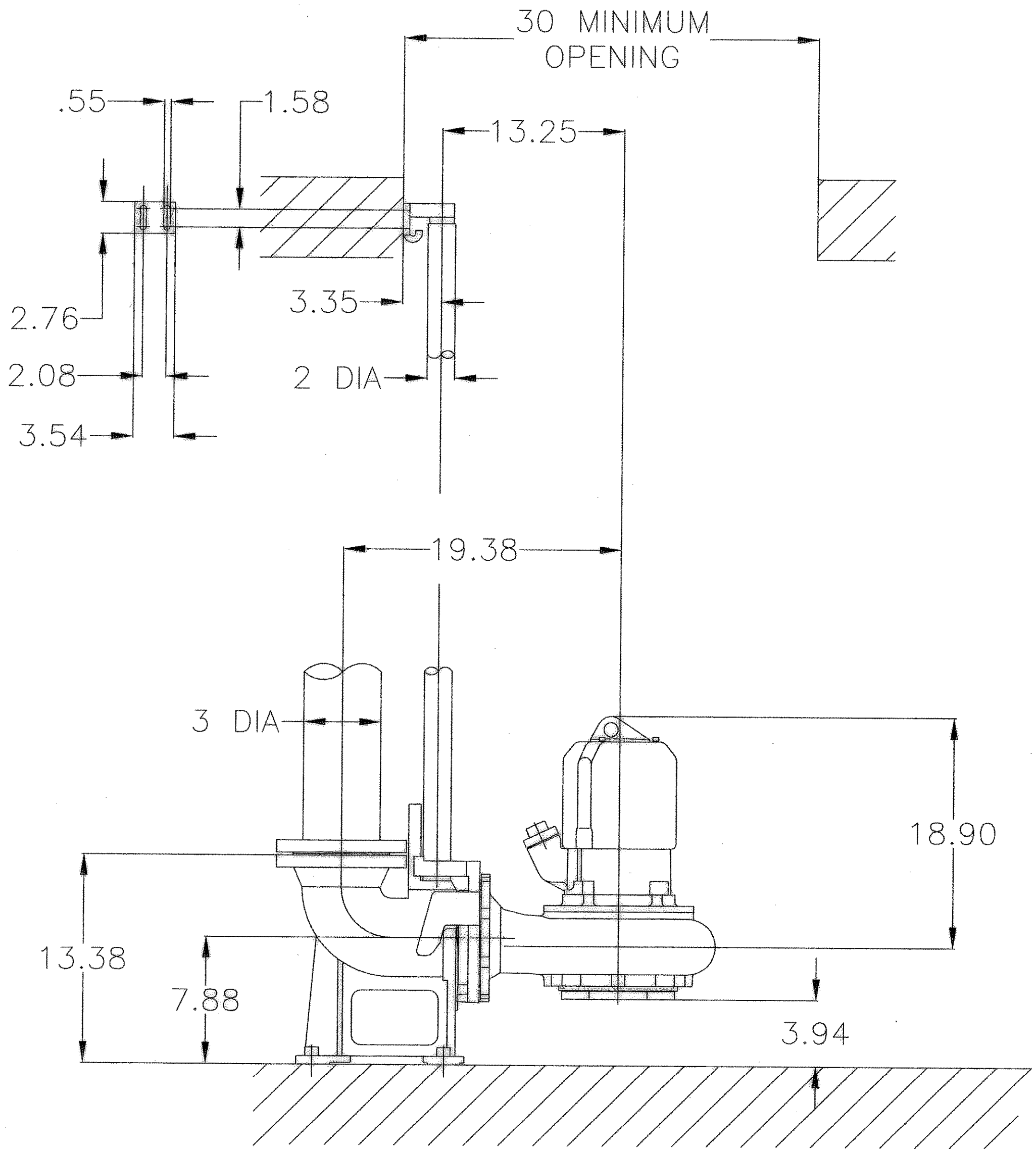


AFP 0831



ANCHOR BOLT LOCATION



THE SEAL APPEARING ON THIS DOCUMENT WAS AUTHORIZED BY THE STATE OF TEXAS PROFESSIONAL ENGINEERING ACT, CHAPTER 901, SECTION 901.02 ON 4/16/01

**DOUPHRATE & ASSOCIATES, INC.**  
 ENGINEERING • PROJECT MANAGEMENT • SURVEYING  
 2231 RIDGE RD., # 200 ROCKWALL, TEXAS 75087  
 PHONE: (972)771-9004 FAX: (972)771-9005

LIFT STATION DIMENSIONAL  
 LAKEVIEW SUMMIT PHASE 1-A  
 CITY OF ROCKWALL  
 ROCKWALL COUNTY TEXAS

**RECORD DRAWINGS:**  
 THE INTENT OF THE OWNER AND ENGINEER WAS TO CONSTRUCT THESE FACILITIES ACCORDING TO THESE PLANS AS APPROVED BY THE CITY OF Rockwall. THE LINES AND GRADES WERE SET ON THE GROUND FOR CONSTRUCTION ACCORDING TO SAID PLANS. THE CITY OF Rockwall INSPECTED THE CONSTRUCTION. THE OWNER NOR ENGINEER DID NOT VERIFY LINES OR GRADES AFTER CONSTRUCTION. WE ARE NOT AWARE OF ANY CHANGES OR REVISIONS TO THESE PLANS DURING CONSTRUCTION EXCEPT AS NOTED 4/16/01.

REVISION	W.L.D.
CHECKED	K.E.B.
DRAWN	2/6/01
DATE	99191-ILS2
PROJECT	8A
	OF