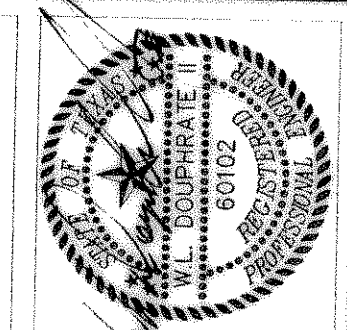
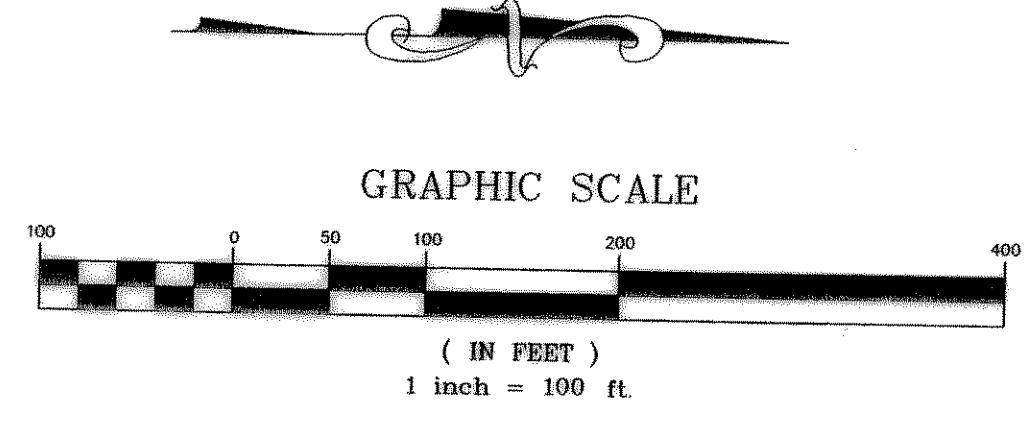


REVISED TO CONFORM TO CONSTRUCTION RECORDS.
[Signature] DATE: 11-5-02



THE SEAL APPEARING ON THIS DRAWING IS AUTHORIZED BY THE BOARD OF ENGINEERING EXAMINERS, STATE OF TEXAS, P.E. NO. 60102 ON 08/02

DOUPHRATE & ASSOCIATES, INC.
 ENGINEERING - PROJECT MANAGEMENT - SURVEYING
 22325 RIDGE RD., # 200 ROCKWALL, TEXAS 75087
 PHONE: (972) 771-9004 FAX: (972) 771-9005

**DRAINAGE AREA MAP
 LAKEVIEW SUMMIT, PHASE 1-A
 CITY OF ROCKWALL
 ROCKWALL COUNTY, TEXAS**

REVISION	
W.L.D. CHECKED	
K.E.B. DRAWN	
8/14/00 DATE	
9919-IADAMI PROJECT	