

VOLTAGE DROP		4%	48,000 AMP	BREAKER	60	THIN	MAX		
ALUMINUM		480	1,500 VOLTS	2000 00 Length		NEC MAX	Branch		
WIRE	RES	LENGTH	AMP	V.D.	V.D. 3PH	1 PH	3 PH	AMP	Breaker
#6	0.3961	2000	48.0	75.9	56.7	56.7	12.15	14.03	65
#4	0.2485	2000	48.0	47.7	41.3	60.5	18.32	22.30	80
#3	0.197	2000	48.0	37.8	32.8	1,015	1,172	24.37	100
#2	0.1563	2000	48.0	30.0	28.0	1,280	30.71	38.46	115
#1	0.1239	2000	48.0	23.8	20.6	1,814	38.74	44.74	130
1/0	0.09827	2000	48.0	18.9	16.3	2,350	48.85	58.40	150

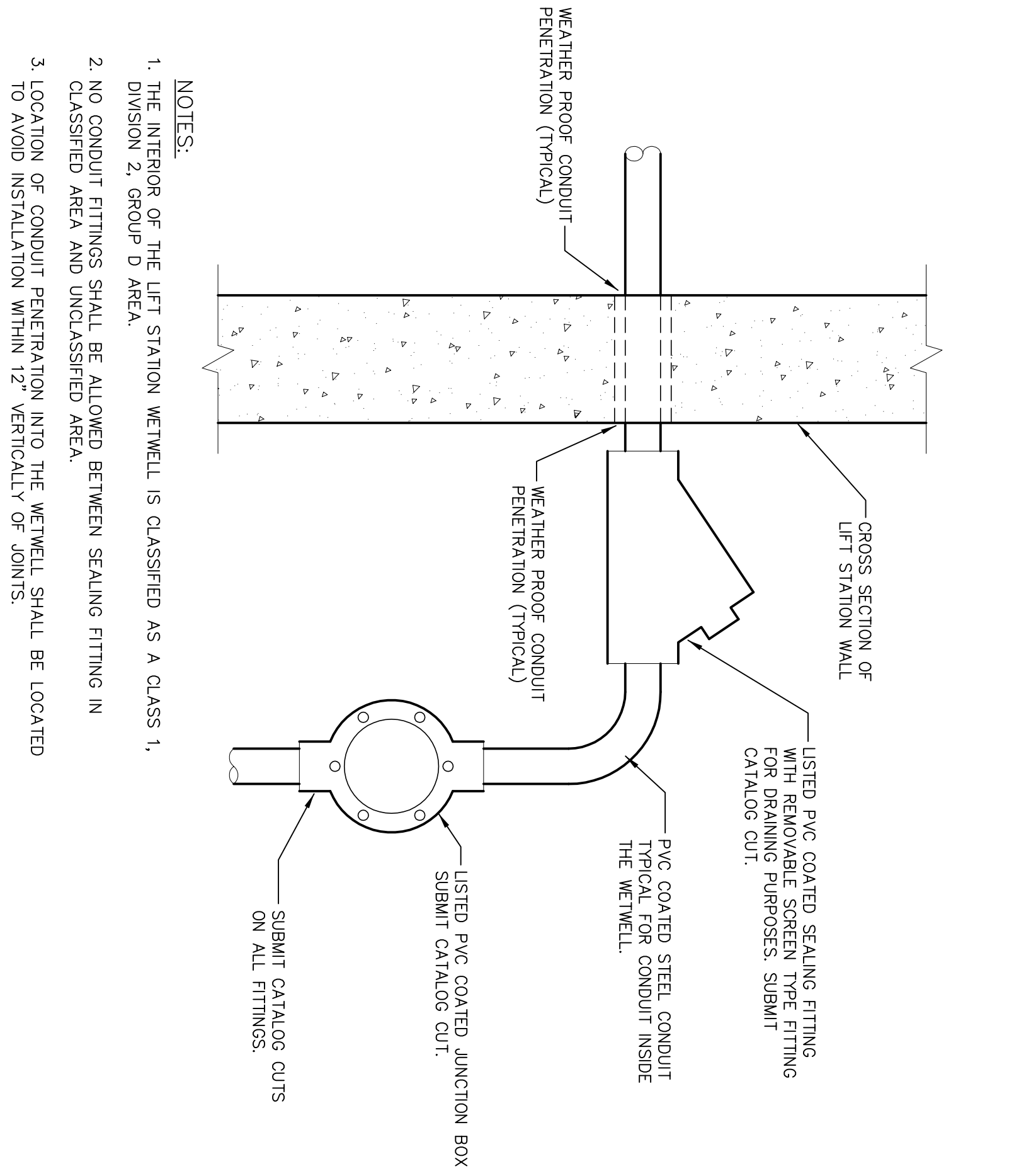
1 VOLTAGE DROP

NO SCALE

Fault Current Calculations		Initial Fault Current		0	
First Element	Transformer	300	23,000	0.0000	
	Source Line-Line Voltage	23,000		0.0115	
	Load Line-Line Voltage	480			
	Impedance (%)	1.50		24,056	28,352
	AIC	24,056			
	Source	23,000			
	Load	480			
	Phase	3			
	Impedance	2			
	KVA	300			
	AIC	1,295			
	at service entrance	1,295			
		Conductor	1/0		
		Length	1,500		
		Phase	3		
		Cond/Phase	1		
		Cable	NON-Magnetic conduit		
		Conduit	1 1/2		
		Length	1,500		
		Phase	3		
		Cond/Phase	1		
		Cable	NON-Magnetic conduit		

2 FAULT CURRENT

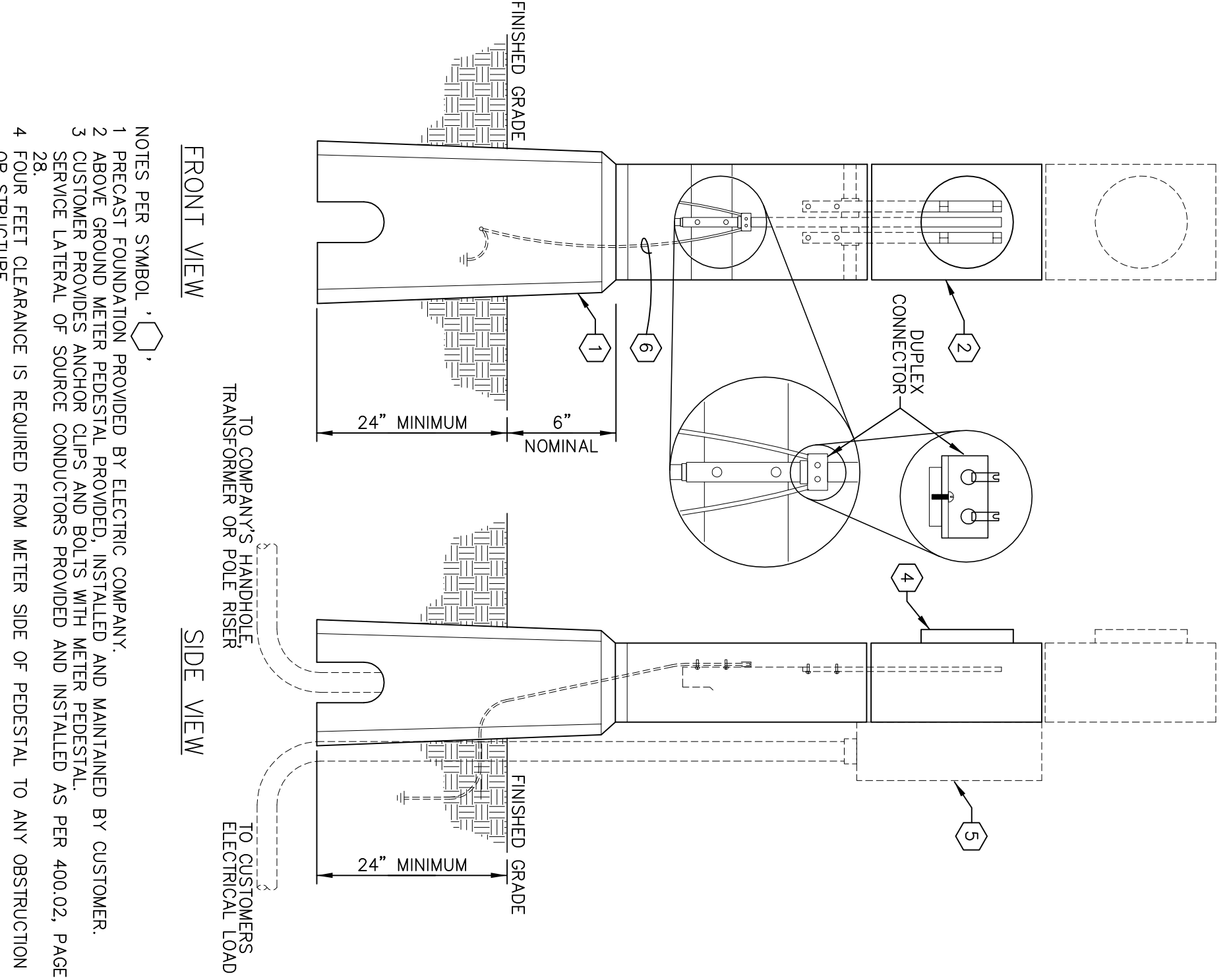
NO SCALE



- NOTES:
1. THE INTERIOR OF THE LIFT STATION WELLS IS CLASSIFIED AS A CLASS 1, DIVISION 2, GROUP D AREA.
 2. NO CONDUIT FITTINGS SHALL BE ALLOWED BETWEEN SEALING FITTING IN CLASSIFIED AREA AND UNCLASSIFIED AREA.
 3. LOCATION OF CONDUIT PENETRATION INTO THE WELLS SHALL BE LOCATED TO AVOID INSTALLATION WITHIN 12" VERTICALLY OF JOINTS.

3 CONDUIT PENETRATION DETAIL

NO SCALE

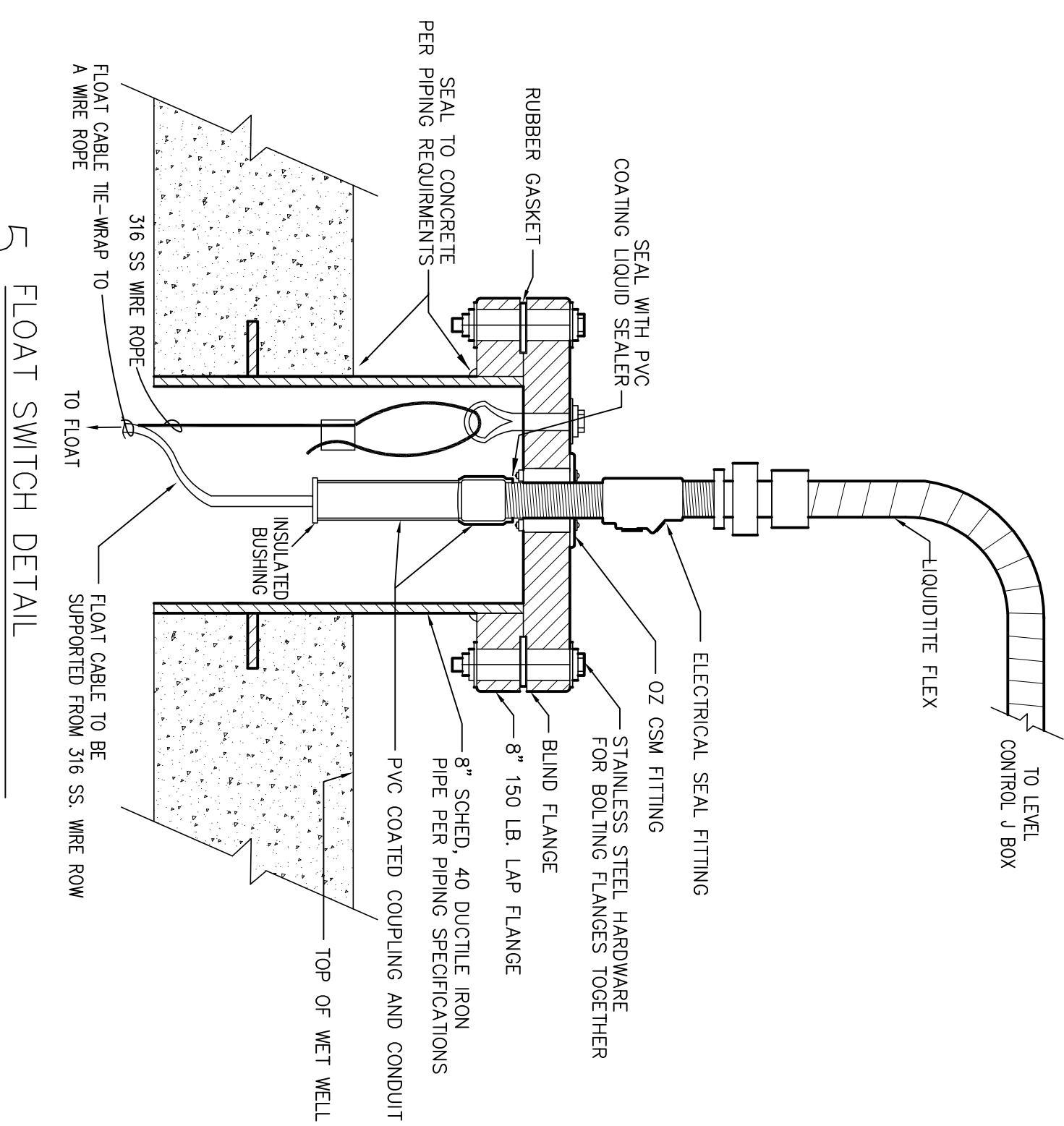


- NOTES PER SYMBOL:
1. PRECAST FOUNDATION PROVIDED BY ELECTRIC COMPANY.
 2. ABOVE GROUND METER PEDESTAL PROVIDED, INSTALLED AND MAINTAINED BY CUSTOMER.
 3. CUSTOMER PROVIDES ANCHOR BOLTS AND BOLTS WITH METER PEDESTAL.
 4. FOUR FEET CLEARANCE IS REQUIRED FROM METER SIDE OF PEDESTAL TO ANY OBSTRUCTION OR STRUCTURE.
 5. CUSTOMER SERVICE EQUIPMENT MAY BE INSTALLED ON METER PEDESTAL IN ACCORDANCE WITH ALL APPLICABLE CODES.
 6. CUSTOMER SHALL CONNECT SURROUNDING ELECTROME CONDUCTORS TO DUPLEX CONNECTOR ON METER PEDESTAL. CUSTOMER SHALL PROVIDE A GROUNDING CONDUCTOR TO AN APPROVED GROUNDING ELECTRODE COMPANY RESERVES THE RIGHT TO REMOVE SERVICE CONTINGENT UPON OBSERVING AN UNSAFE CUSTOMER CONNECTION.
 7. ALTERNATE DESIGN - CUSTOMER SHALL OBTAIN COMPANY APPROVAL OF ANY ALTERNATE DESIGN PRIOR TO INSTALLATION.

4 UNDERGROUND SERVICE METER PEDESTAL DETAIL

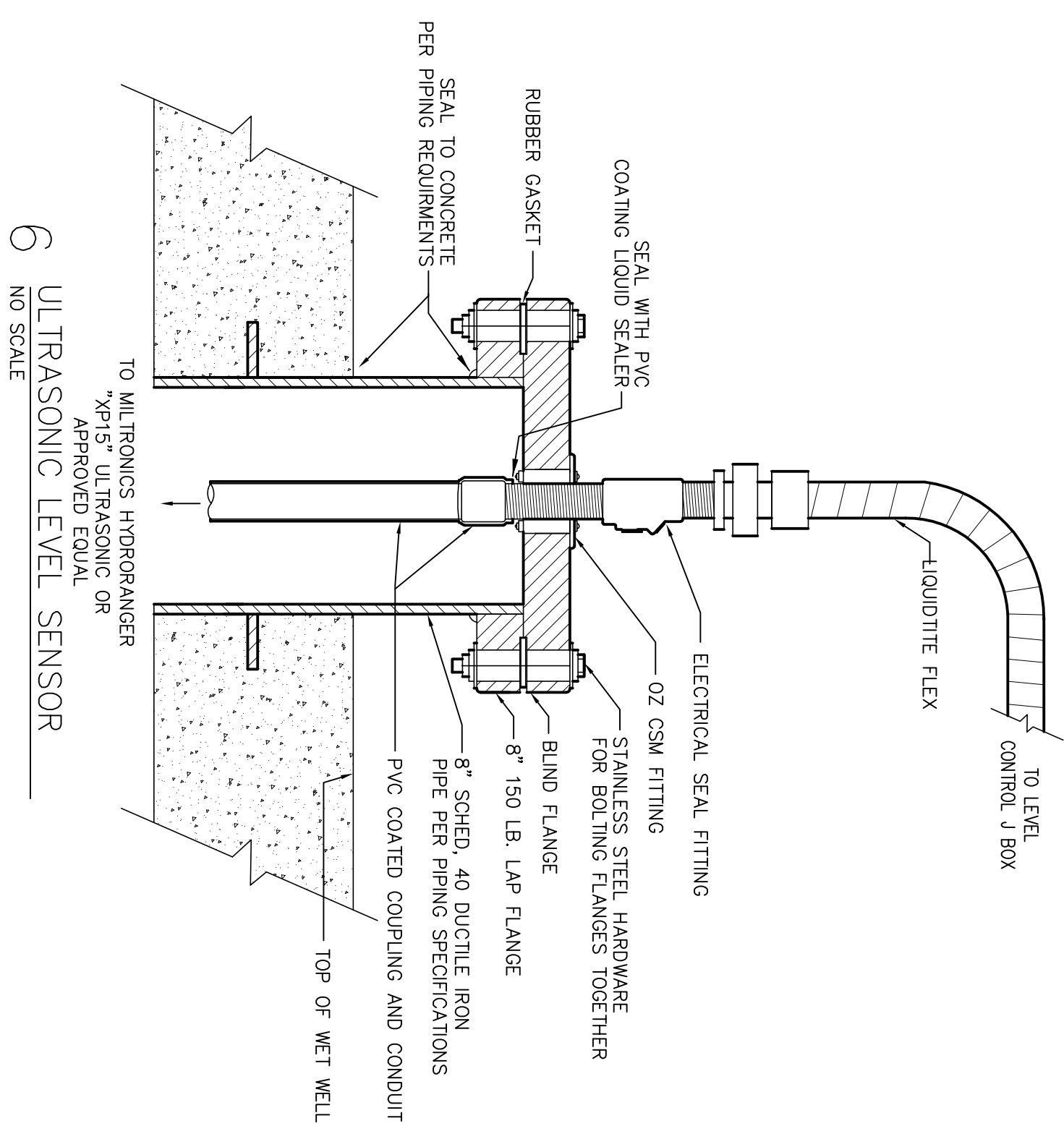
NO SCALE

DETAIL PROVIDED PER ONCOR ELECTRICAL SERVICE COMPANY STANDARDS 2012 (FIG. 4-F)



5 FLOAT SWITCH DETAIL

NO SCALE



6 ULTRASONIC LEVEL SENSOR

NO SCALE