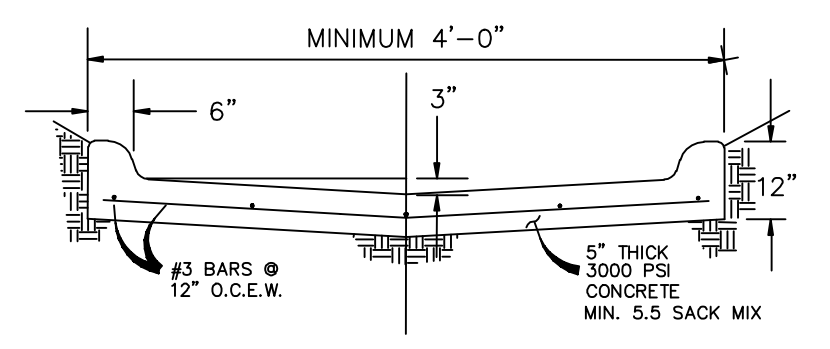
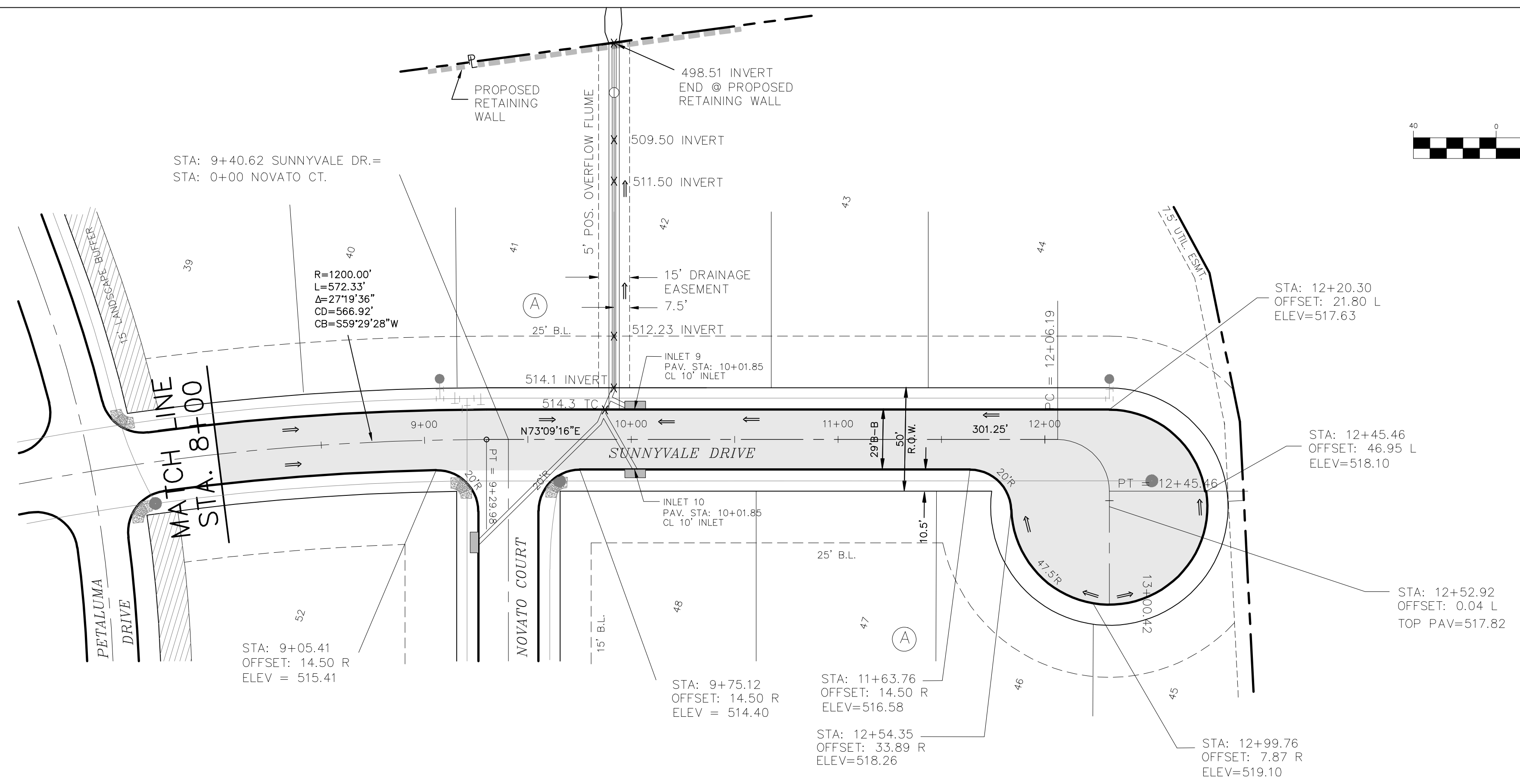
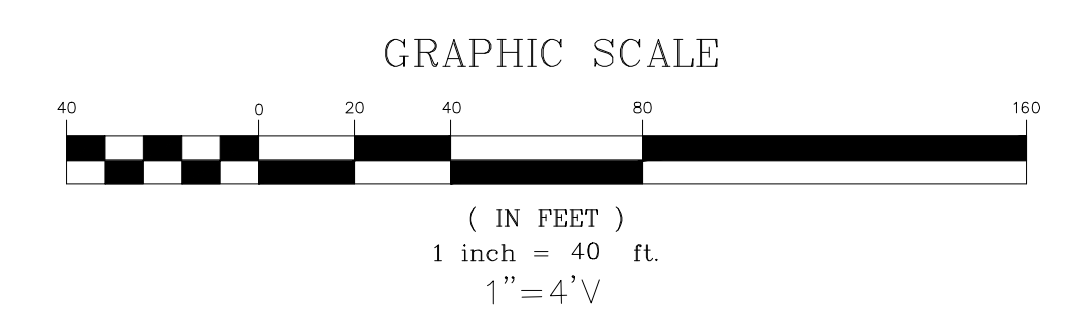


THE SEAL APPEARING ON THIS DOCUMENT WAS AUTHORIZED BY W.L. DOUPHRATE II, TEXAS P.E., NO. 60102, F-496, CV, DATE: 01/3/2014

DOUPHRATE & ASSOCIATES, INC.
 ENGINEERING • PROJECT MANAGEMENT • SURVEYING
 2235 RIDGE RD., # 200 ROCKWALL, TEXAS 75087
 PHONE: (972)771-9004 FAX: (972)771-9005

PAVING PLAN & PROFILE
SUNNYVALE DRIVE
 LAKEVIEW SUMMIT, PHASE 4
 CITY OF ROCKWALL, ROCKWALL COUNTY, TEXAS

REVISION
SAH CHECKED
DLB. DRAWN
10/14 DATE
9919-4PV9 PROJECT
8.8 OF



CURBED OVER FLOW FLUME

REVISED TO CONFORM TO CONSTRUCTION RECORDS.
[Signature] DATE: 12-1-16

BENCHMARKS:
 BRASS CAP MONUMENT NO. 10 SET IN CONCRETE IN THE CENTER OF GRASS MEDIAN IN MASTERS DRIVE BETWEEN NORTH LAKESHORE & SHORES BLVD.
 N 7032464.6317, E 2589554.1518
 ELEV. = 524.62

