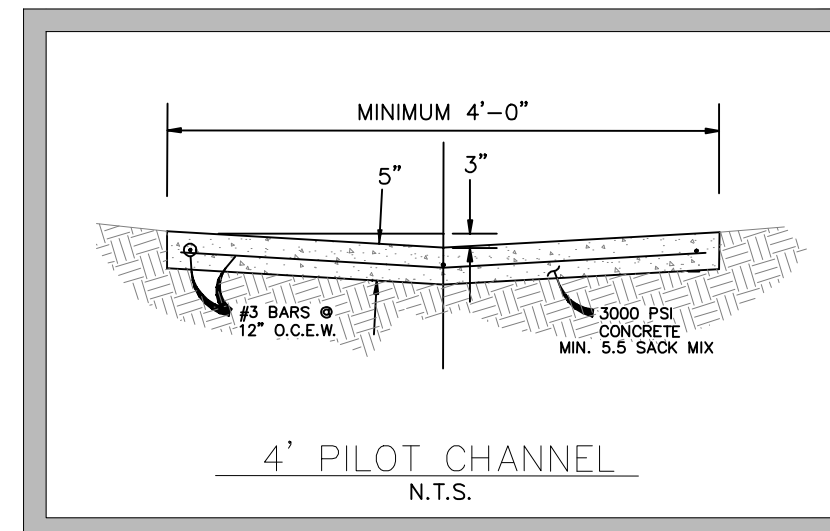
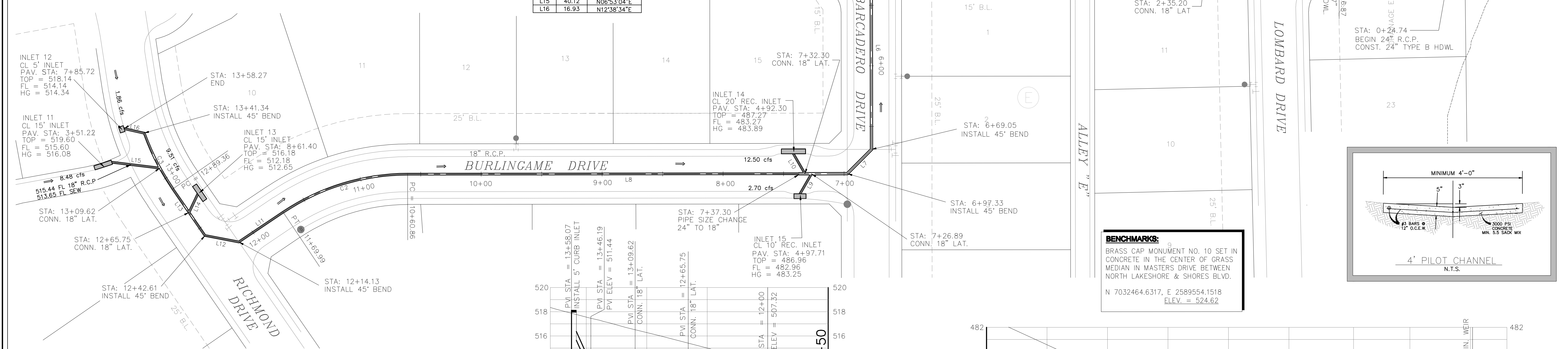


From	To	Length	Box Height	Width	DESIGN Q100	Pipe Size (in)	CAP Q100	FULL V	PARTIAL V	PARTIAL FLOW %	Flow CHT. No.	Kj	Flow R(R)	Flow R(2/3)	Flow Area	FULL S	DESIGN HGL	HGL Rise	HGL Number	
STM-C	240.20	142	98.20		43.55	27	59.89	10.95	11.72	0.73	1.07		0.5625	0.6814	3.9781	0.0198	0.0374	1.9418	466.52	
Junction Loss	483.98	240.20	253.48		38.06	PSC							0.5000	0.6300	3.1416	0.0240	0.0362	0.9947	476.95	
Junction Loss	521.98	493.68	28.30		35.05	HPI	24	31.91	11.16	1.00	1.00		0.5000	0.6300	3.1416	0.0240	0.0199	0.9793	477.19	
Junction Loss	669.05	521.98	147.07		35.05	HPI	24	31.91	11.16	1.10	1.00		0.5000	0.6300	3.1416	0.0240	0.0199	3.5304	481.89	
Junction Loss	697.33	669.05	28.28		35.05	HPI	24	31.91	11.16	1.10	1.04		0.5000	0.6300	3.1416	0.0240	0.0199	0.9964	482.66	
Junction Loss	726.89	697.33	29.56		35.05	HPI	24	31.91	11.16	1.10	1.03		0.5000	0.6300	3.1416	0.0240	0.0199	0.7096	484.30	
Junction Loss	737.30	726.89	10.41		32.35	PSC	24	31.91	10.30	1.01	1.03		0.5000	0.6300	3.1416	0.0204	0.0199	0.2129	485.90	
Junction Loss	1214.13	737.30	476.83		19.85	18	24.75	11.23	11.57	0.80	1.03		0.3750	0.5200	1.7671	0.0357	0.0567	17.0273	503.24	
Junction Loss	1242.91	1214.13	28.48		19.85	18	17.84	11.23	12.69	1.13	1.13		0.3750	0.5200	1.7671	0.0357	0.0282	0.9796	504.22	
Junction Loss	1285.75	1242.91	23.14		19.85	18	17.84	11.23	12.69	1.13	1.13		0.3750	0.5200	1.7671	0.0357	0.0282	0.8263	506.22	
Junction Loss	1309.62	1285.75	43.67		10.34	18	17.84	5.85	6.09	0.99	1.04		0.3750	0.5200	1.7671	0.0097	0.0282	-0.4486	506.60	
Junction Loss	1341.34	1309.62	31.72		1.86	HPI	18	17.84	1.05	0.72	0.11	0.88	0.5000	0.3750	0.5200	1.7671	0.0003	0.0282	0.0096	506.78
Junction Loss	1358.27	1341.34	16.93		1.86	HPI	18	49.87	1.05	0.58	0.04	0.85	0.5000	0.3750	0.5200	1.7671	0.0003	0.2238	0.0053	506.86

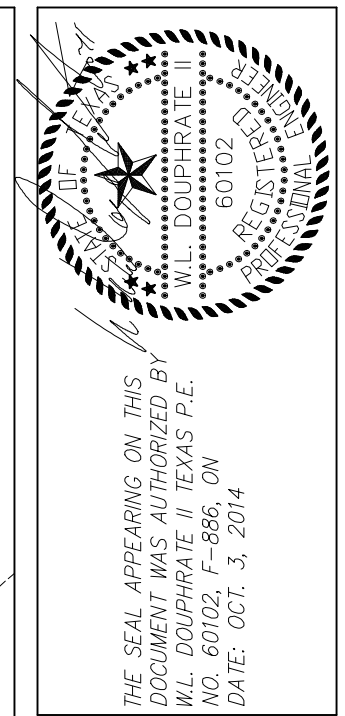
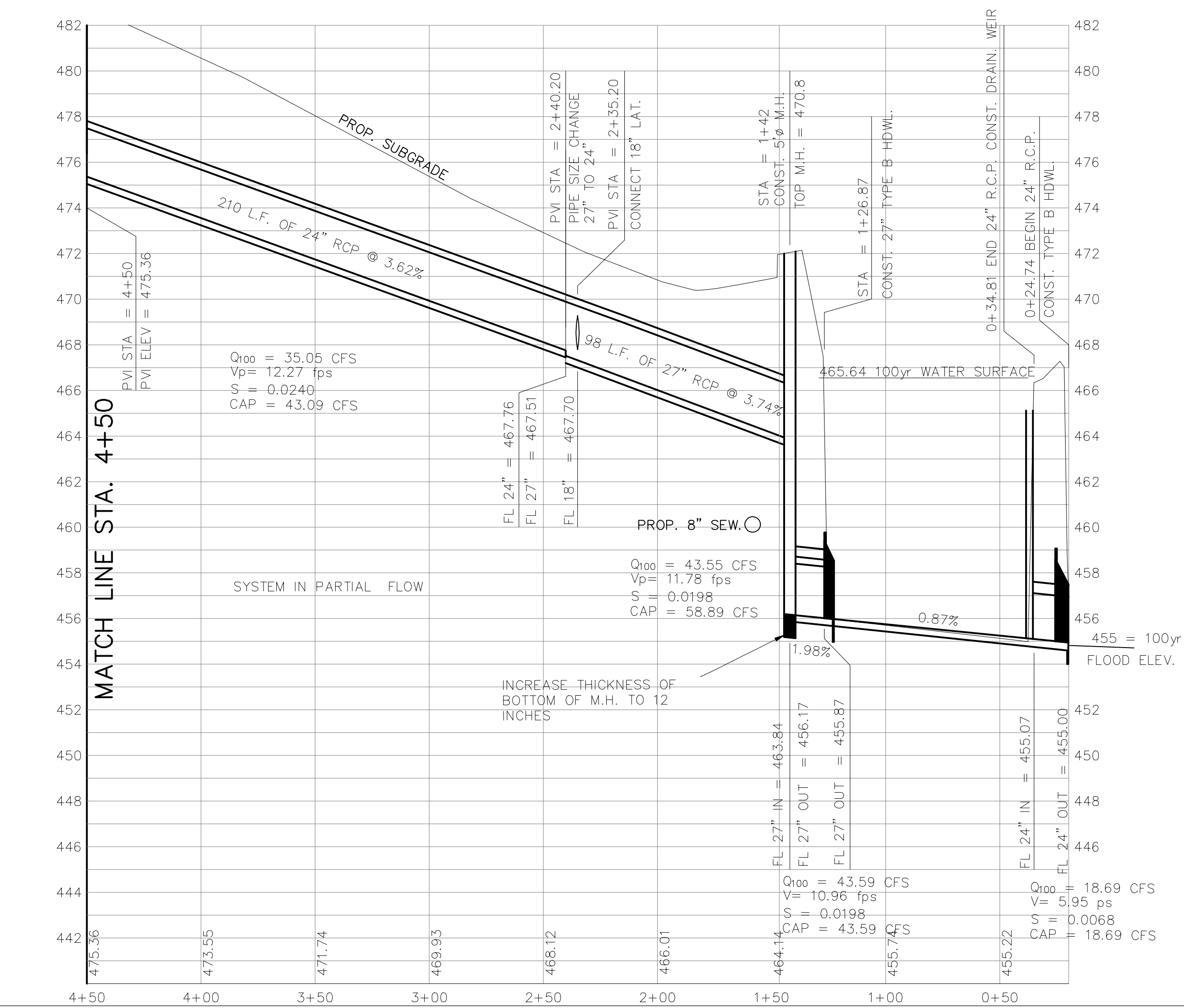
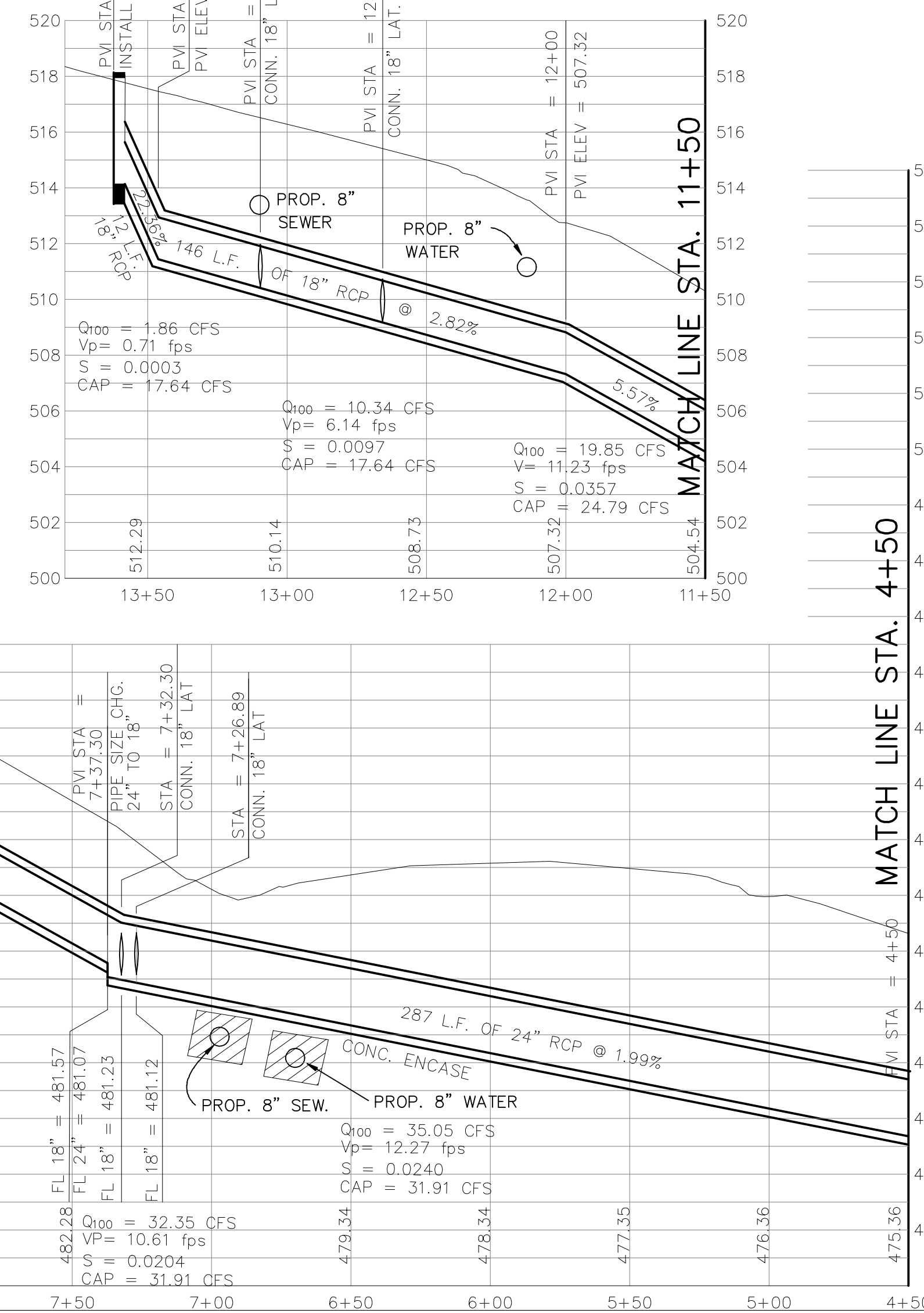
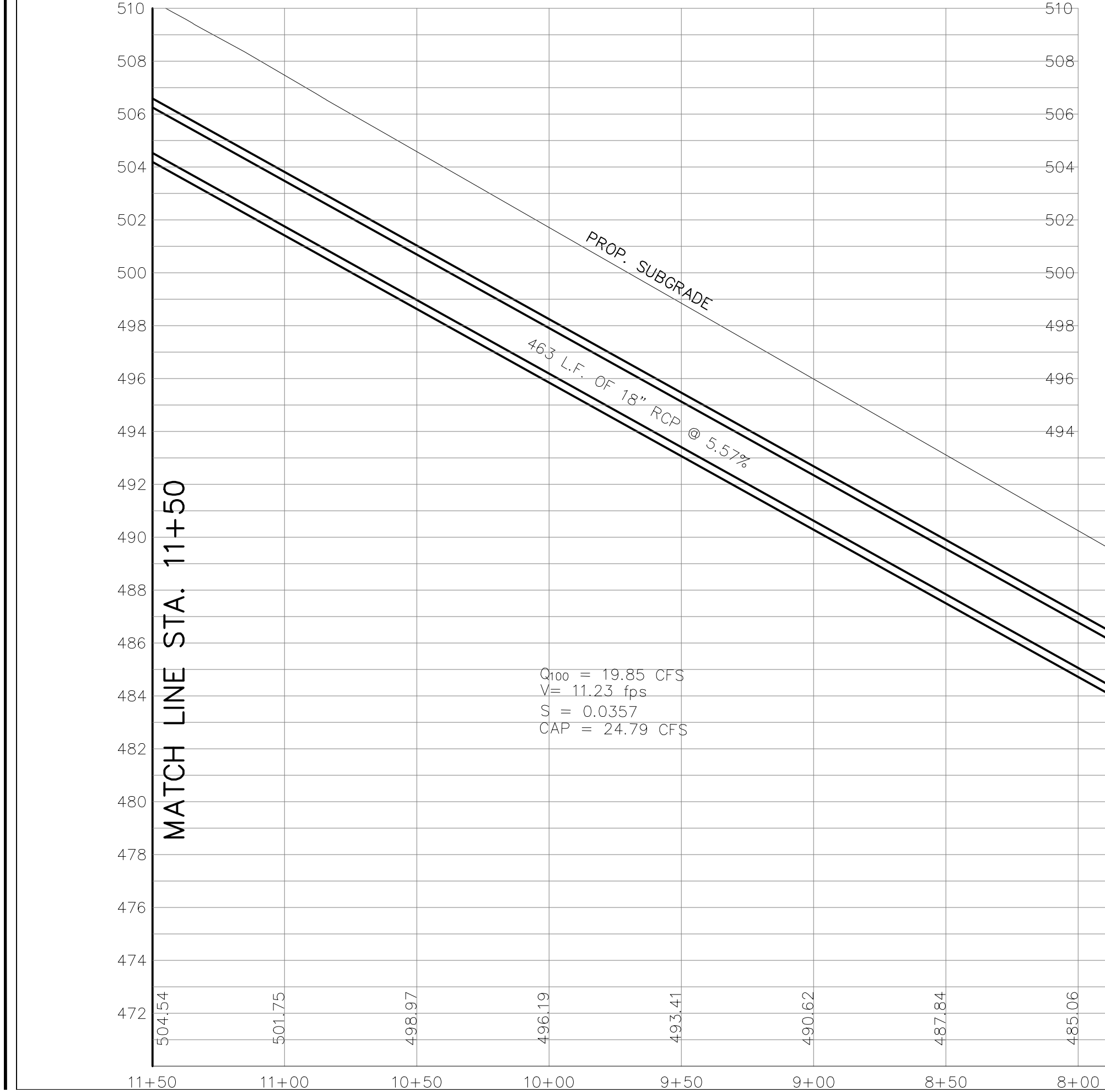
REVISED TO CONFORM TO CONSTRUCTION RECORDS.  
 DATE: 12-1-16

CURVE	LENGTH	RADIUS	DELTA	CD	CB
C1	16.08	50.00	18°25'27"	16.01	N09°12'46"W
C2	109.14	185.00	33°48'03"	107.56	S16°57'39"E
C3	51.98	200.00	14°53'25"	51.83	N62°46'17"E

LINE	LENGTH	BEARING
L1	38.31	S00°39'46"E
L2	65.02	S18°25'29"E
L3	374.27	S00°00'03"E
L4	28.30	S45°01'46"E
L5	16.71	N59°59'57"E
L6	147.07	N89°56'30"E
L7	28.28	S45°03'34"E
L8	363.52	S00°03'37"E
L9	19.05	N60°03'37"W
L10	19.05	N59°56'23"E
L11	44.13	S33°51'41"E
L12	28.48	S10°43'57"W
L13	46.75	S55°19'35"W
L14	16.74	S64°40'25"E
L15	40.12	N06°53'04"E
L16	16.93	N12°38'34"E



**BENCHMARKS:**  
 BRASS CAP MONUMENT NO. 10 SET IN CONCRETE IN THE CENTER OF GRASS MEDIAN IN MASTERS DRIVE BETWEEN NORTH LAKESHORE & SHORES BLVD.  
 N 7032464.6317, E 2589554.1518  
 ELEV. = 524.62



**DOUPBRATE & ASSOCIATES, INC.**  
 ENGINEERING • PROJECT MANAGEMENT • SURVEYING  
 2285 RIDGE RD., # 200 ROCKWALL, TEXAS 75087  
 PHONE: (972)771-9004 FAX: (972)771-9005

**STORM SEWER PLAN & PROFILE**  
 LINE C  
 LAKEVIEW SUMMIT, PHASE IV  
 CITY OF ROCKWALL, ROCKWALL COUNTY, TEXAS

REVISION	DATE	PROJECT
WLD.	10/14	9919-4STM-3
K.E.B.		
112		