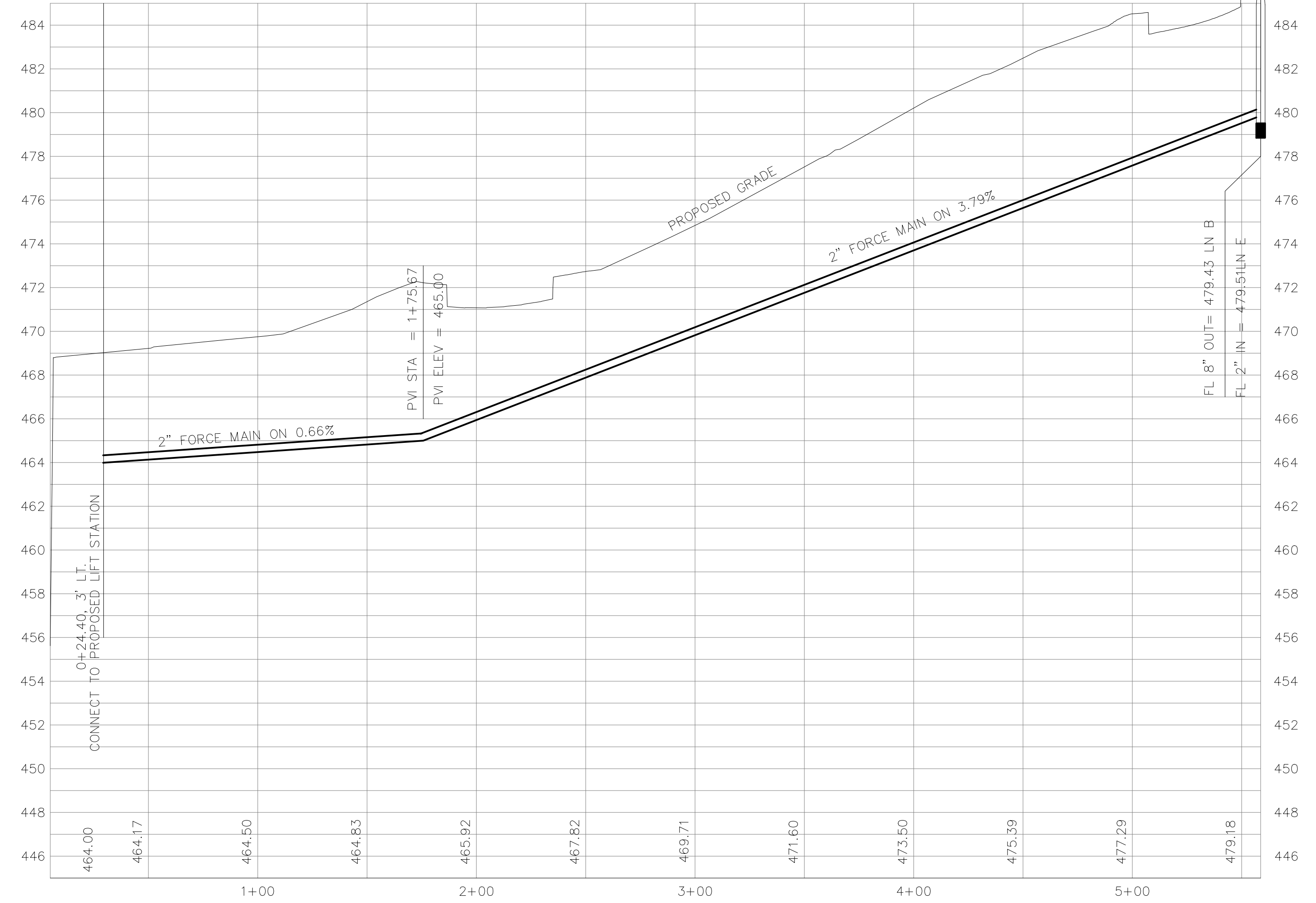


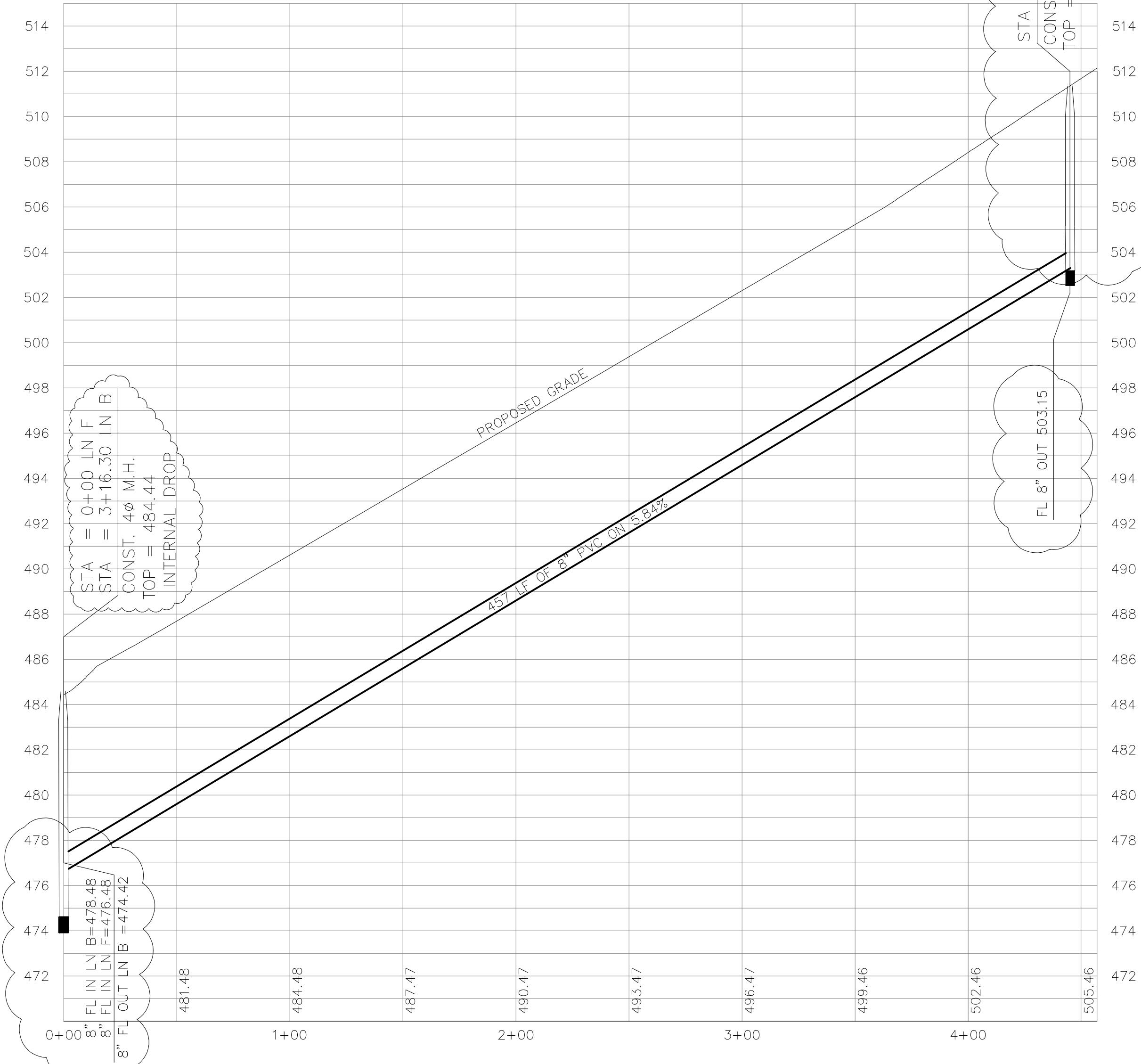
STA = 5+57.01 LN E  
 STA = 5+52.81 LN B  
 CONST. 4ø M.H.  
 TOP 486.18

SANITARY SEWER LINE E FORCE MAIN



STA = 0+00 LN F  
 STA = 3+16.30 LN B  
 CONST. 4ø M.H.  
 TOP = 484.44  
 INTERNAL DROP

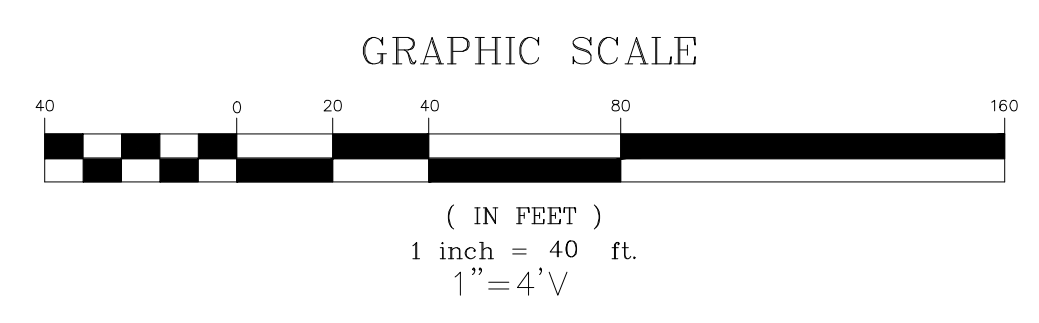
SANITARY SEWER LINE F



STA = 4+44.88  
 CONST. 4ø M.H.  
 TOP = 511.40

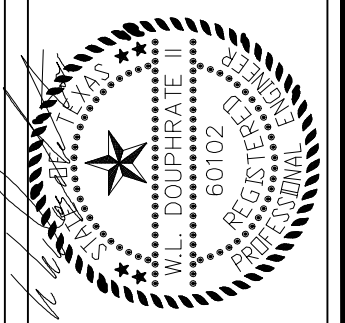
**BENCHMARKS:**  
 BRASS CAP MONUMENT NO. 10 SET IN CONCRETE IN THE CENTER OF GRASS MEDIAN IN MASTERS DRIVE BETWEEN NORTH LAKESHORE & SHORES BLVD.  
 N 7032464.6317, E 2589554.1518  
 ELEV. = 524.62

REVISED TO CONFORM TO CONSTRUCTION RECORDS.  
 DATE: 12-1-16



NOTE:  
 PROPOSED GRADE LINE AT PAVEMENT CROSSINGS DEPICTS PAVING SUBGRADE.

REVISIONS:  
 1. 9-23-15 SHORTENED LINE F 12.17' MH STA 4+57.05 CHANGED TO STA 4+44.88  
 CHANGED RIM ELEV TO 511.6  
 CHANGED FL ELEV OUT TO 505.15  
 2. 9-24-15 REVISED TOP ELEVATIONS  
 3. 10-26-15 LOWERED LINE F 2 FT



THE SEAL APPEARING ON THIS DOCUMENT WAS AUTHORIZED BY W.L. DOUPHRATE II, LICENSE NO. 60102, STATE OF TEXAS, DATE: OCT 3, 2014

**DOUPHRATE & ASSOCIATES, INC.**  
 ENGINEERING • PROJECT MANAGEMENT • SURVEYING  
 2235 RIDGE RD., # 200 ROCKWALL, TEXAS 75087  
 PHONE: (972)771-9004 FAX: (972)771-9005

SANITARY SEWER PROFILE  
 LINE E - LINE F  
 LAKEVIEW SUMMIT, PHASE 4  
 CITY OF ROCKWALL, ROCKWALL COUNTY, TEXAS

REVISION
W.L.D. CHECKED
K.E.B. DRAWN
10/14 DATE
9919-4SS3 PROJECT
10.3 OF