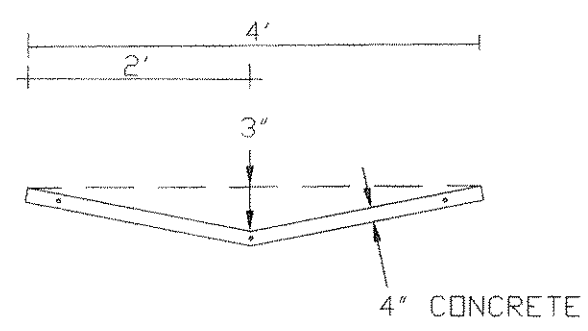


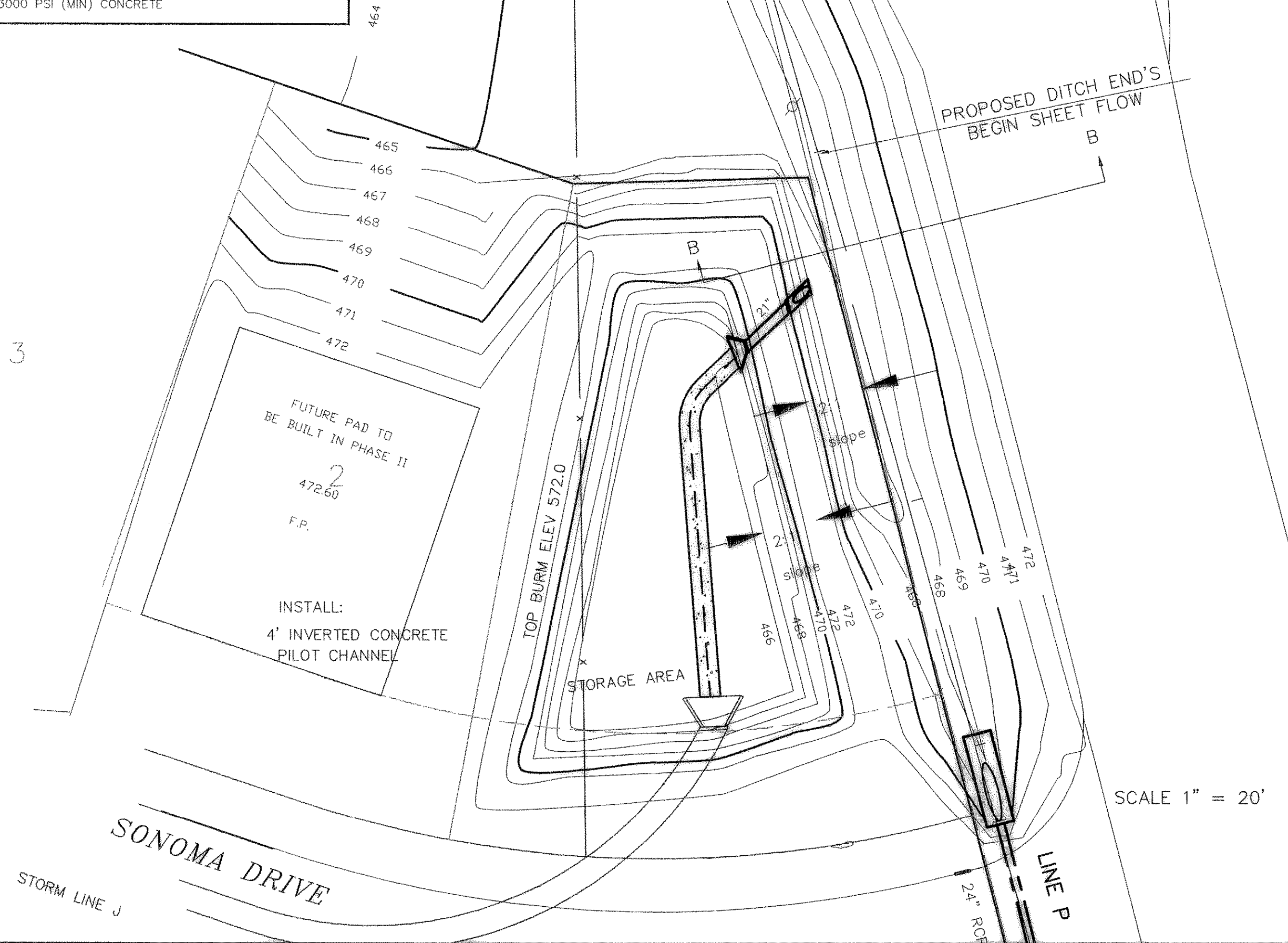
PILOT CHANNEL DETAIL



#3 BARS @ 18" CENTER EW
IN CENTER OF CONCRETE
3000 PSI (MIN) CONCRETE

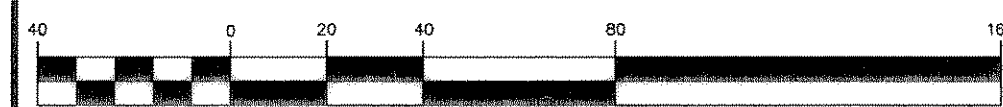
100 YR. W.S. = 464.21

3



SCALE 1" = 20'

GRAPHIC SCALE

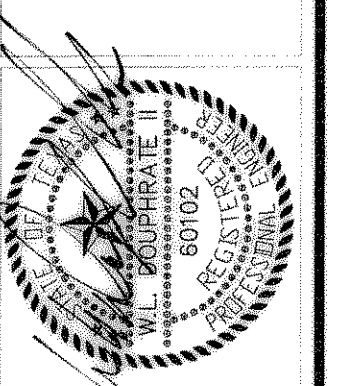


(IN FEET)
1 inch = 40 ft.
1"=4' VERT

LINE TABLE

LINE	LENGTH	BEARING
	100.08	N 3°36'6" E
L2	29.51	N 45°49'18" E
L3	290.12	N 16°8'42" W

Discharge	Minimum		Maximum		Increment
	0.00	40.00	40.00	2.00 cfs	
0.00	1.60	1.60	0.00	0.00	
2.00	466.75	466.66	3.53	0.47	
4.00	467.09	466.97	4.30	0.67	
6.00	467.38	467.23	4.81	0.84	
8.00	467.60	467.46	5.18	0.99	
10.00	467.63	467.59	5.47	1.13	
12.00	468.03	467.91	5.84	1.24	
14.00	468.22	468.14	6.22	1.35	
16.00	468.42	468.37	6.60	1.44	
18.00	468.64	468.64	6.99	1.53	
20.00	468.95	468.95	7.40	1.61	
22.00	469.29	469.29	7.83	1.69	
24.00	469.66	469.66	8.28	1.74	
26.00	470.06	470.06	8.76	1.79	
28.00	470.50	470.50	9.30	1.83	
30.00	470.96	470.96	9.84	1.86	
32.00	471.46	471.46	10.41	1.89	
34.00	472.00	472.00	10.99	1.91	
36.00	472.58	472.58	11.59	1.93	
38.00	473.16	473.16	12.20	1.94	
40.00	473.79	473.79	12.81	1.95	



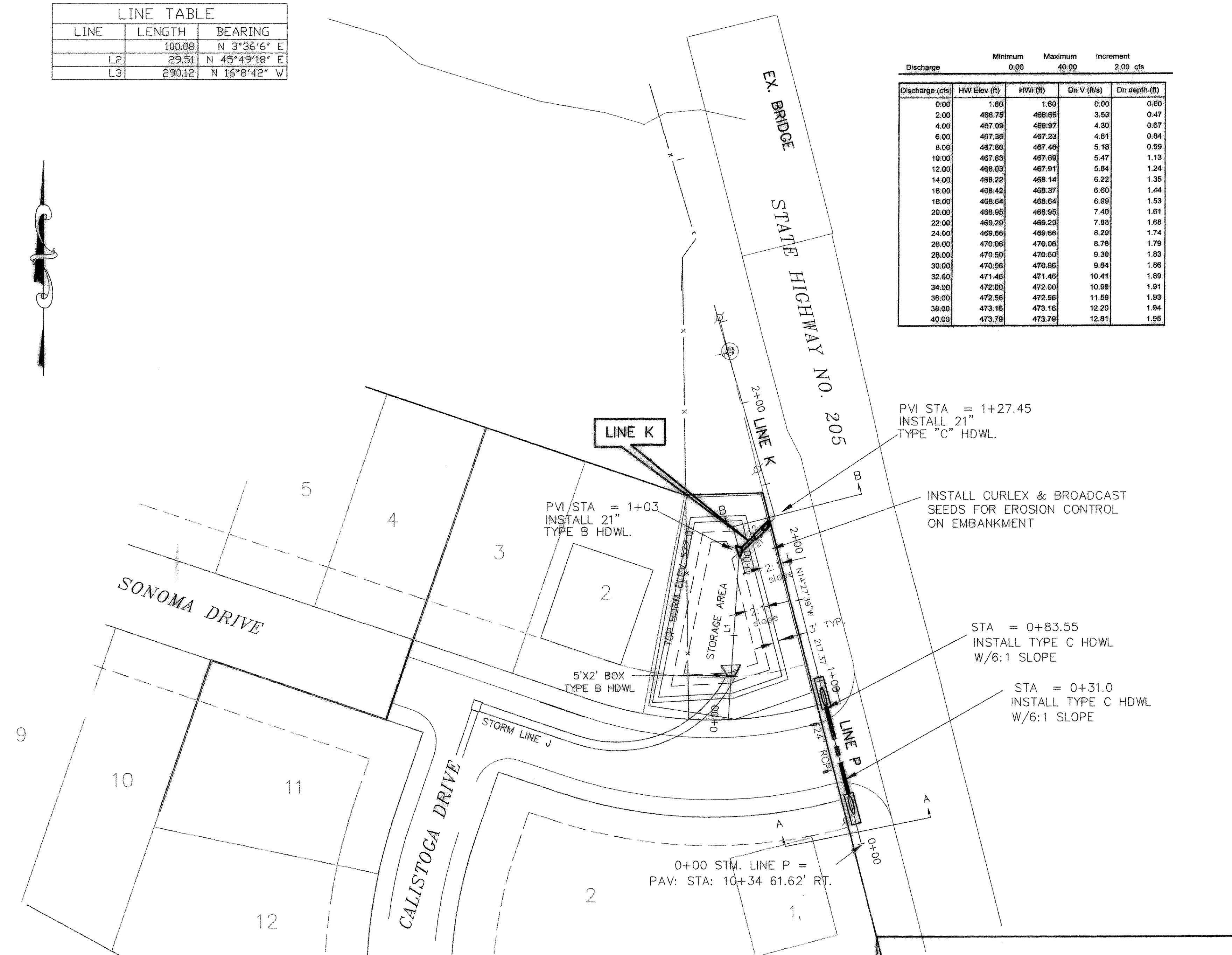
THE SEAL APPEARING ON THIS DOCUMENT WAS AUTHORIZED BY W.L. DOUPHRATE II TEXAS P.E. NO. 60102 ON 1/05/02

DOUPHRATE & ASSOCIATES, INC.
ENGINEERING - PROJECT MANAGEMENT - SURVEYING
2235 RIDGE RD., # 200 ROCKWALL, TEXAS 75087
PHONE: (972)771-9004 FAX: (972)771-9005

STORM SEWER PLAN & PROFILE
LINE K & DETENTION POND
LAKEVIEW SUMMIT, PHASE ONE
CITY OF ROCKWALL, ROCKWALL COUNTY, TEXAS

1. REVISED AS PER CITY OF ROCKWALL REVISIONS. 7/12/00

REVISION
W.L.D. CHECKED
K.E.B. DRAWN
5/24/00 DATE
9919STMF PROJECT
38 OF 42



PVI STA = 1+27.45
INSTALL 21" TYPE "C" HDWL.

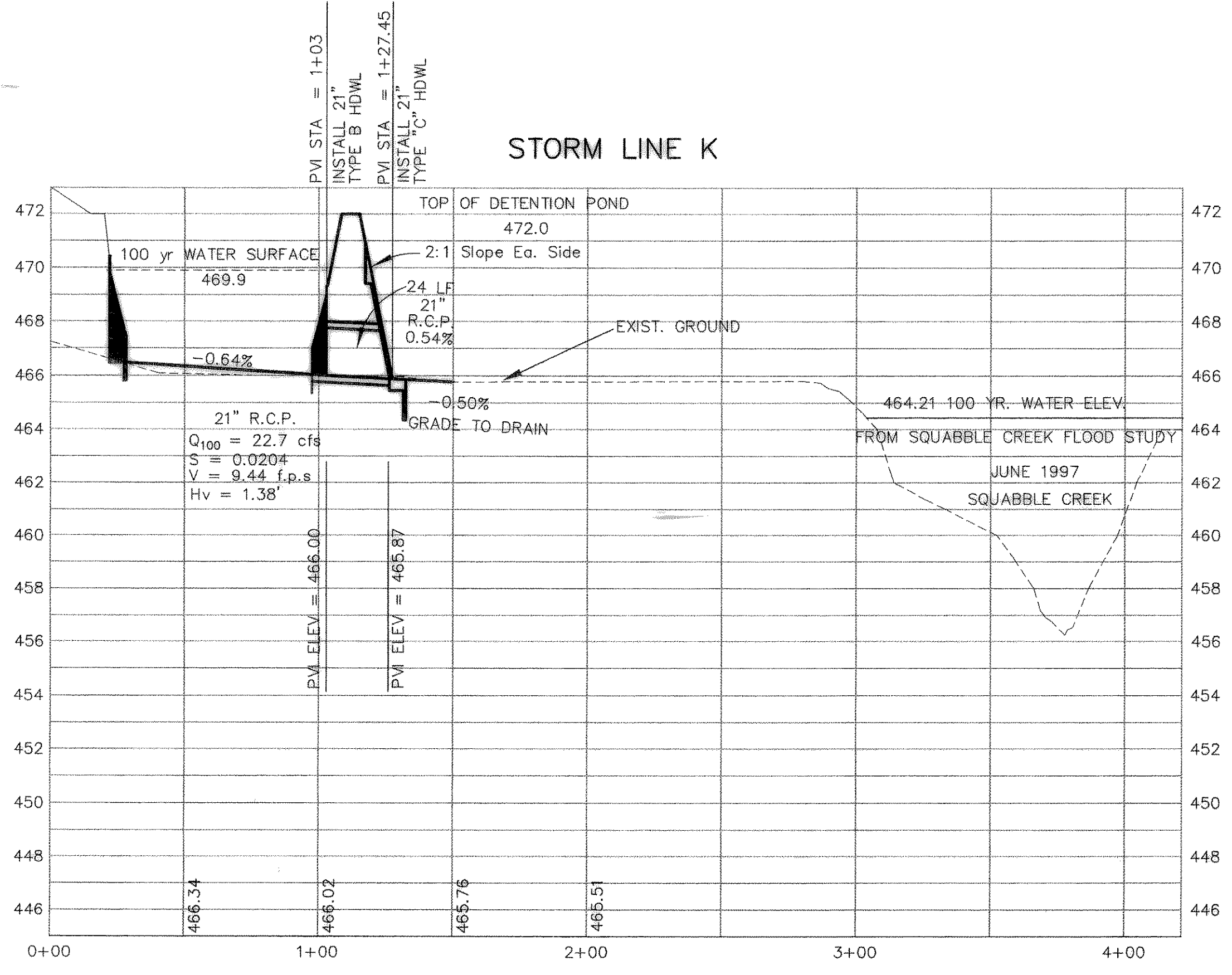
INSTALL CURLEX & BROADCAST SEEDS FOR EROSION CONTROL ON EMBANKMENT

STA = 0+83.55
INSTALL TYPE C HDWL W/6:1 SLOPE

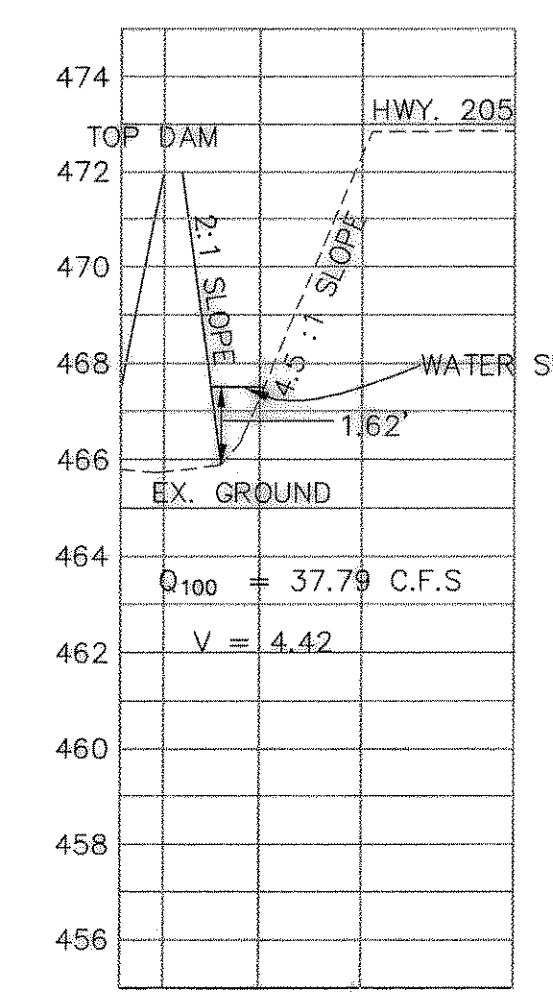
STA = 0+31.0
INSTALL TYPE C HDWL W/6:1 SLOPE

REVISED TO CONFORM TO CONSTRUCTION RECORDS.
[Signature] DATE: 11-05-2002

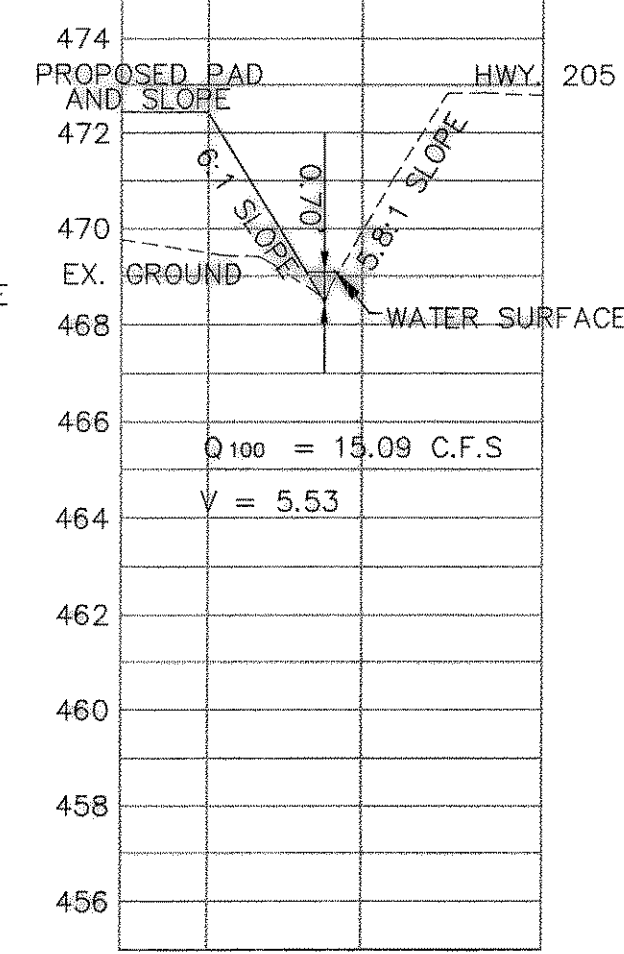
STORM LINE K



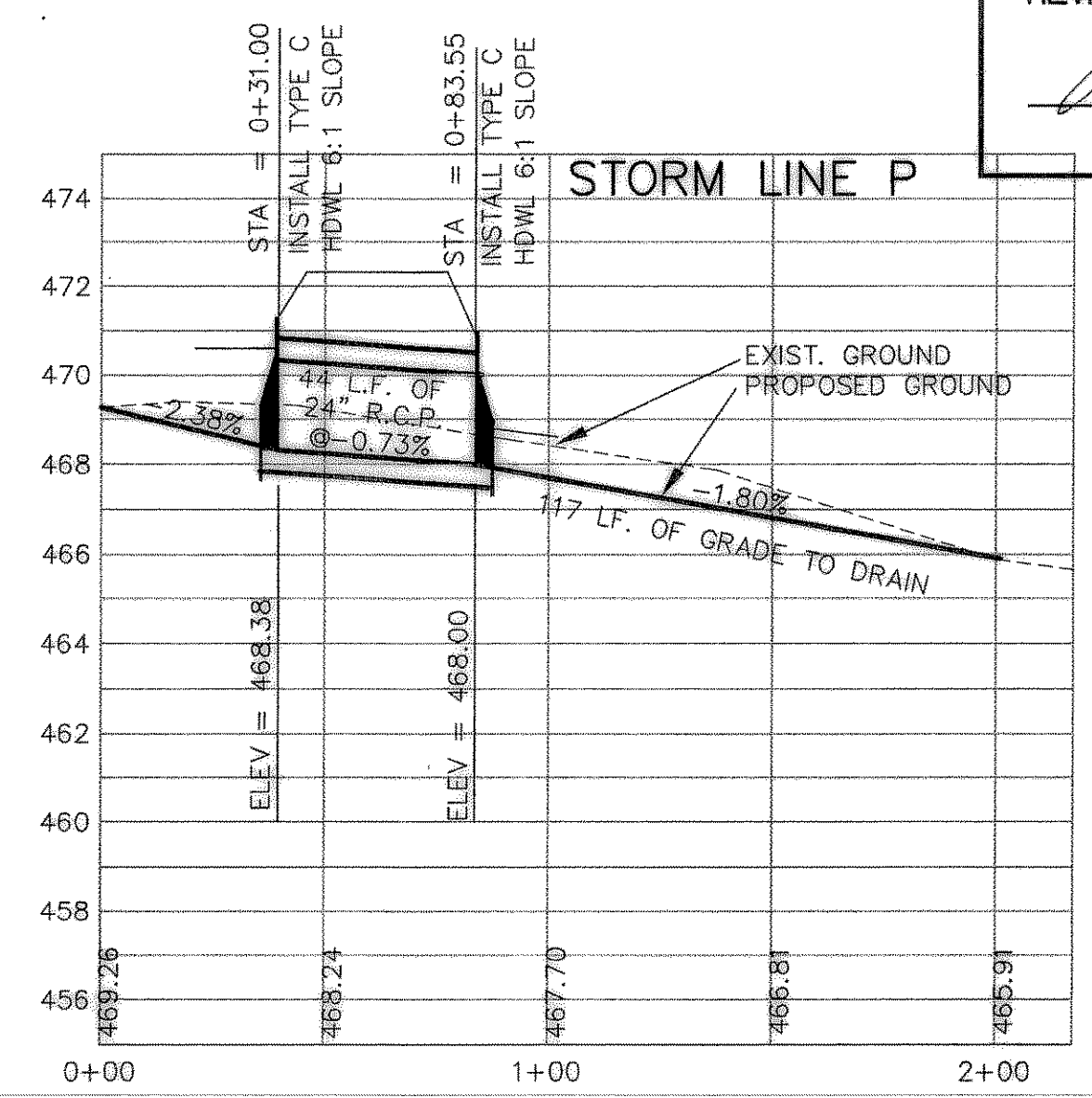
SECTION B - B



SECTION A - A



STORM LINE P



SEE SHEET 40 B FOR DETENTION POND CALCULATIONS