

INLET 14  
 CONST. (1) 15" CURB INLET  
 CL INLET = PAV: 6+49.19  
 TOP = 483.31  
 FL 18" = 479.44  
 Q 100 = 9.65  
 INLET CAP = 10.5 C.F.S.

INLET 15  
 CONST. 5' CURB INLET  
 CL INLET = PAV: 6+53.94  
 TOP = 483.22  
 FL 18" = 479.22  
 Q 100 = 1.76

CAP OF EXIST. 27" R.C.P. = 46.97 cfs

REMOVE AND DISPOSE OF 27" TYPE C HDWL  
 EXTEND 27" (19 L.F.) R.C.P. TO 5'X9' BOX  
 FL @ BOX = 475.50

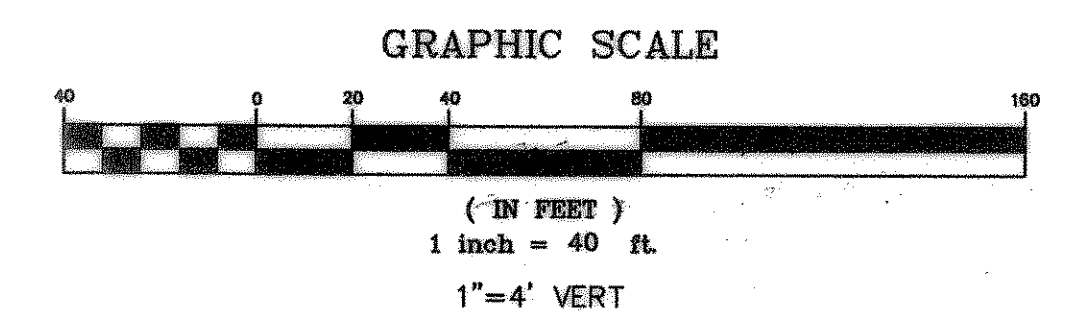
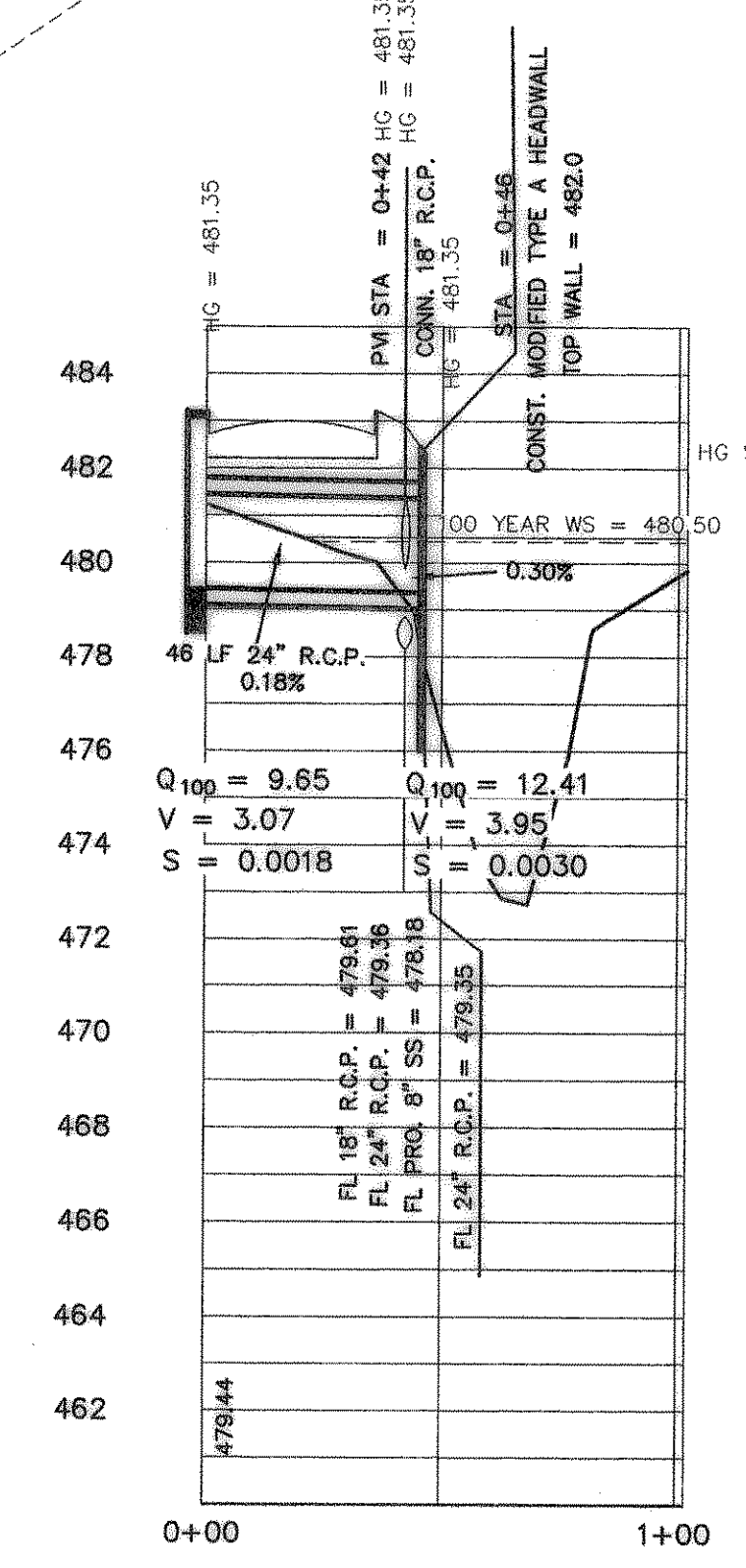
FL 5'X9' BOX = 472.92

REMOVE AND DISPOSE OF DOUBLE 5' X 9' TYPE C HDWL  
 INSTALL 30 L.F. OF DOUBLE 5' X 9' BOX.  
 INSTALL (1) 30' BEND OF DOUBLE 5' X 9' BOX.  
 INSTALL (1) MODIFIED TYPE A HEADWALL

PAV. STA: 6+61.77 26.45 RT  
 TOP TYPE A HEADWALL = 482.00  
 FL 5'X9' BOX = 472.97

PAV. STA: 6+28.73 27.70 RT  
 TOP TYPE A HEADWALL = 482.0

STORM LINE B



**RECORD DRAWINGS:**  
 THE INTENT OF THE OWNER AND ENGINEER WAS TO CONSTRUCT THESE FACILITIES ACCORDING TO THESE PLANS AS APPROVED BY THE CITY OF Rockwall. THE LINES AND GRADES WERE SET ON THE GROUND FOR CONSTRUCTION ACCORDING TO SAID PLANS. THE CITY OF Rockwall INSPECTED THE CONSTRUCTION. THE OWNER NOR ENGINEER DID NOT VERIFY LINES OR GRADES AFTER CONSTRUCTION. WE ARE NOT AWARE OF ANY CHANGES OR REVISIONS TO THESE PLANS DURING CONSTRUCTION EXCEPT AS NOTED

From	To	Length	Box Height	Width	Q100	Pipe Size (in)	V	Kj	R(ft)	R <sup>2/3</sup>	Flow Area	S	HGL Rise	HGL Number
LINE B	46.00	42	4		12.41	24	3.9502	1.0000	0.5000	0.6300	3.1416	0.0030	0.0120	491.35 Starting
Junction Loss	42.00	0	42		9.65	24	3.0717		0.5000	0.6300	3.1416	0.0018	0.0764	481.53

**DOUPHRATE & ASSOCIATES, INC.**  
 ENGINEERING • PROJECT MANAGEMENT • SURVEYING  
 2235 RIDGE RD., # 200 ROCKWALL, TEXAS 76087  
 PHONE: (972)771-9004 FAX: (972)771-9005

**STORM SEWER PLAN & PROFILE**  
**LINE B**  
 LAKEVIEW SUMMIT, PHASE ONE  
 CITY OF ROCKWALL, ROCKWALL COUNTY, TEXAS

1. REVISED AS PER CITY OF ROCKWALL REVISIONS 7/3/00

REVISION	DATE
W.L.D. CHECKED	
K.E.B. DRAWN	
5/23/00	
0919 STMA	
PROJECT	