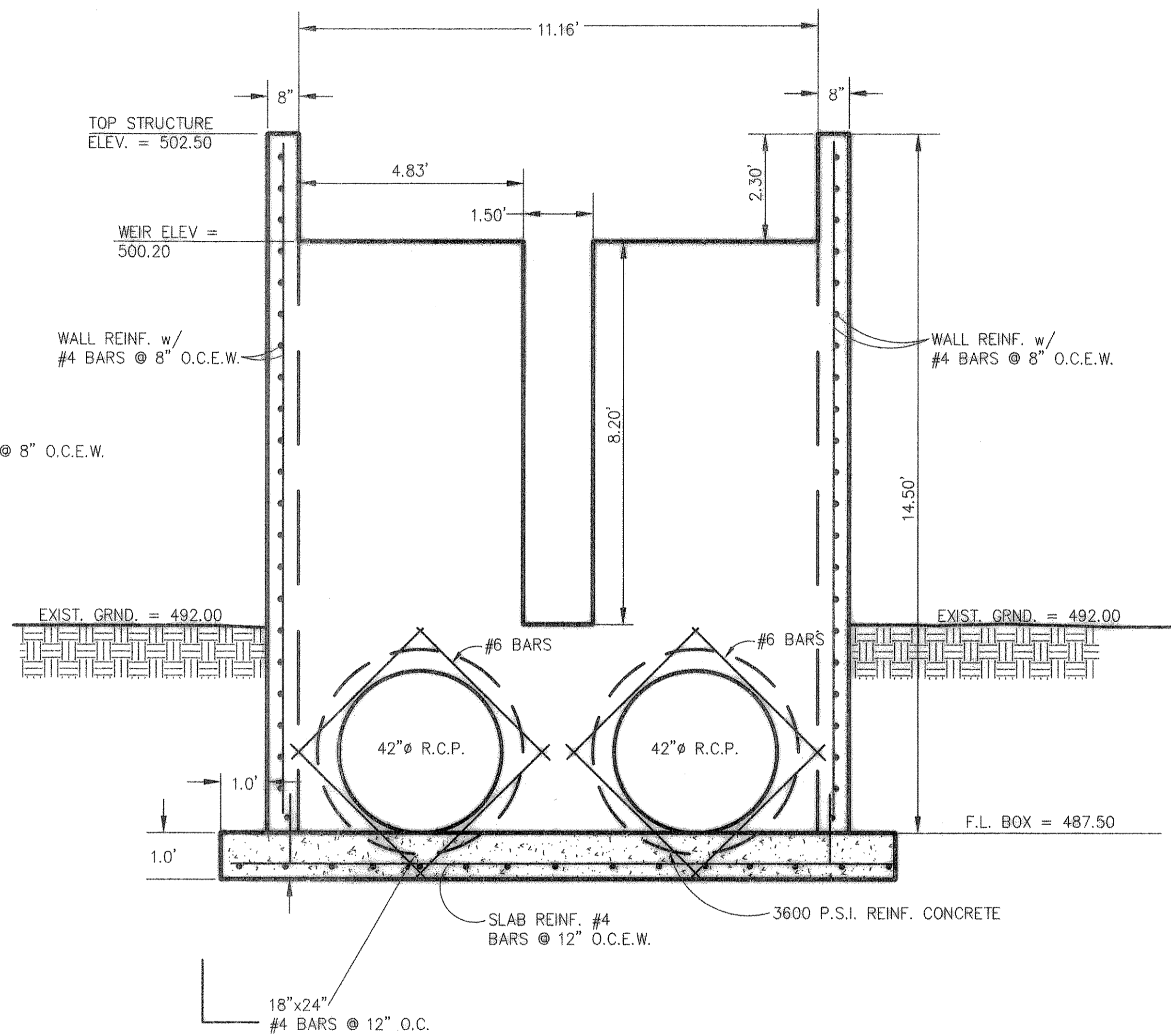


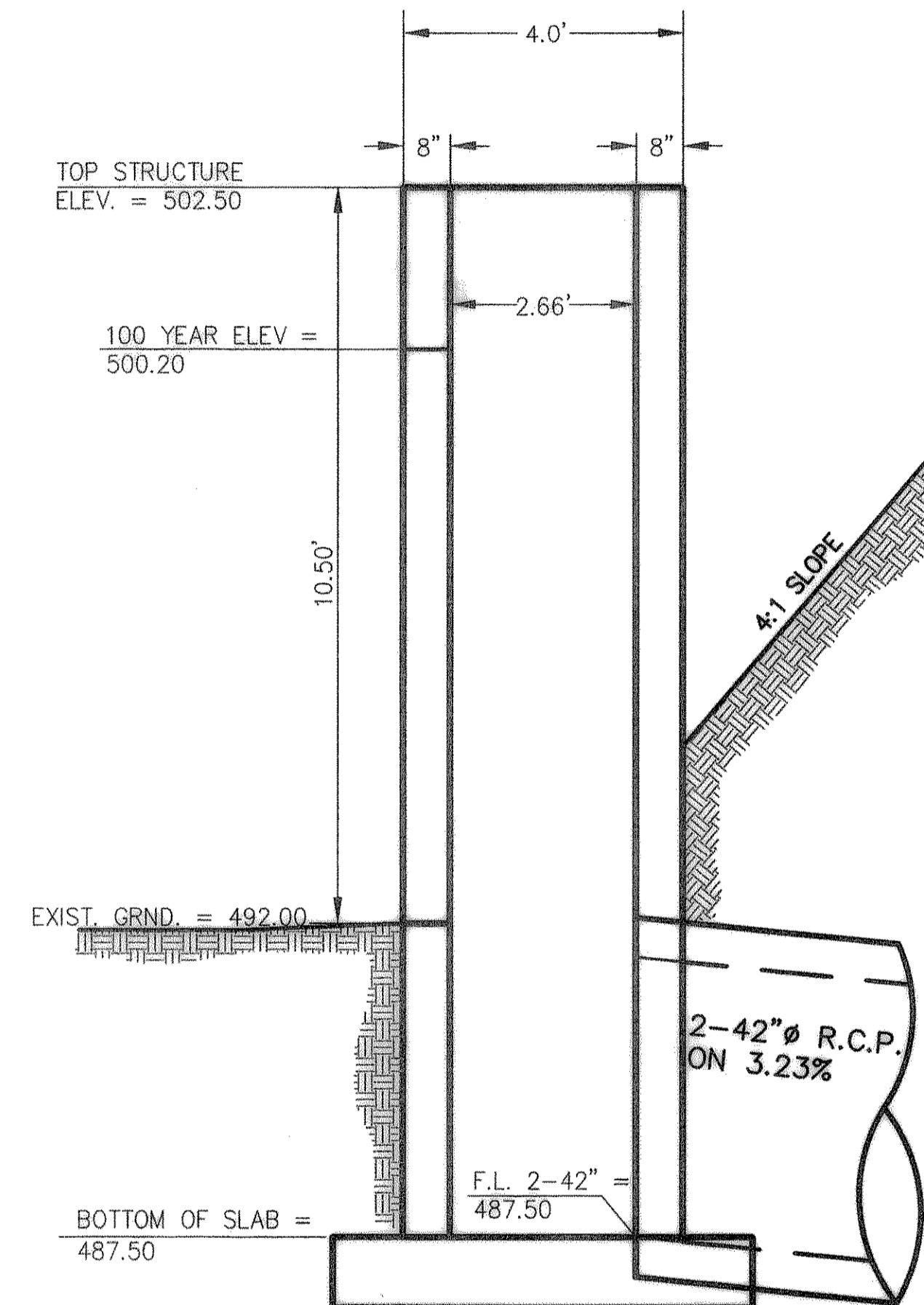
OUTFLOW STRUCTURE PLAN VIEW

SCALE: 1" = 2'



SECTION "A-A"

SCALE: 1" = 2'

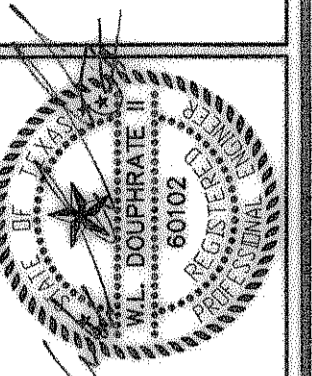


SECTION "B-B"

SCALE: 1" = 2'

RECORD DRAWINGS:

THE INTENT OF THE OWNER AND ENGINEER WAS TO CONSTRUCT THESE FACILITIES ACCORDING TO THESE PLANS AS APPROVED BY THE CITY OF Rockwall. THE LINES AND GRADES WERE SET ON THE GROUND FOR CONSTRUCTION ACCORDING TO SAID PLANS. THE CITY OF Rockwall INSPECTED THE CONSTRUCTION. THE OWNER NOR ENGINEER DID NOT VERIFY LINES OR GRADES DURING CONSTRUCTION. WE ARE NOT AWARE OF ANY CHANGES OR REVISIONS TO THESE PLANS DURING CONSTRUCTION EXCEPT AS NOTED



THE SEAL APPEARING ON THIS DOCUMENT WAS AUTHORIZED BY WILL DOUPHRATE, LICENSE NO. 60102 ON 4/29/00

DOUPHRATE & ASSOCIATES, INC.
 ENGINEERING - PROJECT MANAGEMENT - SURVEYING
 2231 RIDGE RD., # 200 ROCKWALL, TEXAS 75087
 PHONE: (972)771-9004 FAX: (972)771-9005

OUTFLOW DETAILS POND No.2
LAKEVIEW SUMMIT, PHASE ONE
 CITY OF ROCKWALL
 CITY OF ROCKWALL, ROCKWALL COUNTY, TEXAS

REVISION	W.L.D.
CHECKED	
DRAWN	B.W.H.
DATE	4/15/00
PROJECT	9919DET2-A