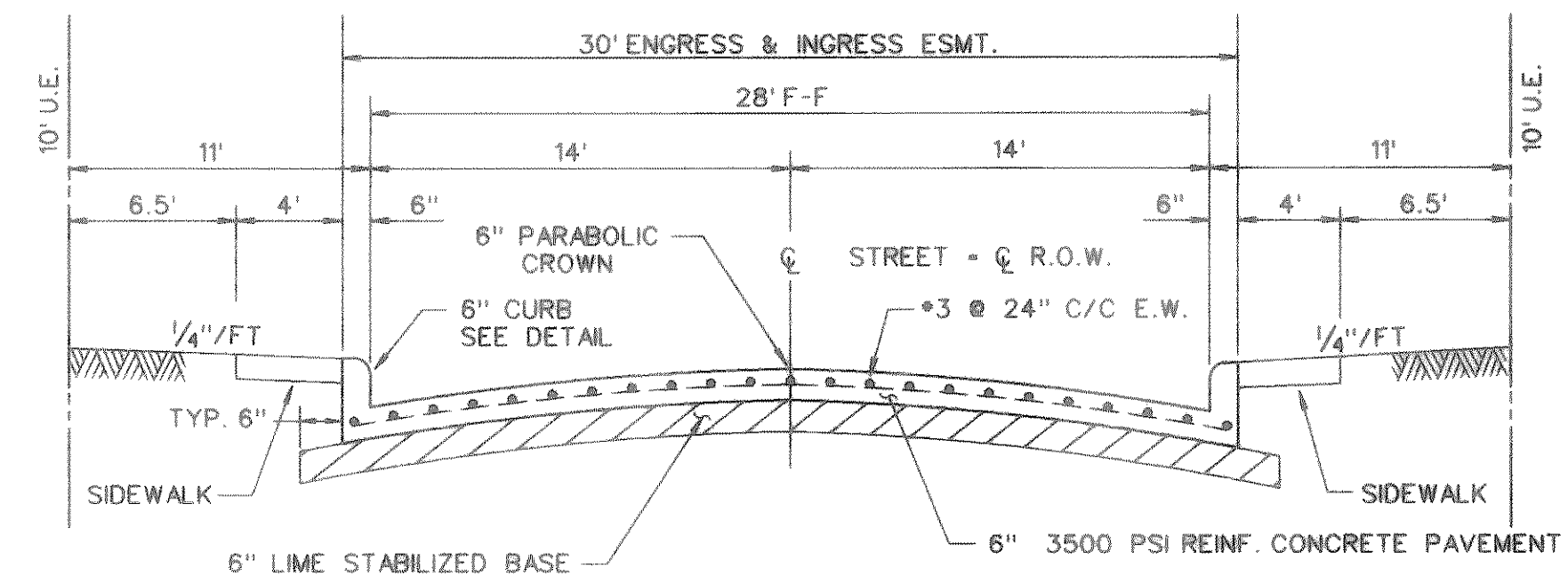
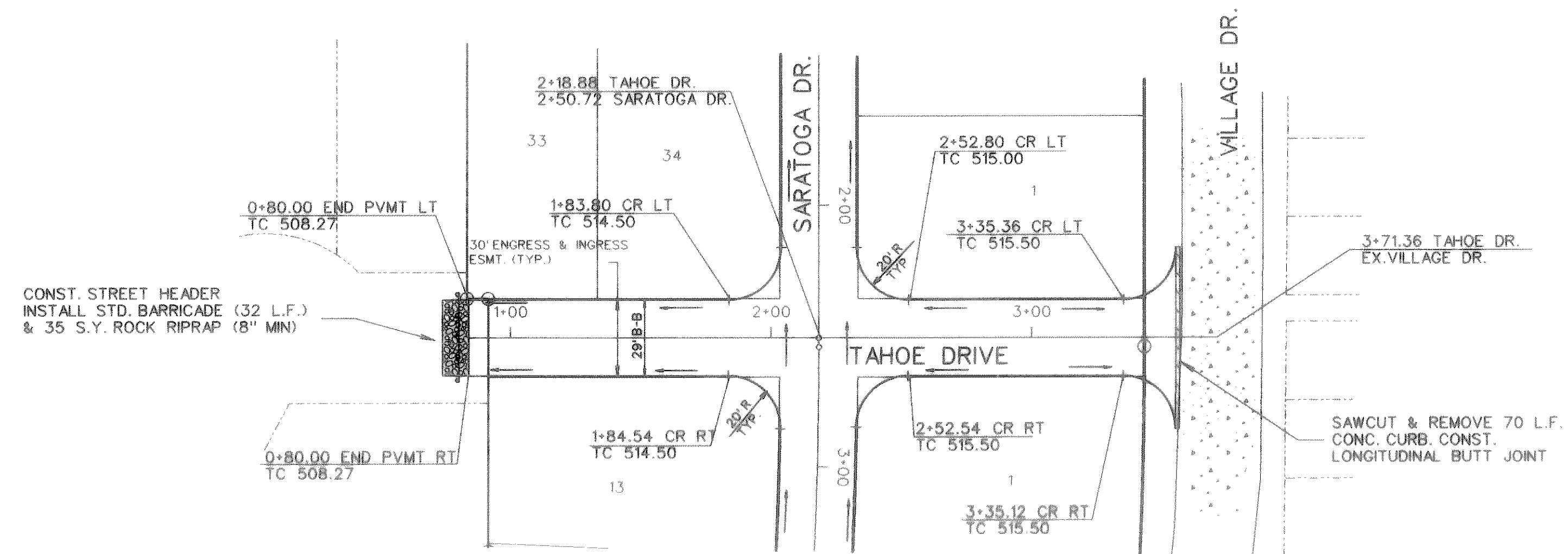
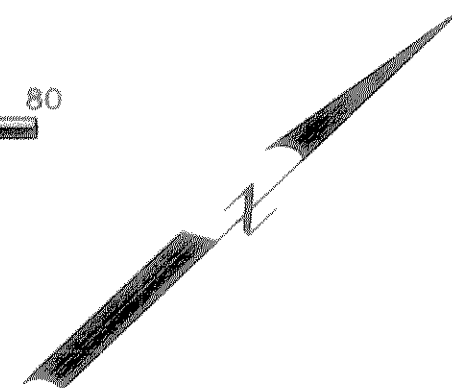
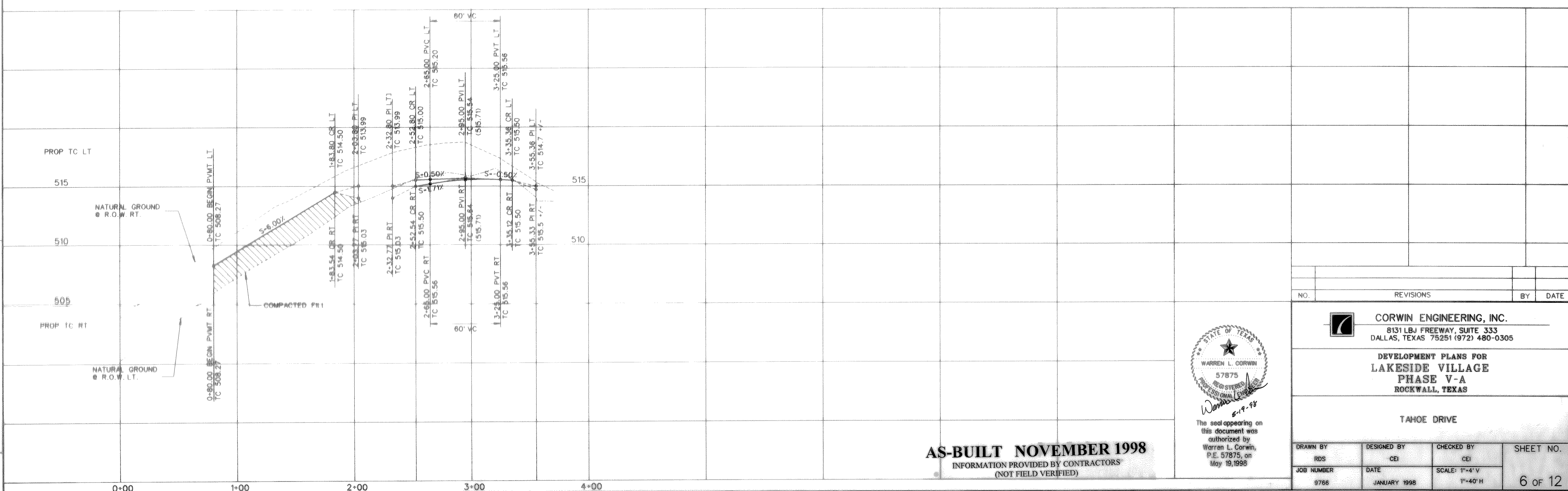
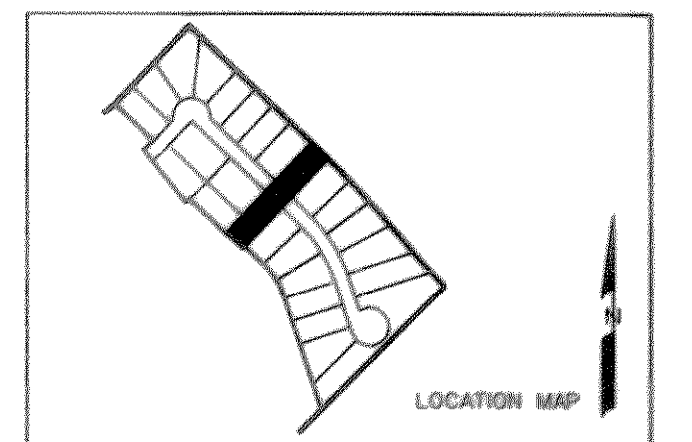


0 20 40 80
SCALE: 1" = 40'

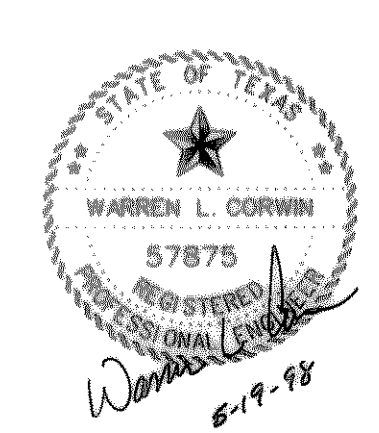


LOCAL RESIDENTIAL
N.T.S.

BENCHMARKS:
"□" found on the top of curb of the northwest corner of railroad bridge @ Lakeside Drive.
ELEVATION = 506.23



NO.	REVISIONS	BY	DATE



The seal appearing on this document was authorized by Warren L. Corwin, P.E. 57875, on May 19, 1998

AS-BUILT NOVEMBER 1998
INFORMATION PROVIDED BY CONTRACTORS
(NOT FIELD VERIFIED)

CORWIN ENGINEERING, INC.
8131 LBJ FREEWAY, SUITE 333
DALLAS, TEXAS 75251 (972) 480-0305

DEVELOPMENT PLANS FOR
LAKE SIDE VILLAGE
PHASE V-A
ROCKWALL, TEXAS

TAHOE DRIVE

DRAWN BY RDS	DESIGNED BY CEI	CHECKED BY CEI	SHEET NO. 6 OF 12
JOB NUMBER 9766	DATE JANUARY 1998	SCALE: 1"=4'-V 1"=40'-H	

FILE: 9766ENR.DGN
REF FILE:
VIEW:
DATE: