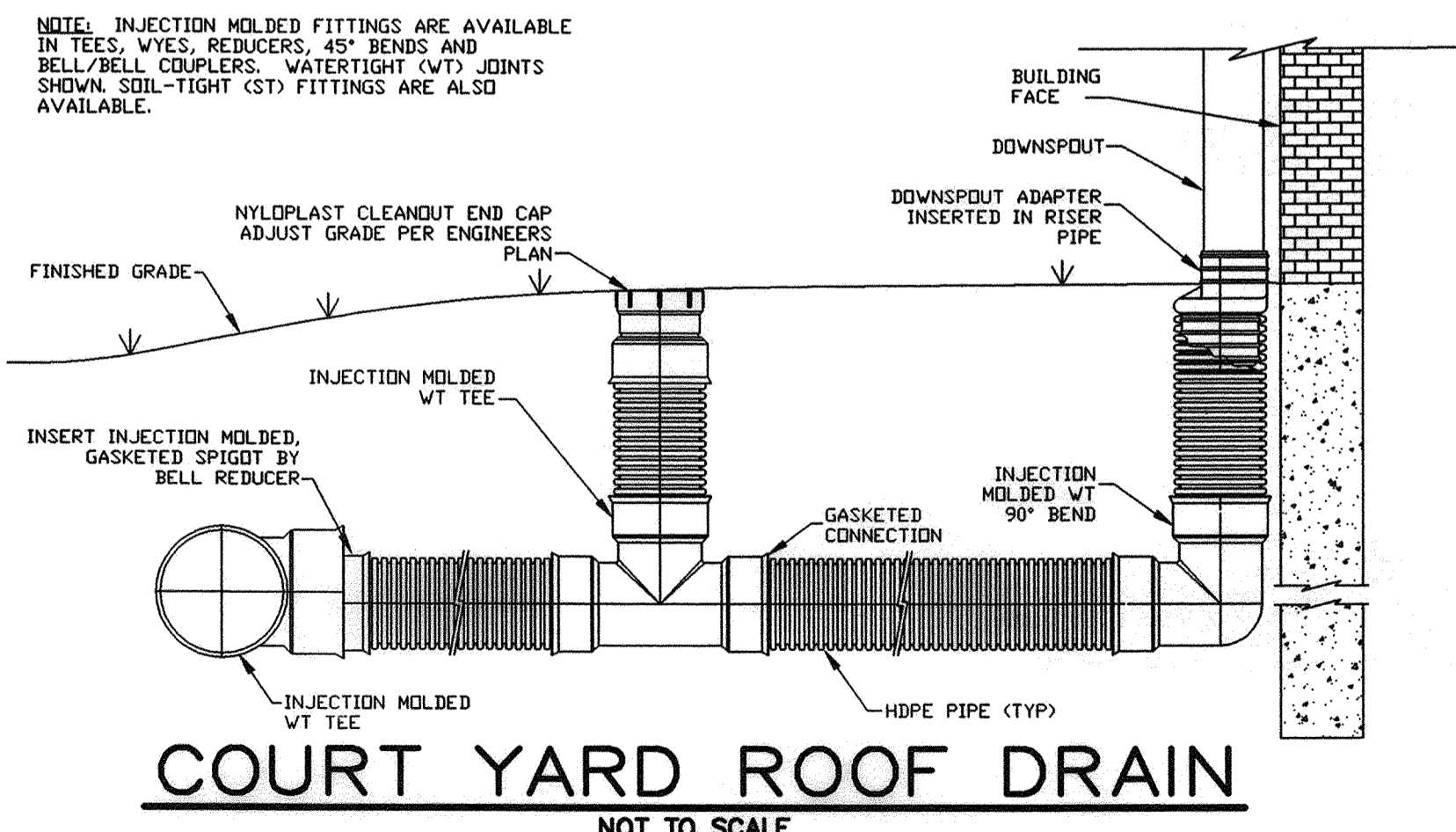
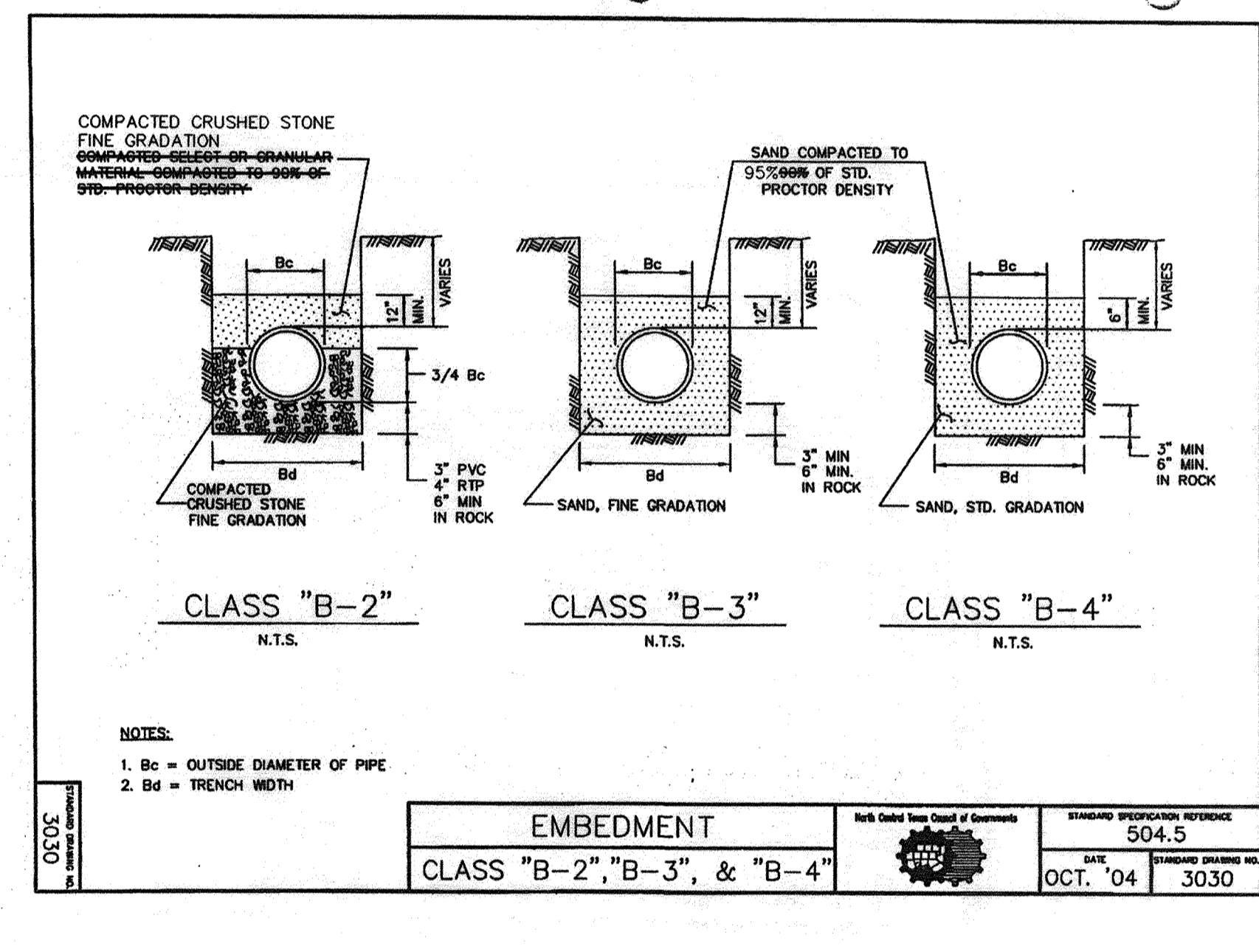
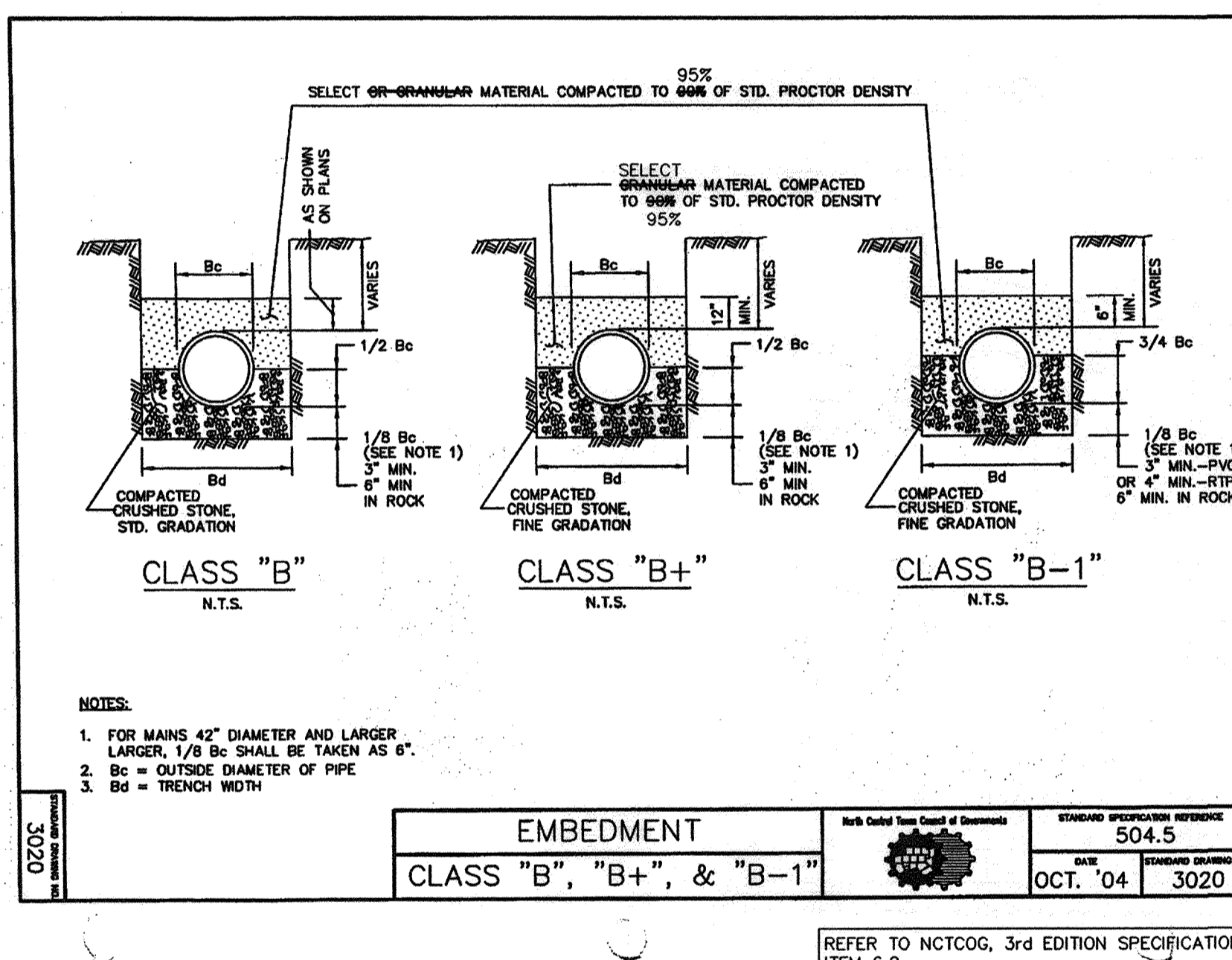
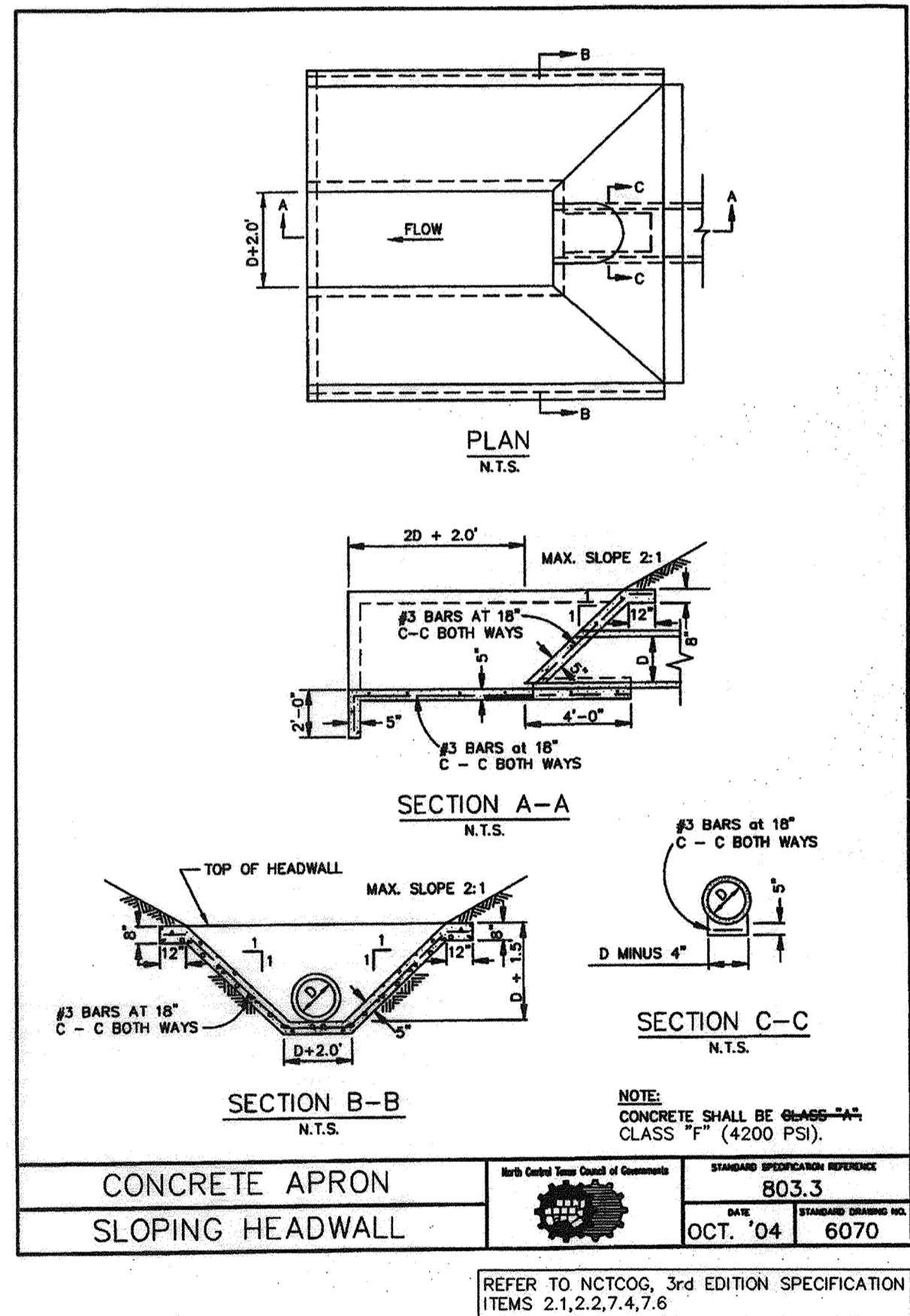


PIPE MATERIAL	EMBEDMENT
RCP	CLASS "B"
PVC WATER	CLASS "B-3"
PVC STORM & SANITARY SEWER	CLASS "B-2"



RECORD DRAWINGS:
IT WAS THE INTENT THAT THE IMPROVEMENTS SHOWN BE CONSTRUCTED ACCORDING TO THESE PLANS AS APPROVED BY THE CITY. THE LINES AND GRADES WERE SET ON THE GROUND FOR CONSTRUCTION ACCORDING TO SAID PLANS. THE CITY INSPECTED THE CONSTRUCTION. THE ENGINEER DID NOT VERIFY LINES OR GRADES AFTER CONSTRUCTION. WE ARE NOT AWARE OF ANY CHANGES OR REVISIONS TO THESE PLANS DURING CONSTRUCTION OTHER THAN THOSE SHOWN. DATE: MARCH 4, 2013.

DRAWN: WTW, DATE: 09-01-2011, PI NUMBER: 1483-11-027

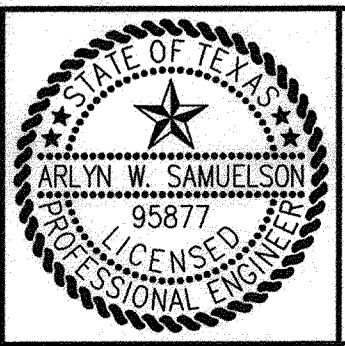
03-04-13	RECORD DRAWINGS		
04-30-12	REVISED DUMPSTER DRAIN		
02-28-12	REVISED WATER TAP		
02-09-12	ADDED DETAILS FOR FIRE LINE		
10-31-11	CITY COMMENTS		
08-16-11	CITY COMMENTS		
DESIGN	DRAWN	DATE	PI NUMBER
AWS	WTW	09-01-2011	1483-11-027

PROJECT INFORMATION
LAKESIDE REHABILITATION CENTER
BLOCK C, LOT 6, HORIZON RIDGE MEDICAL PARK
CITY OF ROCKWALL, TEXAS
EDWARD TEAL SURVEY, ABSTRACT NO. 207
PROPOSED USE: NURSING & REHABILITATION CENTER

DEVELOPER
SMITHERS MERCHANT BUILDERS, LP
21726 HARDY OAK BOULEVARD
SAN ANTONIO, TEXAS 78258
MR. DAVID FRICK
(210) 479-2500 PHONE
(210) 479-2507 FAX

THE SEAL APPEARING ON THIS DOCUMENT WAS AUTHORIZED BY ARLYN W. SAMUELSON, P.E. 96671 ON 09-21-2011 ALTERATION OF A SEALED DOCUMENT WITHOUT PROPER NOTIFICATION TO THE RESPONSIBLE ENGINEER IS AN OFFENSE UNDER THE TEXAS ENGINEERING PRACTICE ACT.

Arlyn W. Samuelson 09-21-11



POGUE
ENGINEERING & DEVELOPMENT COMPANY, INC.
1512 BRAY CENTRAL DRIVE
SUITE 100
MCKINNEY, TEXAS 75069
(214) 544-8880 PHONE
(214) 544-8882 FAX
www.PogueEngineering.com

STORM SEWER DETAILS
LAKESIDE REHABILITATION CENTER
BLOCK C, LOT 6, HORIZON RIDGE MEDICAL PARK
EDWARD TEAL SURVEY, ABSTRACT NO. 207
CITY OF ROCKWALL, TEXAS

SHEET NO. C5.03