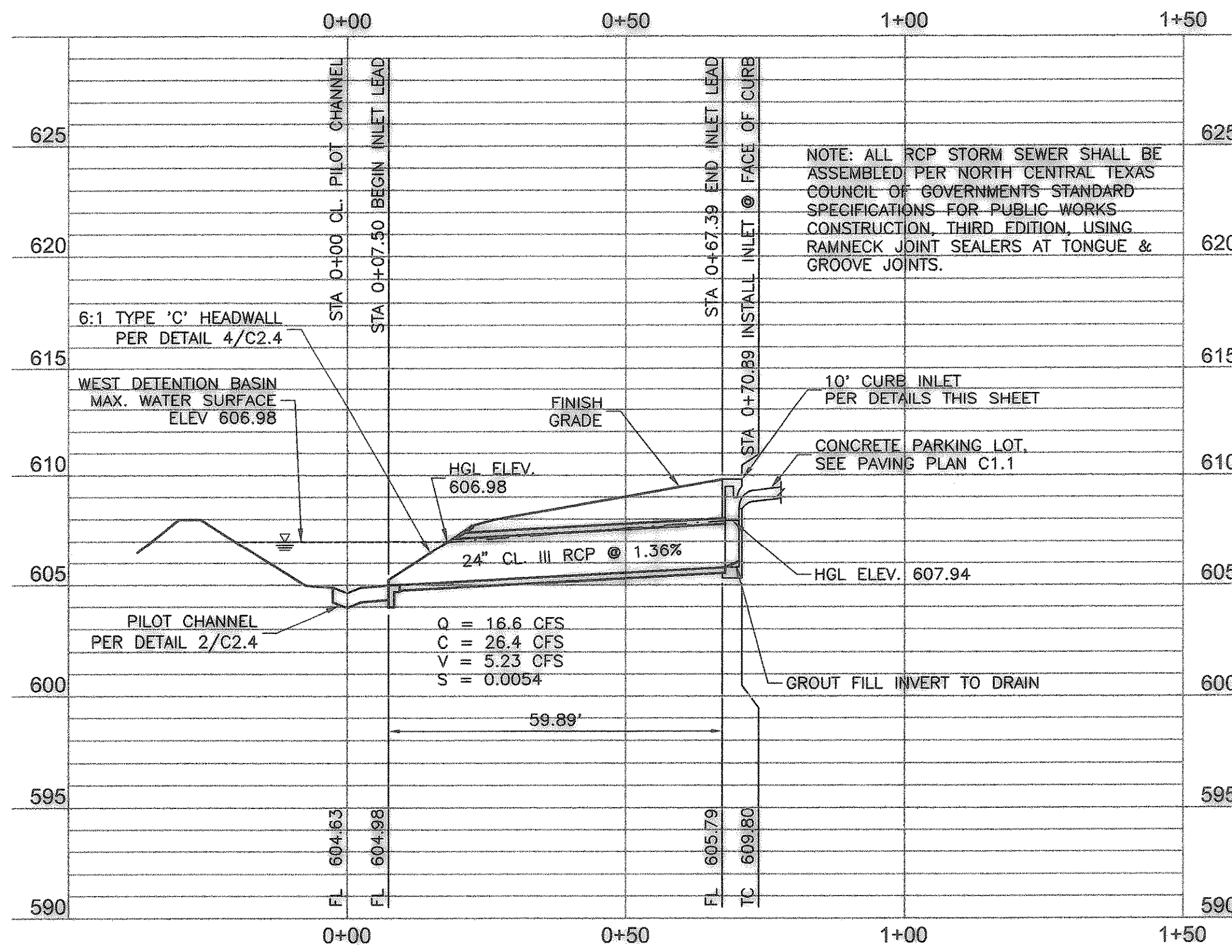
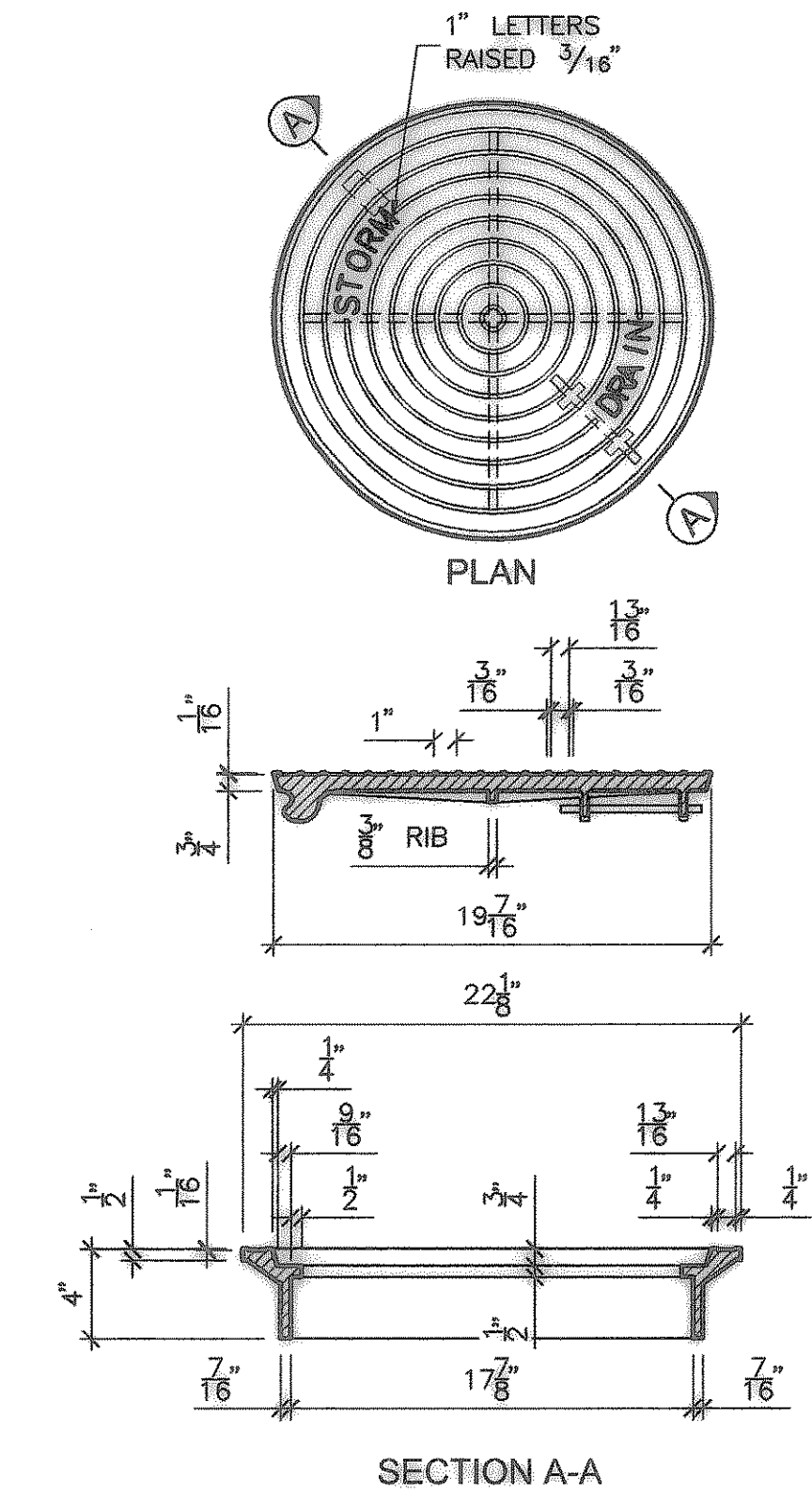


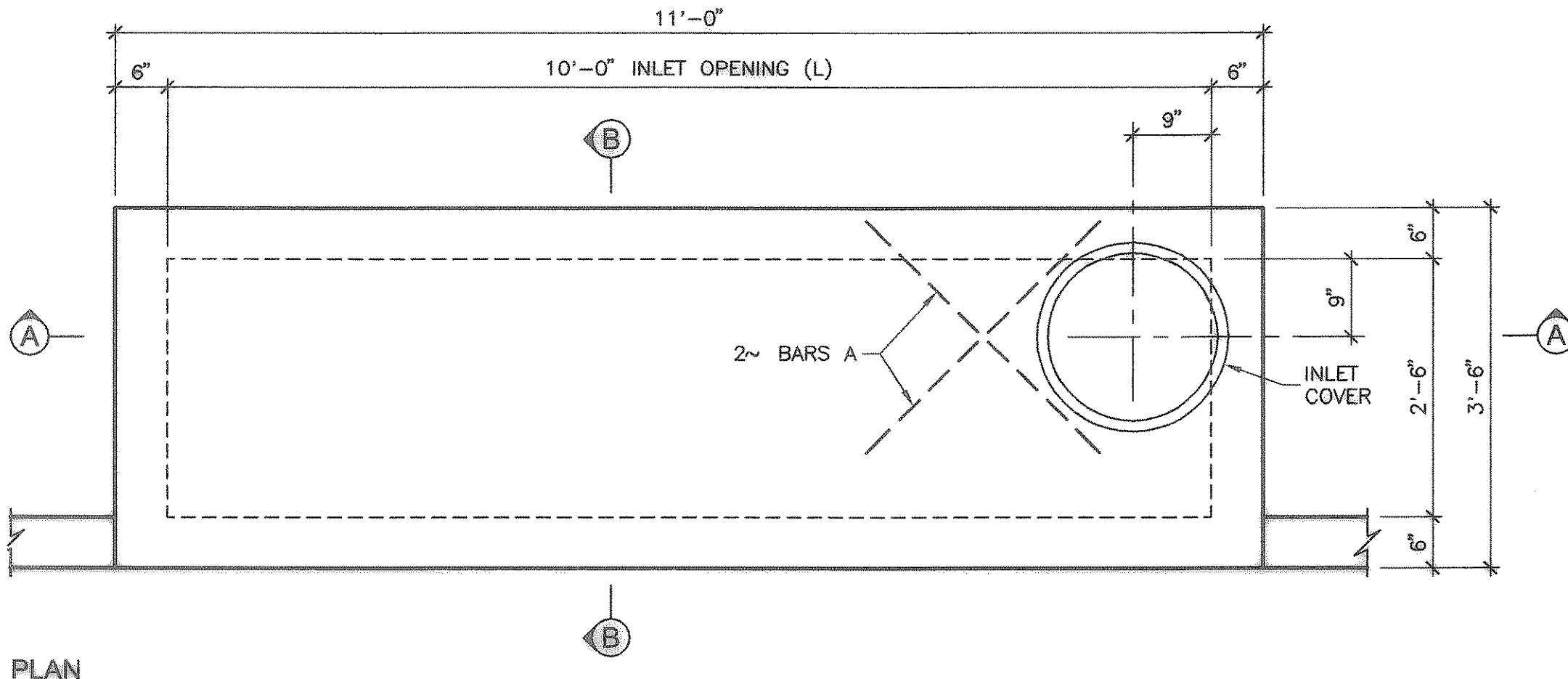
① INLET LEAD @ SOUTH END OF WEST DETENTION BASIN
1"=20' HORIZONTAL 1"=5' VERTICAL



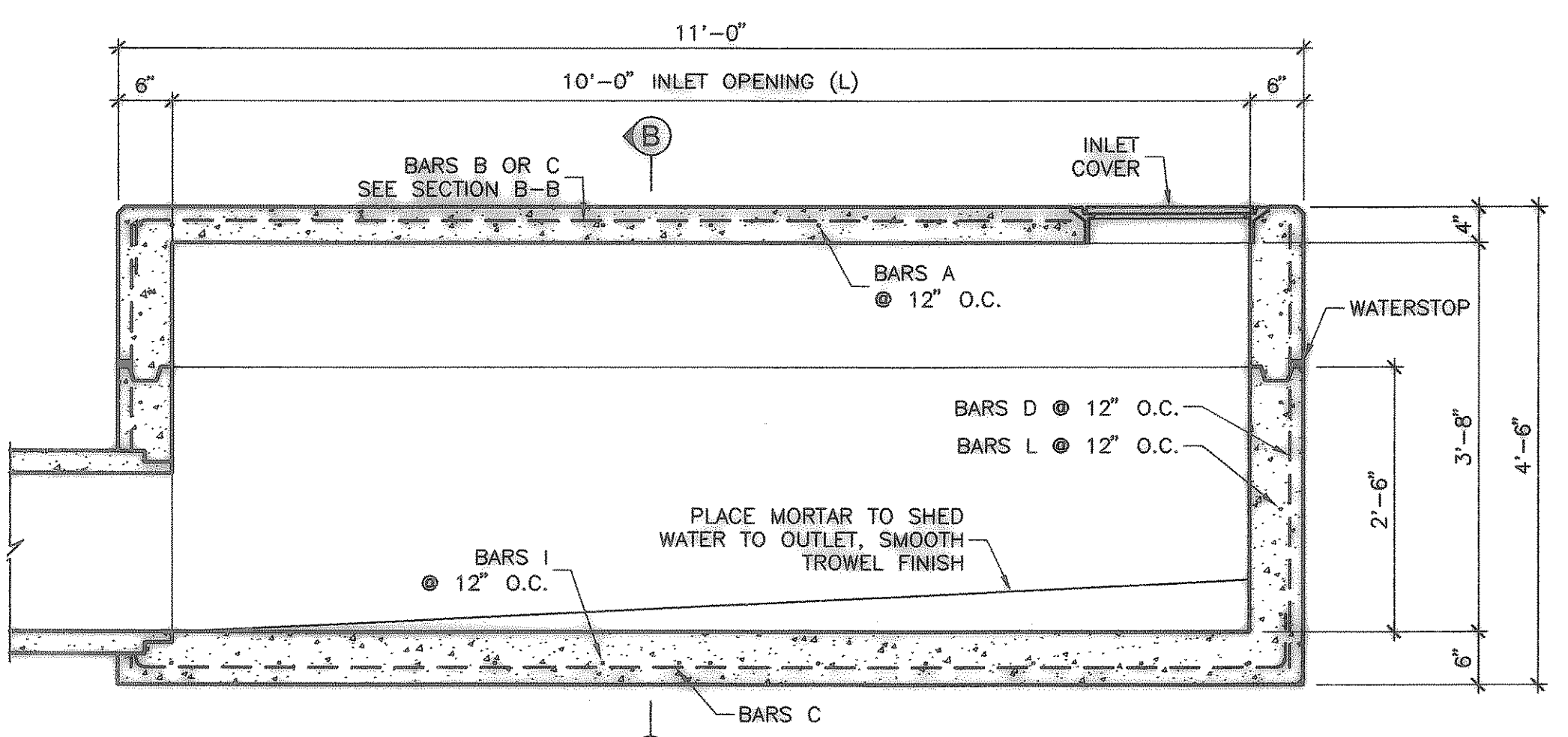
② INLET LEAD @ NORTH END OF WEST DETENTION BASIN
1"=20' HORIZONTAL 1"=5' VERTICAL



③ INLET COVER & FRAME
1 1/2"=1'-0"



PLAN

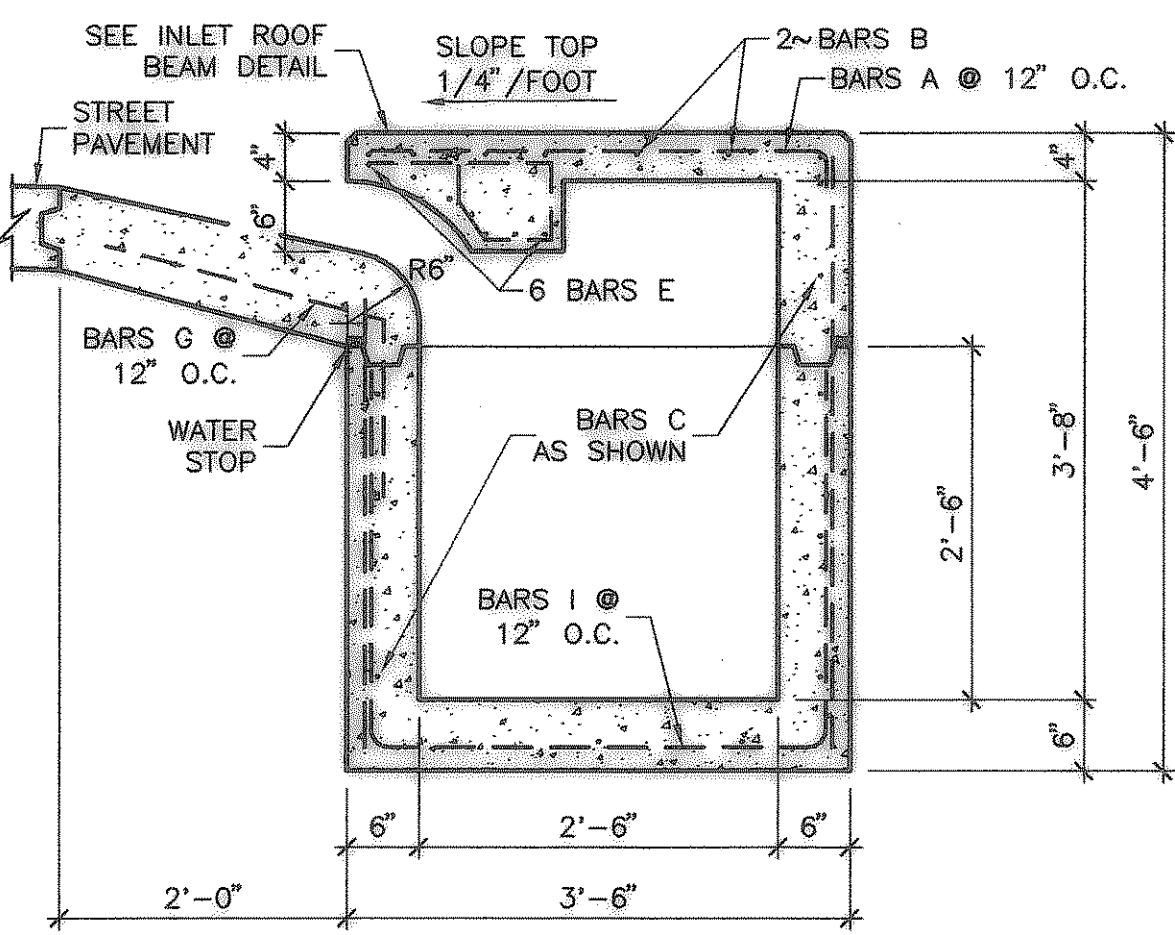
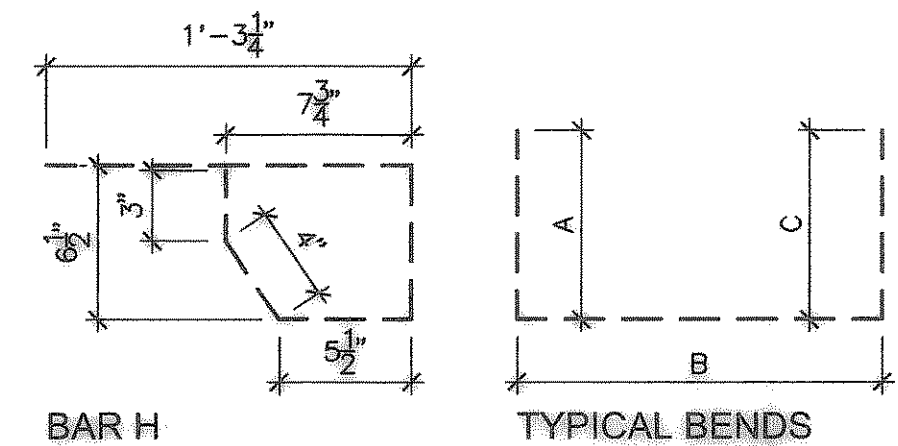


NOTE: PIPE MAY BE PLACED IN ANY WALL, BUT SHALL NOT ENTER ANY CORNER OR BOTTOM.

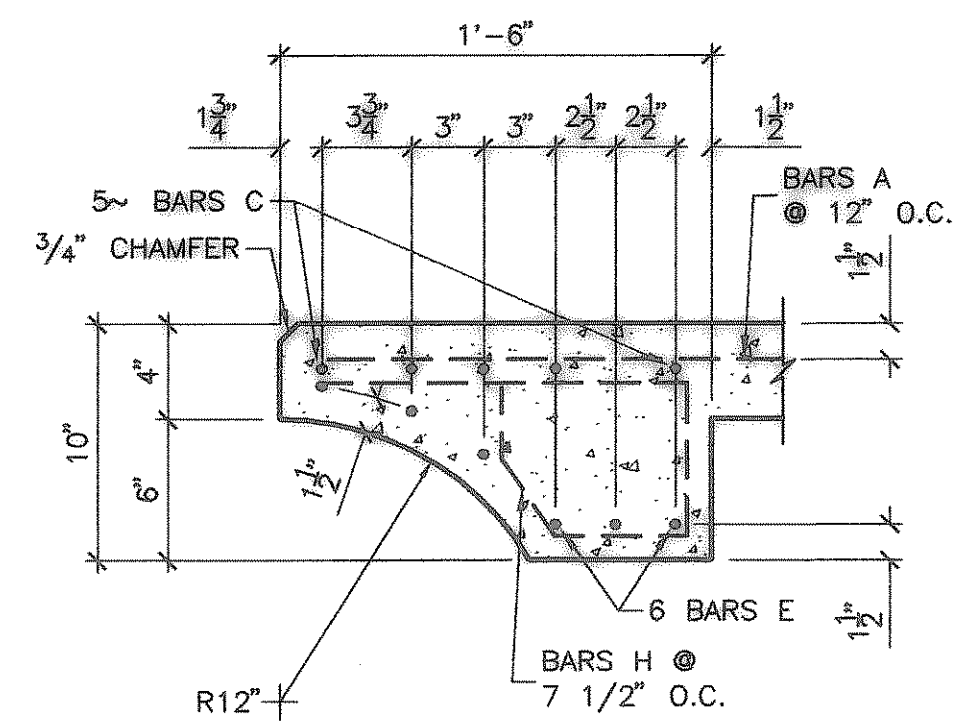
SECTION A-A

⑥ 10-FOOT CURB INLET
3/4"=1'-0"

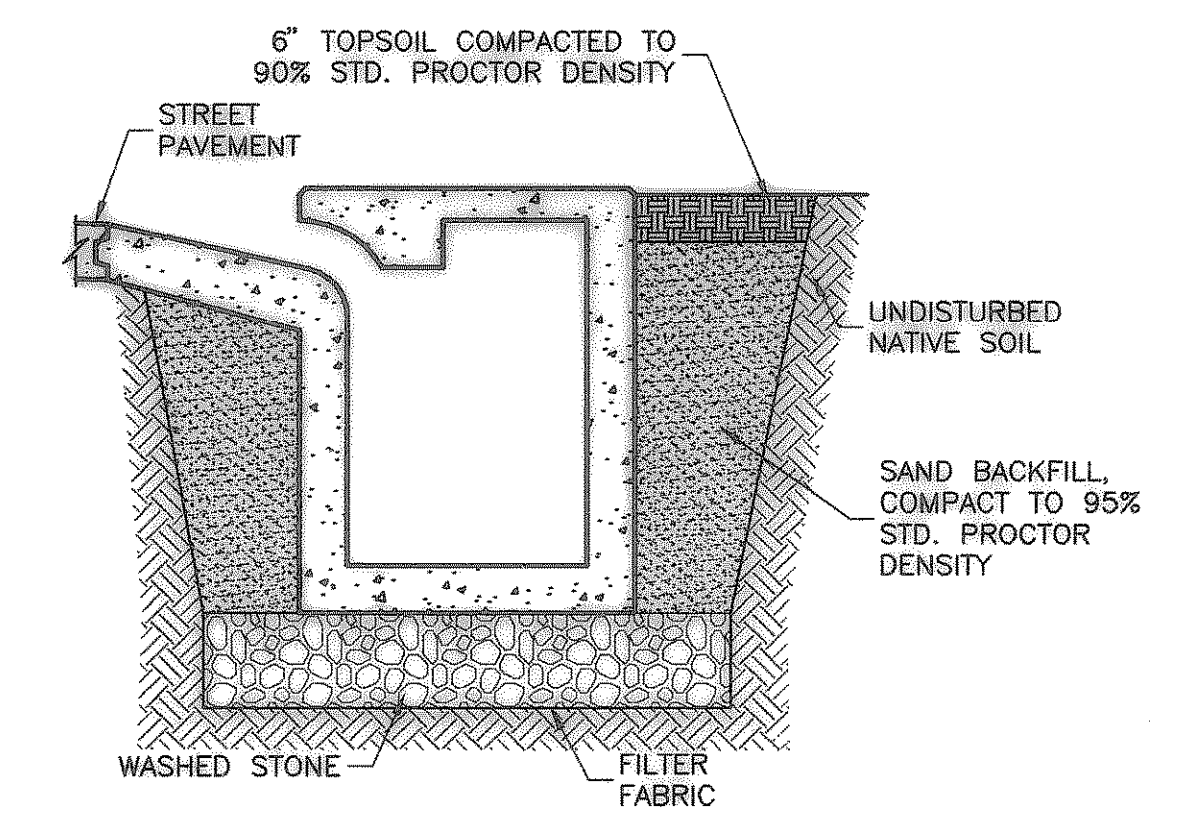
10-FOOT INLET REINFORCING STEEL						
OPENING LENGTH (L)	BAR TYPE	BAR DIA. (1/8")	No. REQ'D (EA)	BAR DIMENSIONS		
10'-0"	A	3	10	3'-2"	3'	---
	B	3	2	8'-10"	---	---
	C	4	16	10'-8"	6"	---
	D	4	4	4'-2"	---	---
	E	5	6	10'-8"	---	---
	F	4	1	2'-0"	---	---
	G	3	10	2'-0"	1'-3"	---
	H	3	15	*	*	*
	I	4	11	4'-2"	3'-2"	3'-2"
	L	4	5	3'-2"	6"	---



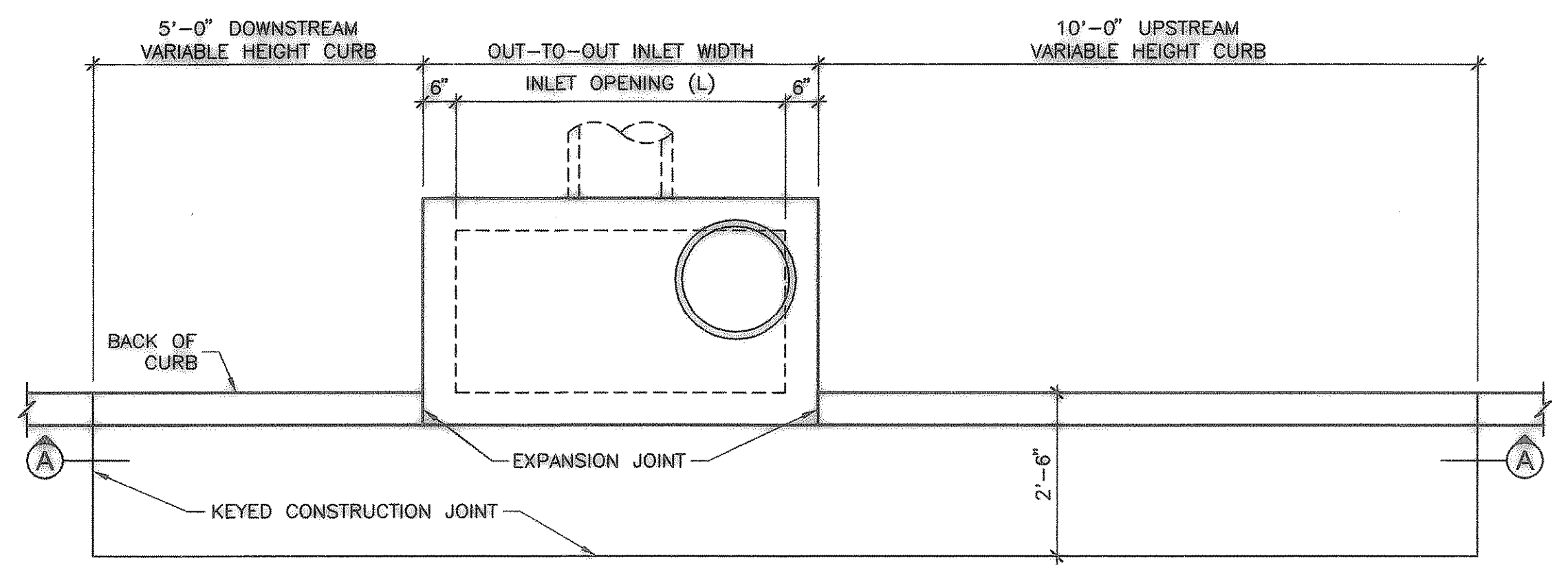
SECTION B-B



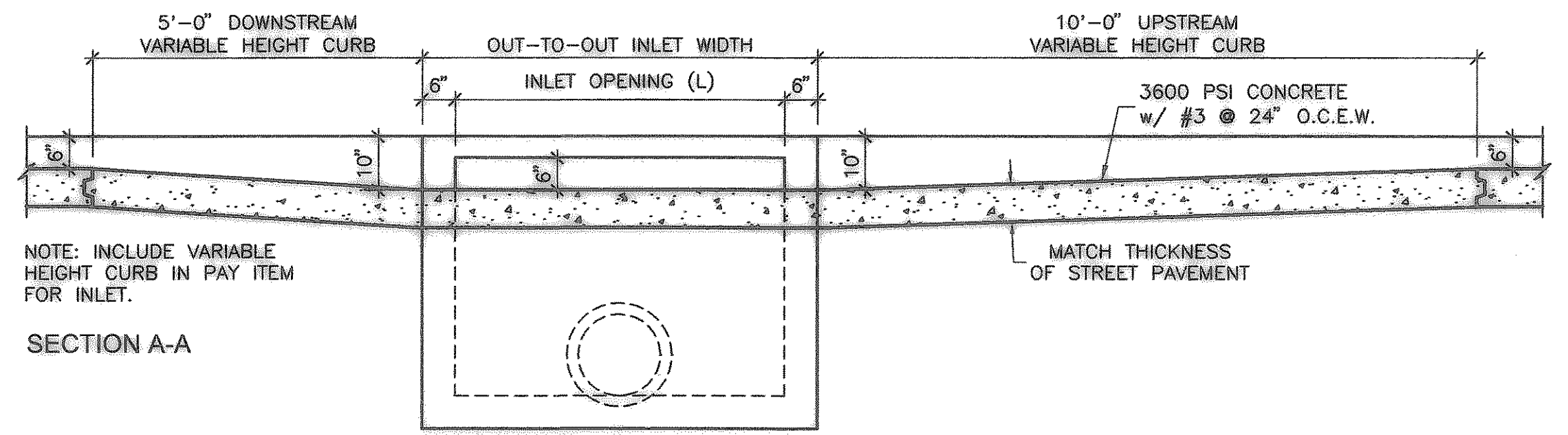
④ INLET ROOF BEAM
1 1/2"=1'-0"



⑤ INLET EMBEDMENT
1/2"=1'-0"

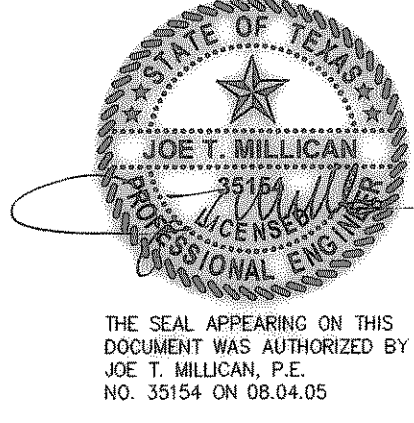


PLAN

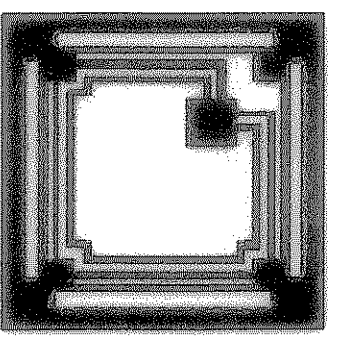


SECTION A-A

⑦ INLET VARIABLE HEIGHT CURB
1 1/2"=1'-0"



Revisions:



HALLUM ARCHITECTS, INC.
2501 PARKVIEW DRIVE SUITE 430
FORT WORTH, TEXAS 76102
PHONE: 817.332.2422 FAX: 817.338.1949
email: info@hallumarch.com

Rockwall Lakeside Church of Christ
New Auditorium and Education Facilities
485 North FM 549, Rockwall, Texas 75087

DRAINAGE DETAILS
RECORD DRAWING
(ALL REVISIONS ARE BASED UPON NOTES AND COMMENTS ARE LISTED BY DRAWING DATE CONSTRUCTION CO., LTD.)

Date: 8-4-2005
Scale: AS NOTED
Drawn: FMI
Job: 2002-10
Sheet Number:

C2.5